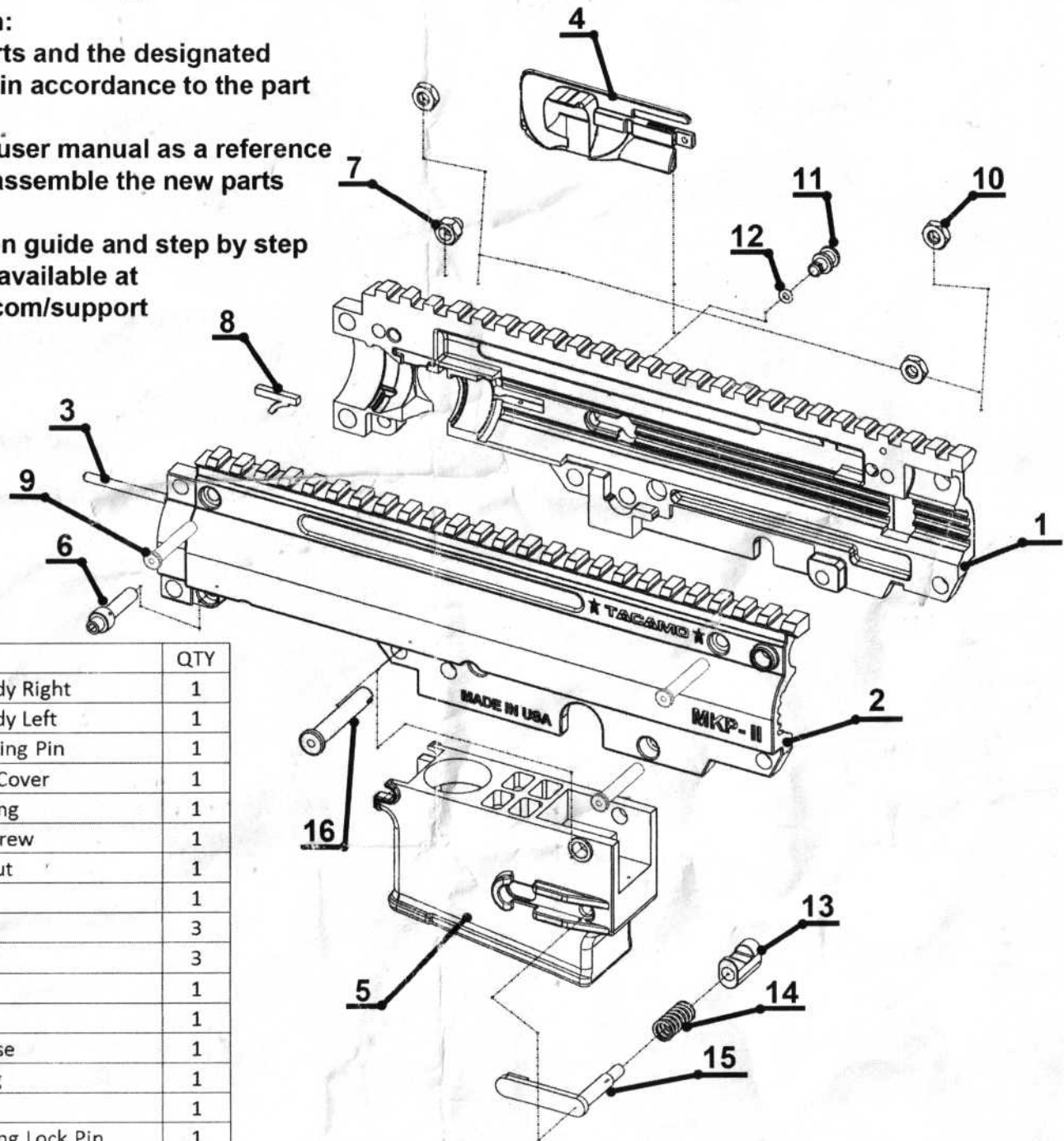


MKP-II Parts Diagram

Installation Information:

1. Verify that all the parts and the designated quantities are supplied in accordance to the part list table.
2. Use your Tippmann user manual as a reference to disassemble and reassemble the new parts provided.
3. Additional installation guide and step by step installation videos are available at www.tacamopaintball.com/support



PART NO.	DESCRIPTION	QTY
PT-1	MKP-II Main Body Right	1
PT-2	MKP-II Main Body Left	1
PT-3	Feed Cover Locking Pin	1
PT-4	Magazine Feed Cover	1
PT-5	Magazine Housing	1
PT-6	Magazine Set Screw	1
PT-7	Magazine Set Nut	1
PT-8	Ball Detent	1
PT-9	Body Screw	3
PT-10	Nut-1	3
PT-11	Air Plug	1
PT-12	Air Plug O-ring	1
PT-13	Magazine Release	1
PT-14	Magazine Spring	1
PT-15	Magazine Latch	1
PT-16	Magazine Housing Lock Pin	1