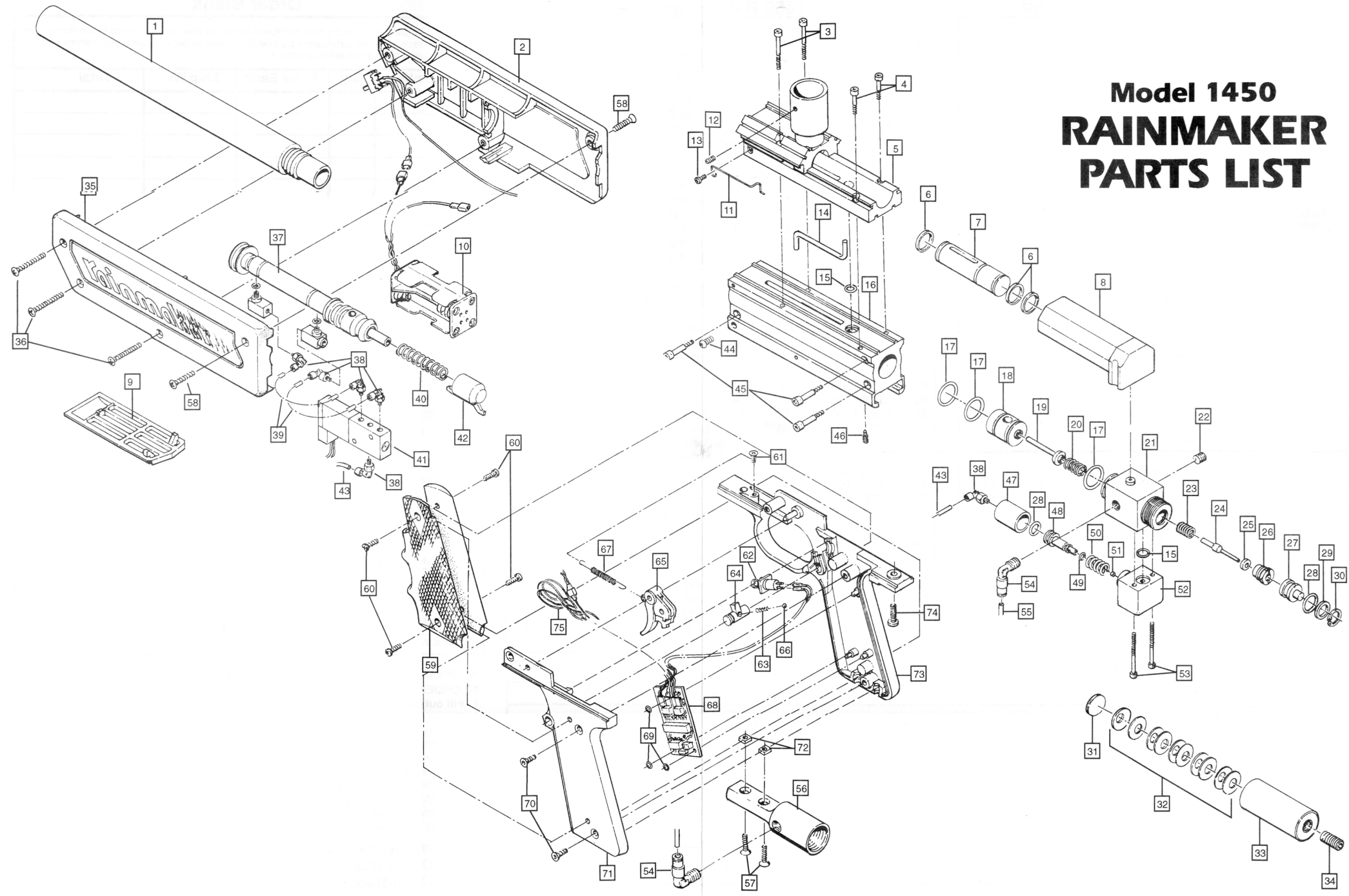


# Model 1450 RAINMAKER PARTS LIST



## Model 1450 Rainmaker Parts List

Item No.	Part No.	Shipping Wt. (lbs.)	Description	Qty.	Price
1	137770-100	0.34	Barrel	1	\$15.00
2	137821-000	0.11	Right Foregrip	1	\$4.00
3	137826-000	0.01	1 1/8" Mtg. Screw	2	\$1.00
4	137827-000	0.01	1/2" Mtg. Screw	2	\$0.50
5	164238-000	0.32	Upper Rec. Assy.	1	\$100.00
6	137841-000	0.01	Bolt O-rings	3	\$1.00
7	137784-000	0.05	Bolt	1	\$12.00
8	164240-000	0.16	Bolt Cover Assy.	1	\$20.00
9	137794-000	0.02	Foregrip Door	1	\$1.50
10	164246-000	0.02	Battery Holder Assy.	1	\$6.00
11	137825-000	0.01	Ball Stop	1	\$1.00
12	137829-000	0.01	Port Set Screw	1	\$0.25
13	137828-000	0.01	Ball Stop Screw	1	\$0.25
14	137780-000	0.01	Bolt Link	1	\$0.50
15	136959-000	0.01	Interface O-ring	1	\$0.50
16	164239-000	0.60	Lower Receiver Assy.	1	\$100.00
17	137842-000	0.01	Valve Body Regulator O-ring	3	\$0.50
18	137790-000	0.10	Valve Body	1	\$7.00
19	164234-000	0.01	Valve Stem Assy.	1	\$3.00
20	137813-000	0.01	Valve Shaft Spring	1	\$0.50
21	164241-000	0.13	Regulator Housing Assy.	1	\$30.00
22	137836-000	0.01	Set Screw Plug	1	\$0.50
23	137811-000	0.01	Regulator Shaft Spring	1	\$0.50
24	137792-000	0.01	Regulator Shaft	1	\$3.00
25	137804-000	0.01	Regulator Seat Seal	1	\$1.25
26	137781-000	0.01	Regulator Seat	1	\$3.00
27	137782-000	0.02	Sensor Piston	1	\$3.00
28	132759-000	0.01	Piston O-ring, Large	1	\$0.50
29	137807-000	0.01	Regulator Piston Ring	1	\$0.50
30	137839-000	0.01	Retaining Ring	1	\$0.50
31	137783-000	0.01	Sensor Disk	1	\$2.00
32	137840-000	0.03	Bell Springs	10	\$2.00
33	137796-000	0.06	Regulator Spring Cover	1	\$10.00
34	137837-000	0.01	Regulator Adj. Screw	1	\$0.50
35	137822-000	0.11	Foregrip, LH	1	\$1.50
36	137638-000	0.01	Foregrip Screw	1	\$0.50
37	164236-000	0.24	Air Cylinder Assy.	1	\$120.00
38	137817-000	0.01	Low Press. Elbows		\$2.00 each
39	137820-000	0.01	3" Low Press. Hose		\$0.25 each
40	137815-000	0.01	Hammer Spring	1	\$0.50
41	164247-000	0.14	MAC Valve Assy.	1	\$150.00

## Model 1450 Rainmaker Parts List

Item No.	Part No.	Shipping Wt. (lbs.)	Description	Qty.	Price
42	164237-000	0.04	Hammer Assy.	1	\$10.00
43	137819-000	0.01	8" Low Press. Hose	1	\$0.50
44	137830-000	0.01	Grip Frm Mtg. Screw	1	\$0.25
45	137832-000	0.02	Receiver Mtg. Screws	3	\$0.50
46	137834-000	0.01	Valve Set Screw	1	\$0.50
47	137797-000	0.02	Low Pressure Cover	1	\$4.00
48/51	137793-000	0.02	Low Press. Piston w/Seal	1	\$3.50
49	137843-000	0.01	Piston O-ring, Small	1	\$0.25
50	137812-000	0.01	Low Pressure Spring	1	\$0.50
52	137778-100	0.05	Low Pressure Housing	1	\$10.00
53	137833-000	0.01	7/8" L. Press. Bottom Screws	2	\$0.50
54	137844-000	0.04	Swivel Elbow		\$5.00 each
55	137824-000	0.01	Micro-Line Hose	1	\$1.50
56	137711-000	0.10	Bottom Line Adaptor	1	\$12.00
57	137835-000	0.01	Bottom Line Mtg. Screws	2	\$0.50
58	137889-000	0.01	Foregrip screw	2	\$0.50
59	137890-000	0.07	Rubber Grip	1	\$10.00
60	135110-000	0.01	Rubber Grip Screws	4	\$1.00
61	133410-000	0.01	Trigger Spring Screw	1	\$0.25
62	137787-000	0.01	Spacer, Trigger	1	\$1.50
63	131013-000	0.01	Safety Spring	1	\$0.25
64	137534-000	0.01	Safety	1	\$0.75
65	137801-000	0.01	Trigger	1	\$1.00
66	131601-000	0.01	Detent Ball	1	\$0.25
67	136912-000	0.01	Trigger Spring	1	\$0.25
68	137798-000	0.03	Circuit Board	1	\$150.00
69	137072-000	0.01	Circuit Board Mtg. O-ring	3	\$0.25
70	137530-000	0.01	Grip Frame Screws	2	\$0.50
71	137803-000	0.24	Left Grip Frame	1	\$5.00
72	137539-000	0.01	Bottom-Line Mtg. Nuts	2	\$0.25
73	137802-000	0.39	Right Grip Frame	1	\$7.50
74	137658-000	0.01	Frame Mtg. Screw	1	\$0.75
75	137795-000	0.03	Wiring Harness	1	\$11.00
n/s	137471-000	0.05	Barrel Plug	1	\$1.00
n/s	137628-000	0.03	Allen Wrench, 3/16"	1	\$0.50
n/s	137659-000	0.01	Allen Wrench, 1/8"	1	\$0.50
n/s	137881-000	0.01	Allen Wrench, 3/32"	1	\$0.50
n/s	137882-000	0.01	Allen Wrench, 9/64"	1	\$0.50
n/s	137849-000		Parts Order Form	1	NC
n/s	137848-000		Instruction Manual	1	NC

NOTE: n/s = not shown