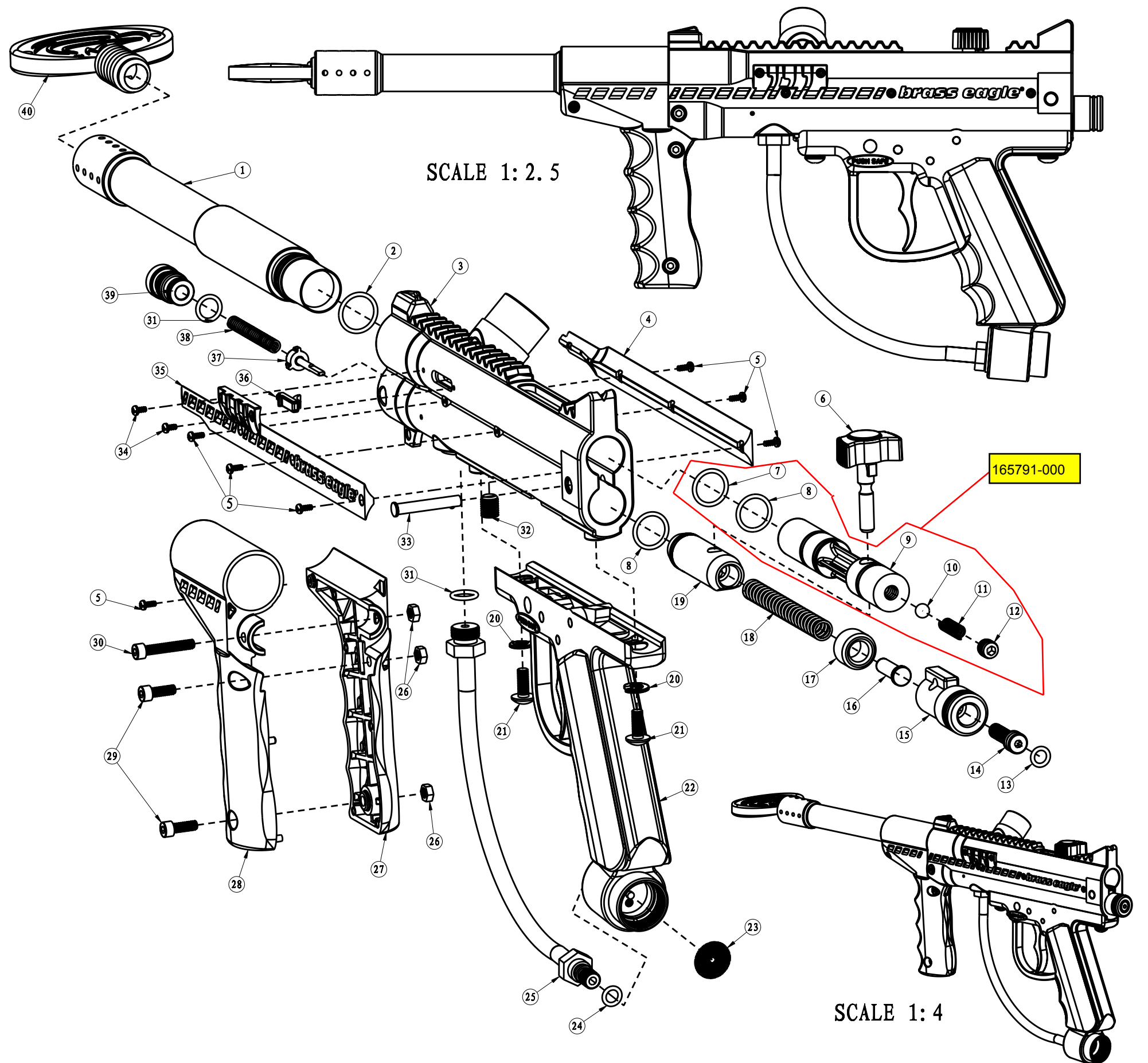


FIND NO.	QTY.	PART NO.	PART DESCRIPTION]
1	1	135296-000	barrel 枪管
2	1	137527-000	O-Ring 密封圈
3	1	135294-000	receiver assembly 枪身
4	1	135298-000	receiver cover right 右枪身盖
5	7	135660-000	screw 自攻螺丝
6	1	135310-000	cap cocking pin 上锤销身
7	1	(A1) 135760-000	O-Ring 密封圈
8	2	130731-000	O-Ring 密封圈
9	1	134676-000	bolt 上锤
10	1	131214-000	ball detent 球珠
11	1	132057-000	spring ball detent 弹簧
12	1	131216-000	set screw #8-32 螺丝
13	1	137629-000	O-Ring 密封圈
14	1	131561-000	screw velocity adjustment 螺丝
15	1	132251-000	plug hammer 撞锤塞
16	1	131559-000	guide spring 弹簧管座
17	1	131081-000	bumper 缓冲垫
18	1	(A2) 135759-000	spring 弹簧
19	1	131545-000	hammer 撞锤
20	2	130806-000	lockwasher 锁介子
21	2	130815-000	screw #10-32 螺丝
22	1	166000-000	grip assembly 把手组合
23	1	130727-000	screen filter 过滤器
24	1	130739-000	O-Ring 密封圈
25	1	134263-000	hose braided 软管
26	3	135303-000	nut 螺母
27	1	135300-000	fore grip right 右前把手
28	1	135299-000	fore girp left 左前把手
29	2	133898-000	screw #8-32 UNC-2A 螺丝
30	1	135302-000	screw receiver 枪身螺丝
31	2	130729-000	O-Ring 密封圈
32	1	130964-000	set screw valve 螺丝
33	1	132039-000	pin velocity plug 钉
34	2	135304-000	screw 自攻螺丝
35	1	135297-000	receiver cover left 左枪身盖
36	1	131032-000	ball stop 球珠塞
37	1	135696-000	stem valve 活阀
38	1	132053-000	spring 弹簧
39	1	135313-000	valve plug 活阀塞
40	1	131082-000	barrel plug 枪管塞



				TOLERANCE REFERENCE FORM				MATERIAL:	SHRINKAGE:	USED ON:	DRAWN BY: 林志文	Shakespeare INC. COMPANY	
				DIM.	TOL.	DIM.	TOL.	FINISH:	TOOL NO.	CHECKED BY:			
				0 < DIM ≤ 10	±0.06	100 < DIM ≤ 160	±0.30			1177-00	APPROVED BY:		
				10 < DIM ≤ 30	±0.10	160 < DIM ≤ 250	±0.40				DATE: 2007-02-03	BE NO.	
				30 < DIM ≤ 60	±0.15	250 < DIM ≤ 350	±0.50				SCALE: 1: 2	EDITION	
07-02-26	(A1) Replace: 136981-000	(A2) WAS: BE100-007-003	1	林志文	CONSULT THE LEFT FORM FOR THE NON-IDENTIFIED TOLERANCE							PART NAME: T-Storm tactical pliers kit bulk	DWG NO. 1177-00B
DATE	DESCRIPTION		REV.	BY									