



**DYE Precision, Inc.**  
**USA** 10637 Scripps Summit Ct. San Diego, CA 92131  
P 858-536-5183 F 858-536-5191  
**EUROPE** Dye House, 7-8 Commerce Way  
Croydon, Surrey CRO 4XA United Kingdom  
P +44 (0) 20-8649-6330 F +44 (0) 20-8649-6339  
**GERMANY** Albert Einstein Str. 2 B  
77656 Offenburg, Germany  
P +49 (0)781 639 349 91  
**ASIA** No. 253, Guojhong Rd., Dall City  
Taichung County 412, Taiwan (R.O.C.)  
P +886 (0) 4-2407-9135 F +886 (0) 4-2407-2090  
[www.dyepaintball.com](http://www.dyepaintball.com)

Copyright ©2012 DYE Precision, Inc. The stylized "dye" logo and the "sphere" logo are either registered trademarks, trademarks, or design trademarks of DYE Precision, Inc.

DYE Precision, Inc. U.S. Patent # 5,613,483; 7,594,503; 7,765,998. OTHER U.S. AND INT'L PATENTS PENDING.  
Covered by one or more of the following U.S. Patents, 5,613,483; 5,881,707; 5,967,133; 6,035,843 and 6,474,326.



*dye*  
**PM SERIES**

PATENTED SPOOL VALVE TECHNOLOGY  
U.S. Patent 65,913,883. OTHER U.S. AND INT'L PATENTS PENDING.



# 2013 DM SERIES OWNER'S MANUAL

WWW.DYEPAINTBALL.COM



## INCLUDED WITH YOUR 2013 DM SERIES

- 2013 DM Series Marker
- 14" UL Barrel
- DYE Allen Wrench Set
- 1/4 oz. Slick Lube™
- Parts Kit
- Barrel Sock
- Owner's Manual
- Warranty Card

## ADDITIONAL RECOMMENDED TOOLS

- 5/16" Allen wrench
- Canned Air
- Cotton Swabs



# TABLE OF CONTENTS

IMPORTANT SAFETY INSTRUCTIONS AND GUIDELINES.....	PAGE 02
QUICK REFERENCE.....	PAGE 04
BOARD SETTINGS AND FUNCTIONS.....	PAGE 06
ON / OFF AIRPORT.....	PAGE 12
CLAMPING FEEDNECK.....	PAGE 12
STICKY GRIP.....	PAGE 14
TRIGGER ADJUSTMENT.....	PAGE 16
FUSE™ BOLT.....	PAGE 18
LOW PRESSURE REGULATOR (LPR).....	PAGE 22
HYPER3™.....	PAGE 26
ANTI CHOP EYES/BALL DETENTS.....	PAGE 28
TROUBLE SHOOTING GUIDE.....	PAGE 32
EXPLODED VIEW.....	PAGE 36
WARRANTY INFORMATION.....	PAGE 37

WWW.DYEPAINTBALL.COM



## WARNING

IMPORTANT SAFETY INSTRUCTIONS AND GUIDELINES

- The 2013 DM Series marker is not a toy. Misuse may cause serious injury or death.
- Please read, understand and follow the directions in the 2013 DM Series owner's manual.
- Eye protection that is designed specifically for paintball and meets ASTM/CE standards must be worn by user and persons within range.
- Recommend 18 years or older to purchase. Person under 18 must have adult supervision.
- Always treat the 2013 DM Series marker as if it were loaded and able to fire.
- Only use compressed air or nitrogen gas in the 2013 DM Series marker. **DO NOT USE CO<sub>2</sub>**.
- Do not exceed 850 psi input pressure.
- Ensure all air lines and fittings are tightened and secured before gassing up the 2013 DM Series.
- Always chronograph the 2013 DM Series marker before playing paintball.



## WARNING

IMPORTANT SAFETY INSTRUCTIONS AND GUIDELINES

- Never shoot the 2013 DM Series marker at velocities in excess of 300 feet per second, or at velocities greater than local or national laws allow.
- Never look into the barrel or breech area of the 2013 DM Series when the marker is switched on and able to fire.
- Always fit a barrel-blocking device to your 2013 DM Series when not in use on the field of play.
- The owner's manual should always accompany the product for reference or in the event of resale and new ownership.
- Do not point the 2013 DM Series marker at anything that you do not intend to shoot.
- Do not shoot at people, animals, houses, cars or anything not related to the sport of paintball.
- Do not fire the 2013 DM Series without the Fuse™ bolt screwed in completely.
- If you read these instructions and do not fully understand them or are unsure of your ability to make necessary adjustments properly, call DYE or your local pro shop for help.

# QUICK REFERENCE

## USING YOUR MARKER

### AIR SUPPLY

The 2013 DM Series should be operated using air/nitrogen gas only. This air needs to be supplied to the regulator at a regulated pressure of no more than 850 psi. The Hyper3™ regulator comes factory preset at 175psi.

### GASSING UP YOUR 2013 DM SERIES

Screw in your air system to the ON/OFF airport and rotate the side lever counter clockwise until the internal stop is reached.

### TURNING ON YOUR 2013 DM SERIES

The 2013 DM Series' power is controlled by two buttons. The top button turns the marker on and off, while the bottom button turns the eyes on and off. Hold the power button for 3 seconds to turn the marker on. The LED in the grip will illuminate during the boot sequence.

**NOTE: If the eye is not working properly, try replacing the battery.**

- Blue:** - Boot sequence
- Red:** - Breech is clear, no ball (eyes on)
- Green:** - Ball in breech, ready to fire (eyes on)
- Blinking Red:** - Eyes are off
- Blinking Green:** - Eye failure (see page 28)
- Blinking Blue:** - Indicates a low battery, battery should be changed as soon as possible

### LPR

The LPR is pre-set from the factory at approximately 75-80 psi and should need no adjustment out of the box. If fine tuning adjustment is desired or needed, you must be sure that you are adjusting the LPR correctly. See page 22 for detailed instructions. If the LPR is improperly adjusted, you could dramatically hinder the 2013 DM Series' performance or prevent the marker from functioning at all.

4

# QUICK REFERENCE

## USING YOUR MARKER

**NOTE: Turning the adjustment screw clockwise, or in, will lower the LPR's output pressure. Turning the adjustment screw counterclockwise, or out, will raise the LPR's output pressure.**

### HOPPER

To get the best performance out of your 2013 DM Series, it is recommended that you use a motorized loader. Preferably, the Rotor™ Loader.

### ADJUSTING VELOCITY

The velocity is adjusted through the Hyper3™ regulator. The Hyper3™ is preset from the factory at approximately 145 psi. This pressure setting should have the marker shooting at about 285fps. Your paint-to-barrel fit will also have a noticeable affect on your velocity. Make sure that the paintball fits into the barrel loosely but does not drop through.

**NOTE: For the Hyper3™, turning the adjustment screw clockwise, or in, will lower the output pressure, decreasing the velocity. Turning the adjustment screw counterclockwise, or out, will raise the output pressure, increasing the velocity.**

### CHANGING THE BATTERY

The battery is housed on the right side of the grip frame. To access the battery, unhook the tool-less grips from the grip frame and open to expose the circuit board and battery. For detailed instructions on how to open the tool-less grips please see page 14. Carefully lift the battery out of the frame. When inserting a new battery notice the + and - marks on the board. The positive lead of the 9V battery goes to the right and the negative lead to the left. Inserting the battery backwards can damage the board and will not function.



- A low battery will not be able to power both the ACE eye and the trigger switch, causing ACE eye failure.
- If the battery is low, it may not be able to power the solenoid correctly. This will affect the 2013 DM Series' velocity, causing it to become inconsistent and/or low.

5



# 2013 DM SERIES BOARD

## SETTINGS AND FUNCTIONS



FIGURE 1

### TURNING THE 2013 DM SERIES ON AND OFF

To turn on the 2013 DM Series, press and hold the power button for 3 seconds (see figure 1) until the LED's turn blue. The blue light indicates board boot up. After the boot up sequence, the LED's will turn either RED (no ball) or GREEN (ball ready to fire). To turn the 2013 DM Series off, press and hold the power button until the LED's turn off.

**NOTE: The 2013 DM Series automatically switches off after 10 minutes of non-use.**

### FIRING THE 2013 DM SERIES

As soon as the marker is turned on and the LED's turn from blue to either red or green, the 2013 DM Series is ready to fire. If there is no ball and the LED's are red, you need to hold the trigger for 1 second to force the 2013 DM Series to fire once. If there is a paintball inside the breech and the LED is green, just press the trigger to fire the marker.

### LED LIGHT INDICATOR

The 2013 DM Series uses two super bright LED's mounted on the circuit board inside the grip frame. These two lights are used to provide information to the user about the 2013 DM Series. They will always show the same information and it does not matter which LED you look at. One is mounted behind the logo on the left side of the grip panels. The other one can be seen by looking at the top left side of the grip frame while holding the 2013 DM Series in the position you would while playing a game.



**NOTE: The eye is always activated when you turn the marker on.**

# 2013 DM SERIES BOARD


## SETTINGS AND FUNCTIONS

When you turn on the marker in normal operation mode with the power button, the light colors mean the following:

- Blue:** - Boot sequence
- Red:** - Breech is clear, no ball detected inside the 2013 DM Series (eye is on)
- Green:** - Ball in breech, ready to fire (eye is on)
- Blinking Red:** - Eye is turned off
- Blinking Green:** - Eye failure, eye is blocked or dirty (see 2013 DM Series Eye, page 28)
- Blinking Blue:** - Indicates a low battery, battery should be changed as soon as possible

To turn the eyes off, press and hold the lower button until the light begins flashing red. To turn the eyes back on, hold the lower button until the LED turns either red or green.

**NOTE: The eye is always activated when you turn the marker on.**



When servicing your marker:

- Make sure a barrel plug is fitted to the 2013 DM Series.
- Make sure your hopper is removed from the 2013 DM Series.
- Make sure there are no paintballs in the breech of the 2013 DM Series.
- Always remove the Hyper 3 and relieve all residual gas pressure from the 2013 DM Series before commencing any disassembly.
- The 2013 DM Series can hold a small residual charge of gas, typically 2 shots, with the Hyper 3 removed. Always discharge the marker in a safe direction to relieve this residual gas pressure.

# 2013 DM SERIES BOARD

## SETTINGS AND FUNCTIONS



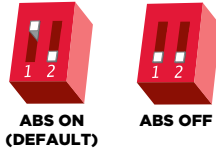
### BOARD SETTINGS AND CONFIGURATION MODE

There are five settings you can alter on the 2013 DM Series board with the DIP switches inside the grip frame (see figure 1):

- ABS Anti Bolt Stick.
- Trigger Sensitivity This setting adjusts the delay between two trigger pulls.
- Dwell This is the time the solenoid is activated for.
- Rate Of Fire This setting is for adjusting the maximum rate of fire.
- Firing Mode This is the firing mode the 2013 DM Series uses.

There are two DIP switches mounted on the board of the 2013 DM Series (See figure 1). The first one is used for the ABS setting and the second one is used to access the configuration mode, which changes the other four settings.

**Anti Bolt Stick** - When ABS is activated, the dwell is increased after 15 seconds of non-use for the next shot fired. This helps to prevent bolt-stick, but may result in higher velocity for the first shot.

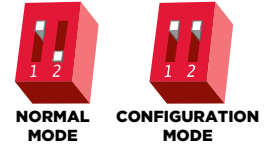


- The 2013 DM Series is not water resistant. Excess moisture will cause damage to electronic parts.
- Keep the board and all electrical components clean of dirt, paint and moisture.
- To clean the board, use canned air. If a more aggressive cleaning method is needed, lightly scrub the components with a soft, dry brush. Heavy scrubbing will damage the board.

# 2013 DM SERIES BOARD

## SETTINGS AND FUNCTIONS

**Configuration Mode** - The following settings can only be modified in configuration mode. To activate the configuration mode, turn your marker off and set DIP switch 2 to the ON position. Next, turn your marker on. The LED's cycle through all colors for one second to indicate that you have entered the configuration mode.



To cycle through different settings, pull and release the trigger. Configuration mode has 4 settings that can be changed.

### Green - Trigger Sensitivity



Values 1 - 20 (factory default 3)  
Trigger sensitivity is the amount of time that the trigger has to be released before the next trigger pull is allowed. In some situations with too low of a value, the 2013 DM Series can register more trigger pulls than what was actually pulled. This can cause the 2013 DM Series to shoot full auto, even in semi-automatic mode. To fix this, adjust trigger sensitivity setting higher.

### Red - Dwell



Values 1 - 30 (factory default 18)  
Dwell is the amount of time that the solenoid will be activated. Follow these steps for the best way to set your dwell:

- Remove the loader and any paintballs from the 2013 DM Series marker.
- With the dwell set at 10, start increasing the value until the marker begins to fire.
- When you reach the setting where the marker begins to fire, get some paint and a loader and go to a chronograph.
- Increase the dwell until you see no increase in the velocity. This is the optimal dwell setting to be used.

# 2013 DM SERIES BOARD

## SETTINGS AND FUNCTIONS

### Blue - Rate Of Fire (ROF)



Values 1 - 45 (factory default 12.5 bps)

The ROF setting is used to set the maximum rate of fire of the 2013 DM Series. The values do not correspond directly to a certain Balls Per Second (BPS) value. You will need to use the table below to locate your desired maximum ROF setting.

The factory setting is **20 (12.5 bps)**.

1 9.80 BPS	10 10.75 BPS	19 12.34 BPS	28 13.88 BPS	37 15.87 BPS
2 9.90 BPS	11 10.86 BPS	20 <b>12.50 BPS</b>	29 14.08 BPS	38 16.12 BPS
3 10.0 BPS	12 10.98 BPS	21 12.65 BPS	30 14.28 BPS	39 16.39 BPS
4 10.10 BPS	13 11.11 BPS	22 12.82 BPS	31 14.49 BPS	40 16.66 BPS
5 10.20 BPS	14 11.62 BPS	23 12.98 BPS	32 14.70 BPS	41 20.0 BPS
6 10.30 BPS	15 11.76 BPS	24 13.15 BPS	33 14.92 BPS	42 22.22 BPS
7 10.41 BPS	16 11.90 BPS	25 13.33 BPS	34 15.15 BPS	43 25.0 BPS
8 10.52 BPS	17 12.04 BPS	26 13.51 BPS	35 15.38 BPS	44 28.57 BPS
9 10.63 BPS	18 12.19 BPS	27 13.69 BPS	36 15.62 BPS	45 33.33 BPS

### Yellow - Firing Mode



Values 1 - 4 (default 1)

This setting changes the firing mode of the 2013 DM Series. The default setting is semiautomatic. In the semiautomatic mode, one trigger pull shoots out one paintball. The PSP mode and the Millennium mode follow the rules of the paintball tournament series.

- Value 1** - Semiautomatic Mode
- Value 2** - Millennium Mode
- Value 3** - PSP Mode
- Value 4** - NXL Mode, Full auto after 3rd shot.

**NOTE: You cannot turn your marker off with the power button when the marker is in configuration mode. You must first set DIP switch 2 to the OFF position.**

# 2013 DM SERIES BOARD

## BATTERY

### TO CHANGE A VALUE OF A SETTING

1. While in the configuration mode, choose the color you wish to change by pulling the trigger.
2. When the LED indicates the color you wish to change, pull and hold the trigger until the LED starts to flash.
3. The LED will flash as many times as the previous setting was and it will then turn off. Now pull the trigger as many times as you wish the new setting to be - if you do not wish to change the setting then re-enter the previous setting.
4. When done, the LED will cycle through all the colors again to indicate setting was saved and turn back to green. You can now change another setting or quit the configuration mode.
5. To exit configuration mode, set DIP 2 to the OFF position.



### BATTERY

Standard 9V batteries will last for about 40,000 shots. Please be aware that there are substantial differences in performance between different brands of batteries. Use of high quality alkaline or lithium ion batteries is recommended for maximum battery life. If you plan not to use your marker for a long period of time (a month), it is recommended that you remove the battery from the marker. An intermittent blinking blue light indicates a low battery. A low battery can cause the marker to malfunction.



- A low battery will not be able to power both the ACE eye and the trigger switch, causing ACE eye failure.
- If the battery is low, it may not be able to power the solenoid correctly. This will affect the 2013 DM Series's velocity, causing it to become inconsistent and/or low.

## ON/OFF AIRPORT - FEEDNECK



### ON/OFF AIRPORT

The 2013 DM Series comes equipped with an ON/OFF Ultralite Airport attached to the bottom of the frame. To turn on the gas supply, rotate the side lever counter clockwise until the internal stop is reached. To turn off the gas supply, rotate the side lever clockwise until the other stop is reached. As you rotate the side lever past the mid point, the residual gas between the Hyper3™ and the ON/OFF airport will vent. See page 30 for service information. To remove the UL Airport from the UL frame see page 13.



### CAM LEVER FEED NECK

The Cam Lever Feedneck is adjustable to fit any standard loader. To adjust the cam locking system, lift the cam lever away from the feed collar, and rotate the lever clockwise to tighten or counterclockwise to loosen the grip on the loader. Once the cam lever is facing in the forward direction, press the cam lever down against the feed collar to secure the loader in the feedneck. To loosen the locking system and remove the loader, lift the cam lever away from the feed collar. Take care not to over-tighten the cam locking system. The lever should not be overly difficult to lower into the locked position.



**NOTE:** Even with the air supply removed the marker may have gas inside. Be sure to vent this gas. Make sure there are no paintballs in the breech and dry fire the marker in a safe direction.

## ULTRALITE FRAME



### WARNING:

Be sure you do not pinch the wires between the frame and the body when reattaching the frame and body.

### REMOVING ULTRALITE FRAME FROM THE 2013 DM SERIES

If there is ever need to remove the Ultralite frame from the 2013 DM Series make sure to follow these steps.

- Unhook and open the right side of the tool-less grip to expose the circuit board.
- Disconnect the solenoid wire and the eye wire from their sockets by gently pulling them out.
- Using a 3/32" Allen wrench, turn the front frame screw counterclockwise one full turn.
- Finally, turn out the back frame screw and slide the frame back and down until it comes off the 2013 DM Series.

To connect the frame follow above steps in reverse order.

### INTEGRATED LOCKING DOVETAIL FEATURE

The Ultralite frame comes equipped with an integrated locking dovetail. There is a horizontal locking screw located on the bottom right side of the Ultralite frame. It can be accessed with a 1/8" Allen wrench through a hole in the grip panel. To unlock a part attached to the dovetail of the frame, turn the locking screw counterclockwise one full turn and slide part off the rail. To attach a part to the rail, slide the part on and turn the locking screw clockwise until part is firmly locked in place.

**NOTE:** Be sure that the frame and trigger assembly are kept clean. If there is excess dirt or paint build up around the trigger, the trigger will no longer move freely. In addition, paint and dirt can cause the micro switch to not function properly or fail.

## STICKY GRIP

### GRIP REMOVAL



1. Pull the upper back corner of the grips away from the gripframe with your thumb. Allowing the rear tabs to clear the frame.



2. While pulling with your thumb, using your index finger, to push the grips toward you.



3. The top portion of the grips should be free from the gripframe.



4. Grab a hold of the inside of the grips with your fingers, using your palm on the outside surface of the grip.

14

## STICKY GRIP

### GRIP REMOVAL



5. Pull the grips toward the barrel tip.



6. In doing so, you will have released the last three locking tabs that are under the molded finger grooves.



7. Repeat instructions for reverse side and slide the grips off the frame.

### INSTALL STICKY TOOL-LESS GRIPS

- Insert the bottom rear locking hook into the retaining hole at the bottom rear of the UL frame.
- Lock the hook into place by sliding the grip panel forward.
- Press the three locking tabs under the molded finger grooves into the corresponding slots on the frame's front strap.
- Pull the top of the grip panel back in order to allow the front top locking hook to drop into the frame.
- Push the top of the grip panel forward to lock the top front hook into place.
- Press down on the upper rear corner to seat the upper retaining post into position.

15



# TRIGGER ADJUSTMENT

## ADJUSTING YOUR TRIGGER

The trigger's forward and over travel, spring tension, and reach are fully adjustable so that you can fine-tune the trigger to your preference. You do not need to remove the frame or grip from the gun in order to adjust the trigger pull.

There are two adjustment screws located on the left side of the Ultralite frame and one adjustment screw behind the trigger. The two screws on the side of the frame adjust the travel of the trigger.

The one located behind the trigger is used to change the tension of the trigger spring.

### TO ADJUST TRIGGER TRAVEL (SEE FIGURE 1)

Use a 5/64" Allen wrench to make the desired adjustments.

- The bottom screw (1) controls the forward travel. Screwing it in will shorten the trigger's length of pull.

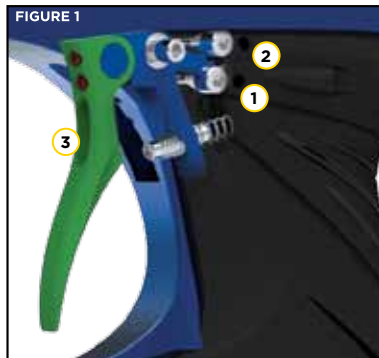
**NOTE: If this screw is adjusted too far, the switch will be held down at all times and the marker will not fire.**

- The top screw (2) controls the over travel. By turning this screw you can adjust how far the trigger will travel after it reaches the firing point.

**NOTE: If this screw is adjusted too far, the trigger will not be allowed to travel far enough to depress the switch and fire the marker.**

### TO ADJUST SPRING TENSION (SEE FIGURE 1)

- Use a 5/64" Allen wrench to make the desired adjustment. The adjustment is made by pushing the Allen wrench through a hole in the trigger (3).
- To make the trigger pull stiffer, turn the Allen wrench clockwise or in.
- To make the trigger pull lighter, turn the Allen wrench counterclockwise or out.



# TRIGGER ADJUSTMENT

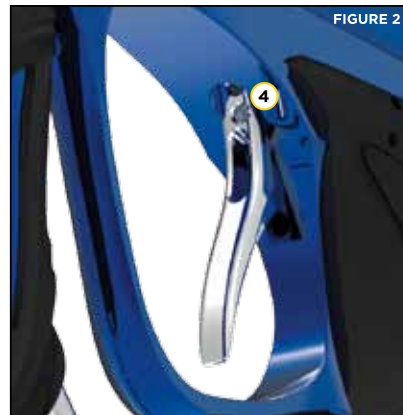
## ULTRALITE REACH TRIGGER

The 2013 DM Series has a new external reach adjustment for the Ultralite trigger.

This adjustment changes the angle that the trigger sits without the need to take off the grip frame or Sticky3 Grip.

### TO ADJUST TRIGGER REACH (SEE FIGURES 1 AND 2)

To adjust, simply loosen the two 6-32 screws (4) using a 1/16" Allen wrench. You do not have to remove the screws from the trigger. Now the front of the trigger (shown in green) should rotate freely while the back of the trigger (shown in blue) remains relatively stationary. When the desired reach angle has been achieved, tighten the two 6-32 screws snugly. Be careful not to over tighten and strip the Allen wrench or screws.



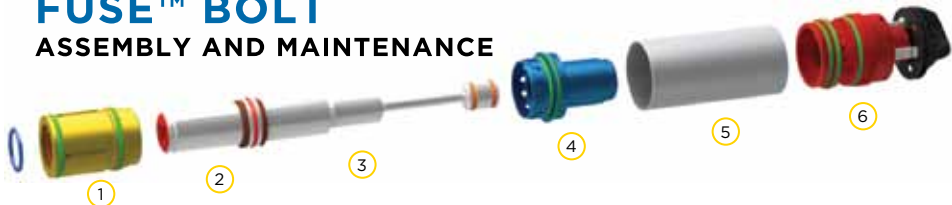
**NOTE: The spring tension adjustment (outlined on page 16) should be set while the trigger's reach is situated in either the rear position or the loose position so the spring tension adjust screw can be externally accessed.**



- Be sure the trigger is not adjusted to the point where it is too sensitive and may cause accidental discharge of the marker.
- Removing the trigger spring will cause premature wear on the micro switch, resulting in failure.

# FUSE™ BOLT

## ASSEMBLY AND MAINTENANCE



### FUSE™ BOLT OPERATION

To achieve top performance from your 2013 DM Series, it is important to understand the basic operation of the 2013 DM Series' patented FUSE™ bolt system.

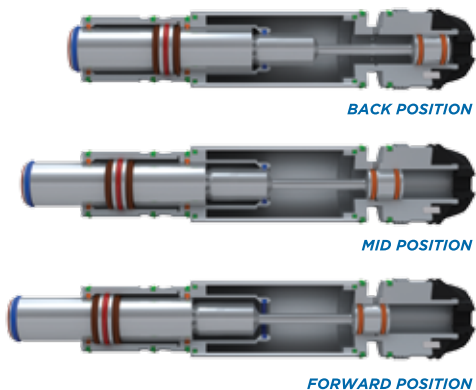
This design consists of three sleeves threaded together to capture the only moving part of the system, the bolt.

The FUSE™ Bolt has six components:

- 1 Cylinder
- 2 Bolt Sail
- 3 Bolt
- 4 Top Hat
- 5 Sleeve
- 6 Tool-less Rear Cap

Air is supplied to the bolt at two points. A high-pressure supply of air is routed to the back of the bolt into the supply chamber. This air source is responsible for propelling the ball. Low-pressure air is supplied from the LPR to the solenoid. From the solenoid, the air is routed through two small holes to the section of the bolt referred to as the cylinder.

When the 2013 DM Series is aired up, air is transferred by the solenoid to the front of the cylinder. This air pushes against the bolt sail and the bolt is held in the back position.



# FUSE™ BOLT

## ASSEMBLY AND MAINTENANCE

When the bolt is held back, the **O14 O-ring** in the top hat seals around the bolt and contains the air in the supply chamber. When the marker is fired, the micro switch is pressed, telling the solenoid to switch the flow of air from the front of the cylinder to the rear of the cylinder. Air that enters the rear of the cylinder will push on the bolt sail, moving the bolt forward. The air in the front of the cylinder is vented.

As the bolt moves forward, the tapered stem passes through the top hat. Once the bolt stem can no longer seal against the **O14 O-ring**, the air contained in the supply chamber is released. The air passes through the venturi ports in the bolt and out the front of the bolt to propel the ball. When the bolt is in the forward position, the inside bolt stem O-ring prevents the flow of air from continuously flowing through the marker when the bolt is forward. This helps the marker shoot much more efficiently.

**NOTE: LOW OR ERRATIC VELOCITY MAY BE DUE TO A LOW BATTERY NOT SUPPLYING AMPLE ELECTRICAL CURRENT TO THE SOLENOID. IN THIS CASE, CHANGE THE BATTERY.**



When servicing your marker:

- Make sure your hopper is removed from the 2013 DM Series.
- Make sure there are no paintballs in the breach of the 2013 DM Series.
- Always remove the air supply and relieve all gas pressure in the 2013 DM Series before disassembly.
- When using the marker in temperatures below 50° Fahrenheit it may be necessary to lube the FUSE™ bolt more frequently.



# FUSE™ BOLT

## ASSEMBLY AND MAINTENANCE

### BOLT MAINTENANCE

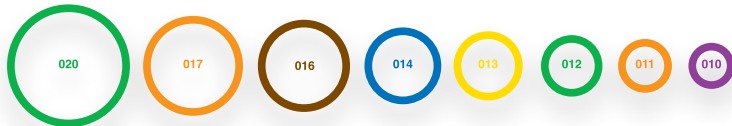
Regular 2013 DM Series Fuse™ bolt maintenance is vital to the performance of the 2013 DM Series. If the Fuse™ bolt is not kept well greased and the O-rings in good shape, the performance of the 2013 DM Series will be greatly hindered.

To remove the bolt, simply pull the back cap into the rear position and turn counter clockwise. If the DM has been sitting for an extended amount of time it may be necessary to use a 1/4" Allen wrench to unscrew the bolt kit. It only takes one and one half revolutions to unscrew the bolt so that it can be pulled out. After the bolt has been cleaned and greased and is ready to be inserted into the body, be sure all bolt sleeve components are screwed together snugly. Slowly push the bolt into the body. Take care not to cut or nick the O-rings as they pass the threads.

**USE DYE SLICK LUBE TO GREASE THE 2013 DM SERIES FUSE™ BOLT AFTER EVERY DAY OF USE AND CHECK CONDITION OF O-RINGS. BE SURE THE FUSE BOLT CAN MOVE BACK AND FORTH WITHOUT EXCESSIVE FORCE.**

**BEFORE INSTALLING THE BOLT INTO THE MARKER, BE SURE ALL BOLT SLEEVE COMPONENTS ARE SCREWED TOGETHER SNUGLY.**

If you do not grease the bolt, you will run the risk of damaging O-rings. This will create excessive friction and drag on the bolt, ultimately resulting in breaking the bolt. When greasing the 2013 DM Series Fuse™ bolt, pay special attention to all O-rings that are on the bolt and that ride on a surface of the bolt. The first seven O-rings listed on the following page should be generously greased during maintenance.

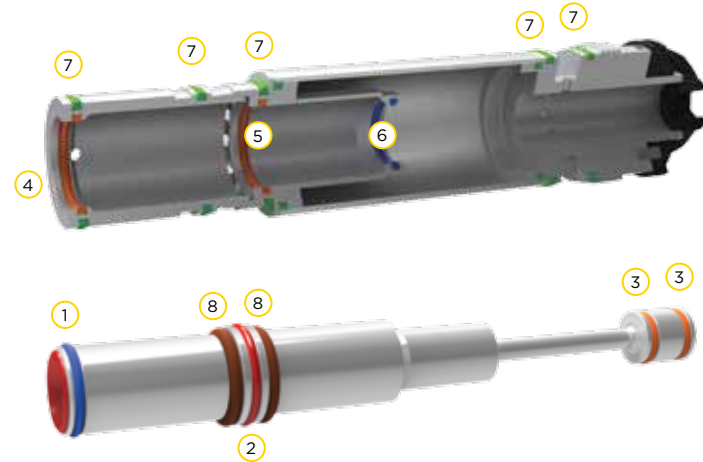


# FUSE™ BOLT

## ASSEMBLY AND MAINTENANCE

### FUSE™ BOLT O-RING LIST (COLOR CODED)

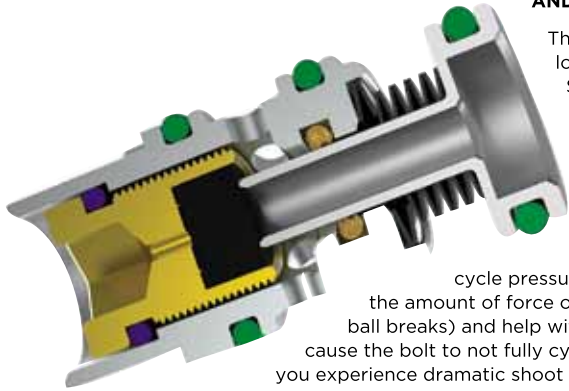
- |                                     |                                     |
|-------------------------------------|-------------------------------------|
| 1 Bolt tip (014 BN70)               | 6 Top hat small internal (014 BN70) |
| 2 Bolt sail (015 BN70)              | 7 Outer sleeve (020 BN70)           |
| 3 Bolt stem (011 BN70)              | 8 Sail bumper (111 BN70)            |
| 4 Cylinder internal (017 BN70)      |                                     |
| 5 Top hat large internal (017 BN70) |                                     |



# LPR (LOW PRESSURE REGULATOR)

## ADJUSTMENTS AND MAINTENANCE

### LPR ASSEMBLY, CLEANING, TESTING AND CHANGING SEALS



The Low-Pressure Regulator (LPR) is located at the back of the 2013 DM Series under the bolt (see page 24). The function of the LPR is to lower the air pressure supplied to the marker by the Hyper3™ before it reaches the solenoid. This pressure is used to move the bolt forward and back. The factory setting is 75 PSI. You can fine-tune your 2013 DM Series to its minimum

cycle pressure. This will reduce the amount of force of the bolt hitting the ball (reducing ball breaks) and help with efficiency. Too low of pressure will cause the bolt to not fully cycle, move sluggishly or not at all. If you experience dramatic shoot down during rapid fire, the LPR may be adjusted too low. Too high of pressure will cause excess kick, potentially increase ball breakage, and cause fatigue on the bolt components.

It is important to keep the seat and piston face clean of all dirt and debris. Clean the seat and piston face and grease the retainer O-ring every six months or 60,000 shots.



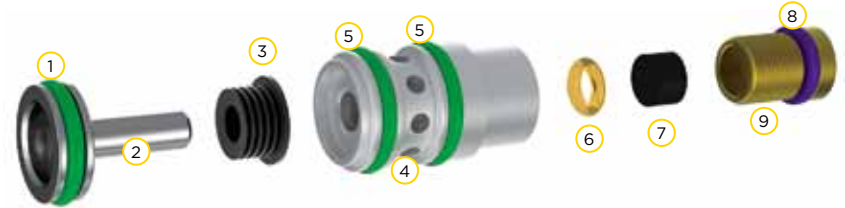
# LPR (LOW PRESSURE REGULATOR)

## ADJUSTMENTS AND MAINTENANCE

The LPR has five components and six seals

- |                                  |   |
|----------------------------------|---|
| 1 Piston O-ring (012 BN70)       | 6 Body internal O-ring (007 UR90)                       |
| 2 Piston                         | 7 Seat (mounted in the seat retainer)                   |
| 3 Shim stack                     | 8 Seat retainer O-ring (010 BN70)                       |
| 4 LPR Body                       | 9 Seat retainer (functions as an adjustment screw also) |
| 5 Body O-rings (2 pcs, 012 BN70) |   |

The only user-serviceable part in the LPR is the seat retainer (see page 25). This seal needs to be changed in the unlikely case the LPR is allowing gas through the regulator, increasing pressure sent to the solenoid.



When servicing your marker:

- Make sure your hopper is removed from the 2013 DM Series.
- Make sure there are no paintballs in the breach of the 2013 DM Series.
- Always remove the air supply and relieve all gas pressure in the 2013 DM Series before disassembly.

## LPR (LOW PRESSURE REGULATOR) ADJUSTMENTS AND MAINTENANCE

The LPR pressure can be set quite accurately even without an LPR test tool. While the 2013 DM Series is degassed, screw the brass seat retainer clockwise with a 3/16" Allen wrench until slight resistance is felt.

**Applying excessive torque to the seat retainer will damage the LPR seat.**

The LPR is now set to approximately 15 psi. Now turning out the retainer 360 degrees counterclockwise will increase the pressure approximately 15 psi. For example, turning the retainer 4 complete turns out will set the pressure to approximately 75 psi. Use a chronograph to fine-tune the pressure to where the 2013 DM Series is consistent.

**NOTE: BEFORE PERFORMING ANY MAINTENANCE ON THE LPR ENSURE THAT THE 2013 DM SERIES MARKER HAS BEEN COMPLETELY DISCHARGED OF ALL RESIDUAL GAS.**



## LPR (LOW PRESSURE REGULATOR) ADJUSTMENTS AND MAINTENANCE

### CHANGING THE SEAT RETAINER

- 1 Unscrew the LPR cap from the back of the 2013 DM Series with a 1/4" Allen wrench.
- 2 Unscrew and remove the brass LPR seat assembly using a 3/16" Allen wrench.
- 3 Use a dental pick or sharp object to remove the old seat from the retainer and replace it with a new one. Use a flat object to press it into place.
- 4 Lube the #010 O-ring and screw the seat retainer assembly back into the LPR assembly.
- 5 Screw the LPR back cover back into the 2013 DM Series

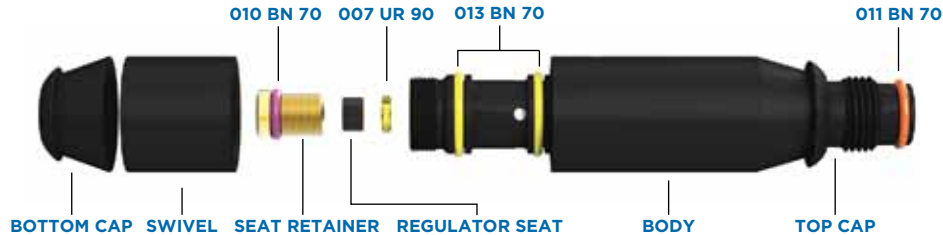


If the user needs to remove the whole LPR assembly, follow these instructions:

- 1 Take the frame off of the marker (see page 13 for removal instructions).
- 2 Unscrew the LPR set screw from the underside of the body using a 5/64" Allen wrench.
- 3 Unscrew the LPR cap from the back of the 2013 DM Series with a 1/4" Allen wrench.
- 4 Pull out the LPR, making sure that the piston is not left in the 2013 DM Series body.
- 5 Perform require maintenance on the LPR assembly
- 6 Re insert a new LPR Assembly.
- 7 Tighten LPR screw lightly, being sure to align it with the keyway cut on the LPR body.
- 8 Screw the LPR back cover into the 2013 DM Series body.
- 9 Replace frame (see page 13 for replacement instructions).

# HYPER3™ REGULATOR

## ADJUSTMENTS AND MAINTENANCE



### USAGE

Carefully connect the 1/4" macroline from the airport fitting into the Hyper3™ elbow fitting. The macroline should be cut straight with a sharp knife to prevent leaks.

### ADJUSTMENTS

The Hyper3™ regulator is adjusted in the same manner as the LPR (outlined on page 22). With the seat retainer screwed completely in the Hyper3™ will be set to approximately 10 psi. Each 360-degree turn counterclockwise will increase the pressure by approximately 15 psi. The stock setting is 145 psi, which should result in the 2013 DM Series shooting velocities of about 285fps.

### MAINTENANCE

The Hyper3™ regulator requires little maintenance from regular use. The seat should be replaced every 6 months or 60,000 shots. Shooting the 2013 DM Series a few times between each small adjustment to the regulator will lengthen the life of the seat. Also, O-rings and the seat may wear rapidly if excessive dirt or sand is allowed into the regulator, so the Hyper3™ should be kept clean.

# HYPER3™ REGULATOR

## ADJUSTMENTS AND MAINTENANCE

### HYPER3™ REGULATOR DIS-ASSEMBLY INSTRUCTIONS

The rubber sleeve on the outside of the Hyper3™ does not need to be removed to disassemble the seat assembly, but may make the process easier. Begin by inserting a 3/16" Allen wrench into the topcap and a 5/16" Allen wrench into the bottom cap. Unscrew the bottom cap from the Hyper3™. If the top cap begins to unscrew, try tightening the regulator back together and unscrewing again. Sometimes it is necessary to use a vice to hold the Hyper3™ body to remove the bottom cap. The brass seat retainer and swivel can now be removed from the regulator. If the swivel is stuck, the elbow fitting may need to be removed.

To change the seat, remove the seat retainer from the regulator body. Use a dental pick or sharp object to remove the old seat from the retainer and replace it with a new one. Use a flat object to press it into place.

Any further disassembly should be performed by a trained tech. If you have any questions please call the DYE tech line.

### REASSEMBLY

Grease the #010 O-ring on the seat retainer and the two #013 O-rings on the Hyper3™ body. Insert the seat retainer being careful to not screw it in too tightly. Slide the swivel gently back onto the body and screw on the bottom cap. If the elbow fitting was removed, use thread sealant and snugly screw it back into the swivel making sure that the swivel can rotate freely.



- The Hyper3™ can hold a small residual charge of gas, typically 1 shot. Always discharge the marker in a safe direction to relieve this residual gas pressure.
- Improper stacking of shims will cause failure of the regulator and possible damage to the 2013 DM Series.
- Excessive dirt and debris can affect the Hyper3™'s performance and increase the need for service.

# ANTI CHOP EYES/ BALL DETENTS

## MAINTENANCE AND CHANGING

### ANTI CHOP EYES

The Anti Chop Eye (ACE) system will help prevent the 2013 DM Series from chopping paint by not allowing the marker to fire until a ball is fully seated in front of the bolt. The eyes use a light beam across the breech. On one side there is a transmitter, and on the opposite side a receiver. In order for the marker to fire with the eyes turned on, the signal between the two eyes must be broken. After every shot, before the next ball drops in the breech, the eye transmitter and receiver must see each other. If there is a malfunction, the LED's on the board will start blinking green. This means that the receiver and the emitter do not see each other. If this is the case, there are normally two reasons. Either there is dirt, paint or grease blocking the beam, or the battery is so low there is not enough power to create a strong enough light beam.

**NOTE: IF THE BATTERY IS LOW, THE MARKER MAY ACT AS IF THE EYES ARE DIRTY OR NOT FIRE AT ALL. IN THIS CASE, REPLACE THE BATTERY.**

### SELF CLEANING EYE FEATURE

The 2013 DM Series is equipped with a patented self-cleaning eye feature. There is a clear polycarbonate sleeve mounted inside the breech of the gun covering the eyes. When the bolt tip O-ring passes through the eye pipe, it sweeps off any dirt, grease or paint that could be blocking the eyes. Normally it is enough to just fire the 2013 DM Series to clean anything blocking the eyes. If this does not clear the blockage use a swab to clean the inside of the breech.

For a more thorough cleaning, pull the eye pipe with the ball detents out the front of the breech. With the eye pipe out use a swab to clean the breech. This should be enough to clean the eye system. If the system needs further cleaning, pull out the eye carrier and eye wires through the feed neck. To prevent damaging the eye wires, it is best to remove the frame and disconnect the eye wires from the board. Use a soft rag and Q-tips to clean off any built up paint or grease.

When re-assembling the eye guard system, work backwards from disassembly. The eye pipe is keyed into the breech and can only go in one way.

# ANTI CHOP EYES/ BALL DETENTS

## MAINTENANCE AND CHANGING

### CHANGING BALL DETENTS

The ball detent system is clipped to the outside of the eye pipe. The ball detent system needs little or no maintenance. The detents should easily flex out of the way with little force, such as a paintball moving past. If you are experiencing double feeding or chopping, check the condition of your ball detents with your finger to make sure they are not broken, stuck in the up or down position, and that they move in and out of the breech freely. If excessive broken paint or dirt has jammed your ball detents, remove the eye pipe/detent system from the front of the 2013 DM Series and unclip the detents for a thorough cleaning. Reinstall the detents, and eye pipe after you have sufficiently cleaned the detents and breech.

Be careful not to over-flex the detents when handling them. Excessive flexing could break or damage the detents.

**NOTE: TAKE CARE WHEN REPLACING THE EYE PIPE. BE CAREFUL THAT THE DETENT CLIP IS FULLY SEATED ONTO THE EYE PIPE.**



Figure 3

## ON/OFF AIRPORT DETAIL

### REMOVE PIN-HOUSING ASSEMBLY

To disassemble the UL airport use the airport tool included on the DYE Multi-Tool. However, a pair of needle-nose pliers can be used to unscrew the Pin Housing. Just take care to not scratch or damage the threads or Pin Housing.

- Insert the airport tool into the Pin Housing and turn counterclockwise 3-4 revolutions. Note that the airport lever must be in the OFF position for the tool to grab the housing. Remove housing out of the airport body.
- The pin and **005 O-ring** may or may not come out with the housing, if necessary use a pair of needle-nosed pliers to pull the pin out and a dental pick to remove the **005 O-ring**.

### INSTALL PIN HOUSING ASSEMBLY

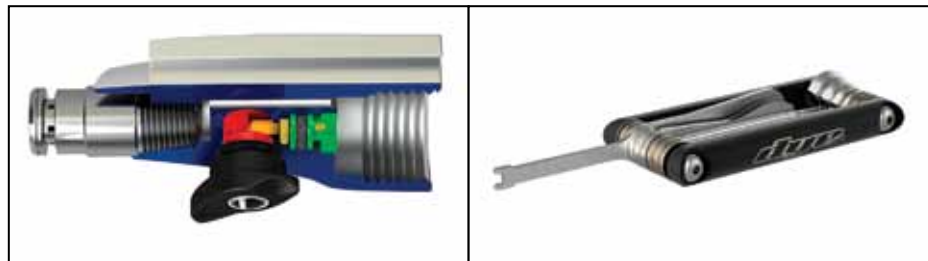
- Coat the **005 O-ring** in lube and drop it into the airport body. Use the tip of a 1/4" Allen wrench to fully seat the O-ring in place by pushing gently on it.
- Insert the Pin into the Pin Housing from the backside.
- Place the housing onto the airport tool and insert the housing into the airport body.
- Turn clockwise until the Pin Housing fits snugly into the airport body.

\*If the airport tool is not available, a pair of needle-nose pliers can be used to unscrew the Pin Housing. Just take care to not scratch or damage the threads or Pin Housing.

### REMOVE THE AIRPORT LEVER AND INTERNAL CAM

- Remove the DYE sphere jewel located in the middle of the airport lever.
- Use a 1/16" Allen wrench to unscrew the retaining screw and remove the screw and lever.
- Insert a dental pick into the small slot to pull out the **010 retaining O-ring**. If the Pin and Pin housing have been removed, the cam should come out with no resistance. If the Pin and Pin Housing are installed in the airport body, the cam must be in the ON position so it can be removed.

## ON/OFF AIRPORT DETAIL



### INSTALL AIRPORT LEVER AND CAM

- Make sure that the Pin is not protruding into the area where the Cam sits.
- Use a dental pick or small Allen wrench to push the pin out of the bore if necessary.
- Drop the Cam into the airport body such that the slot face upwards and rotate it clockwise until it drops in place and hits the internal stop.
- Insert the **010 retaining O-ring** into the groove and gently work it in place with a dental pick or small screwdriver.
- Push the Lever into the Cam slot so that the Lever is facing down, or in the OFF position.
- Install the retaining screw with a 1/16" Allen wrench and tighten firmly. Turn the Lever counterclockwise until it hits the internal stop. Replace the jewel on the Retaining Screw so that the Dye sphere is correctly oriented.

**NOTE: FOR EXPLODED VIEW OF AIRPORT AND PARTS LIST SEE PAGE 36.**



# TROUBLE SHOOTING GUIDE

## AIR LEAKS

### AIR LEAKING FROM THE BACK OF AIRPORT

- Check the O-ring on the Air system. If needed change the O-ring and try again. The O-ring normally used is #015 but some manufacturers might use a different size. Consult the manual of the air system you are using.

### AIR LEAKING FROM THE SIDE OF AIRPORT

- Check that the hose connector is tight. Remove the hose from the connector by pushing towards the connector and pull out hose. Use a crescent wrench to tighten the fitting. If needed remove and apply thread sealant to the thread and re-tighten. If unsure consult expert advice.
- Check that the end of the hose is cut straight and is not worn out. If needed cut a small piece off the hose with a razor blade and re-insert hose into the fitting. Make sure hose goes all the way to the end.

### AIR LEAKING FROM THE FRONT OF AIRPORT

- Check that the hose connector is tight. Remove the hose from the connector by pushing towards the connector and pull out hose. Use a crescent wrench to tighten the fitting. If needed, remove and apply thread sealant to the thread and re-tighten. If unsure, consult expert advice.
- Check that the end of the hose is cut straight and is not worn out. If needed cut

a small piece off the hose with a razor blade and re-insert the hose into the fitting. Make sure the hose goes all the way to the end.

### AIR LEAKING FROM THE HYPER3™ REGULATOR

- First locate the position of the leak.
- For dis-assembly instructions consult the technical section under Hyper3™ regulator.
- If the leak is coming from the bottom of the regulator you will need to dis-assemble the regulator and change the #010 O-ring and the seat on the brass seat retainer mounted inside the Hyper3™ regulator.
- If the leak is coming from the swivel piece where the hose connector mounts you will need to change the two #013 O-rings under the swivel piece or tighten the hose connector.
- If the leak comes from the small hole in the middle of the regulator there are two possible O-rings causing the problem, the #015 O-ring on the piston and the #007 urethane O-ring inside the body of the regulator. These O-rings should be replaced by a trained Tech.
- If the leak is from the top of the regulator, change the #011 O-ring on the outside of the cap.

### AIR LEAKING FROM ON/OFF KNOB OR BLEED HOLE

- Make sure airport is in full on or off position.
- Check O05 O-ring behind pin housing.
- See page 30 for service details.

### AIR LEAKING FROM THE ASA

- Change the #011 O-ring on the top cap of the Hyper3™ and apply a small amount of lube to the O-ring.

### AIR LEAKING BETWEEN BODY AND FRAME

- Leak between the body and the frame can be caused by a couple of things.
- First pull out the Bolt kit and change the #015 sail O-ring and the rear #020 O-ring on the outside of the cylinder, and the #020 O-ring on the outside of the top hat.
- Check to see if the LPR is leaking. You may need to replace the #010 O-ring on the brass reg adjuster, or replace the lower #012 O-ring on the LPR body. (See page #23).
- The LPR may be supplying the solenoid with too much pressure. Make sure the LPR and the Hyper3™ are set correctly.
- Gas up the 2013 DM Series without the frame attached and try to locate the exact point of leakage. If leak is coming from one of the blocked holes remove the screw, apply some thread sealant and re-attach screw to the body. If the solenoid is leaking, remove the solenoid by unscrewing the two screws mounting it down. Apply some lube to the gasket underneath the solenoid and re-assemble making sure that the solenoid is well tightened into the body and that the eye wire is not pinched underneath the solenoid.

### AIR LEAKING FROM BACK OF THE 2013 DM SERIES

- Check that the bolt kit is tightened all the way into the 2013 DM Series. If the bolt kit is loose, it will start to leak.
- If above does not solve the leak, remove the bolt kit and change the #020 O-ring on the rear cap. Also change the two #011 O-rings located in the stem of the bolt. Lube well and re-insert the bolt kit into the 2013 DM Series. Check bolt kit break down picture on page 21 for O-ring locations.
- Last, check that the gas passage blocking screws located on the sides of the 2013 DM Series under the bolt are not leaking. If the leak is coming from these hole, remove screws and apply thread sealant to them. Make sure to tighten the screw well and wait for sealant to dry before re-gassing marker.

### AIR LEAKING FROM FRONT OF THE 2013 DM SERIES

- Remove the Bolt kit from the marker and change the #017 O-ring located inside of the cylinder and the #014 O-ring located inside the top hat. Lube well and re-assemble.
- If above doesn't help try changing the front #020 O-ring located outside of the cylinder. Lube well before re-inserting bolt kit.



# TROUBLE SHOOTING GUIDE

## PROBLEMS WITH ELECTRONICS

### 2013 DM SERIES WON'T TURN ON

- Make sure battery is new and well charged.
- Make sure there is no dirt or debris blocking the button from being pressed.
- Make sure the buttons are able to activate the switches on the board.

### 2013 DM SERIES WILL TURN ON / OFF BY ITSELF OR THE EYES WILL TURN ON / OFF BY THEMSELVES

- Both of these problems are caused because the button(s) are pressed all the time.
- Remove board from the frame by removing the grip panel on the left hand side, disconnecting the cables and pulling the board out. Carefully remove the two buttons and clean them well.
- Re-assemble and test. If problems persist, contact authorized service center for board replacement.

### MARKER SHOOTING SLOW WHEN EYE IS ON AND BLINKING GREEN

- The eyes are not working correctly. Clean the eyes. You'll know that they are clean if the LED turns red when there is nothing inside the breech of the 2013 DM Series.
- Make sure the eye wires are not broken or pinched.
- The battery may be low. In this case, the battery should be changed as soon as possible.
- If nothing above helps contact a store or DYE Precision for eye replacement.

### SOLENOID WILL NOT ACTIVATE / TRIGGER NOT WORKING

- Check that the trigger adjustment is not set so that the micro switch cannot activate. You should hear a small click when pulling the trigger.
- If the 2013 DM Series fires once when turned on but not after that, your trigger is set so that the micro switch is always activated. Re-adjust the trigger.
- Change the battery if not positive about it's charge.
- Check that the solenoid cable is attached to the board and to the correct connector (solenoid should be attached to the two-prong connector).

### TRIGGER BOUNCE / 2013 DM SERIES SHOOTING MORE THAN ONE BALL PER PULL IN SEMI-AUTOMATIC MODE

- Raise the trigger sensitivity level in the configuration mode.
- Check that the trigger is not adjusted too short.
- Make sure there is a trigger spring inside the frame.

### ERRATIC VELOCITY/2013 DM SERIES WON'T FIRE

### 2013 DM SERIES FIRES BUT BALLS ARE DROPPING OFF OR NOT EVEN COMING OUT OF THE BARREL

- Make sure the battery is good.
- Raise the dwell to factory level (18).
- Make sure bolt is well lubed and moves well. If

there is too much friction in the bolt it will cause the 2013 DM Series to shoot down. Replace O-rings causing this excess friction.

- Make sure air system is screwed in all the way.
- Rest LPR to stock setting.

### FIRST SHOT IS TOO HIGH

- Change the seat inside the Hyper3™ Regulator. For dis-assembly instructions consult page 26 in the technical section.
- Check that the #014 O-ring on the inside of the top hat is in place and in good condition.
- Try turning off the ABS feature by turning DIP #1 to the OFF position.

### VELOCITY IS NOT CONSISTENT

- Make sure the paintballs you are using fit the barrel good and are consistent in size. The stock barrel with the 2013 DM Series is .688 size. You should be able to blow the paintball through the barrel but they should not roll through the barrel on their own.
- Remove the bolt kit and re-lube it. Change any O-rings causing a lot of friction. Make sure #014 O-ring in bolt tip is in place and in good condition.
- Raise the dwell.
- Change the battery.
- Check that the Hyper3™ regulator is working correctly and that the pressure is consistent. A separate regulator-testing tool is available for this. If needed, dis-assemble and change worn out O-rings and the regulator seat in the Hyper3™

regulator.

- Check that the LPR pressure is not set too low. See page 24 for instructions on how to set your LPR pressure.
- Replace the seat in LPR (see instructions on page 25).

## OTHER CATEGORIES

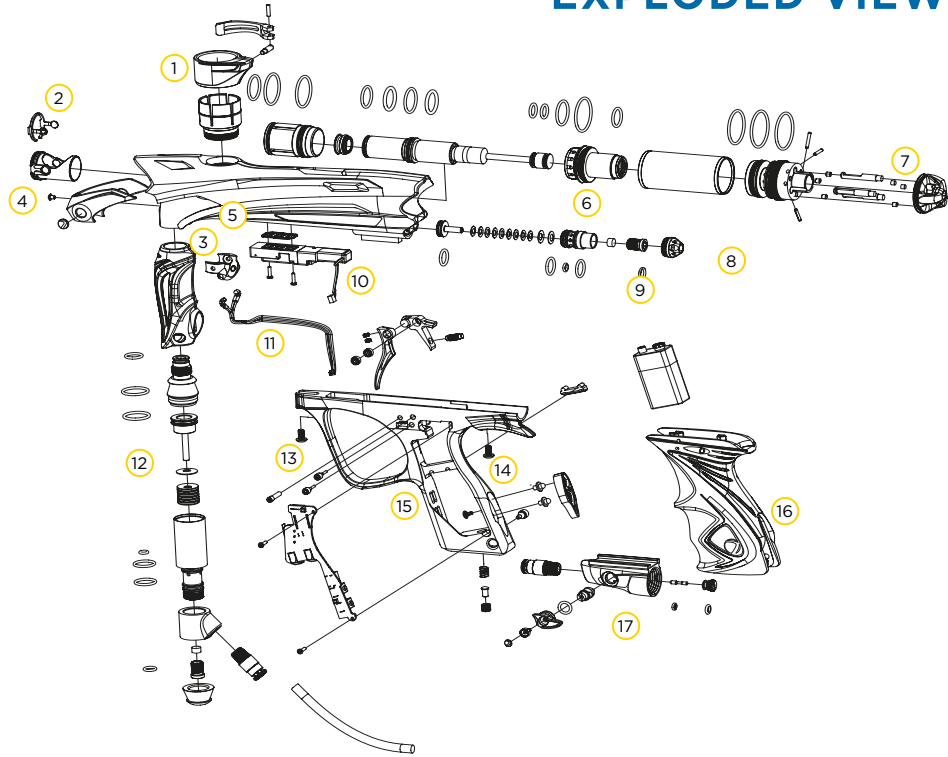
### DOUBLE FEEDING

- If more than one ball is feeding at a time into the breech of your 2013 DM Series, check to see if the ball detents are stuck behind the eye pipe. To make sure your ball detents and eye pipe are properly assembled see pages 28 and 29.
- Make sure the ball detents are not excessively worn.

### BREAKING PAINT

- Make sure you use high quality paintballs and that they are stored according to the manufacturers instructions.
- Check that #14 O-ring on bolt tip is in place and in good condition.
- Make sure your loader is working good and that the rate of fire is not set higher than the maximum feed rate of the loader.
- Check that the barrel you are using is not too tight for the paintballs you are using.
- Make sure the ball detent system is working properly. (see pages 28 and 29).
- Be sure the LPR and Hyper3™ are not set too high (see pages 22-27).

## EXPLODED VIEW



- 1 Clamping Feed Neck
- 2 Ball Detent Clip
- 3 Eye Seal
- 4 Eye Pipe
- 5 2013 DM Series Body
- 6 FUSE™ Bolt
- 7 Tool-less Rear Cap
- 8 LPR Cap
- 9 LPR
- 10 Solenoid
- 11 Eye Wire
- 12 Hyper3™
- 13 Front Frame Mounting Screw
- 14 Rear Frame Mounting Screw
- 15 Ultralite Frame
- 16 Sticky Grip
- 17 On/Off UL Airport

## 2013 DM SERIES WARRANTY WARRANTY AND LEGAL INFORMATION

### WARRANTY

DYE Precision, Inc. warrants for one year to the initial retail purchaser, from the initial date of purchase, that the paintball marker and regulator are free from defects in materials and workmanship, subject to the requirements, disclaimers and limitations of this warranty. Disposable parts, normal maintenance and standard wear and tear parts such as batteries, O-rings and seals are not warranted. The solenoid and electronic components on the marker are warranted for six months. This warranty does not cover scratches, nicks, improper disassembly, improper re-assembly, misuse, neglect or improper storage. Modification to the product will void the warranty. The only authorized lubricant for the marker is Slick Lube™. Use of any other lubricant will void your warranty. This warranty is limited to repair or replacement of defective parts with the customer to pay shipping costs. Warranty card and proof of purchase must be submitted to DYE Precision for warranty to be in effect. This warranty is not transferable. This warranty does not cover performance. Paintball markers are non-refundable.

### TECHNICAL SUPPORT

Our Technical Support Departments are open Monday through Friday. DYE Precision, Inc. can be reached at 858-536-5183 ext.277 from 8am to 5pm PST. DYE Europe can be reached at +44 (0) 20-8649-6330 from 9am to 5pm GMT. DYE Asia can be reached at 886 (0) 4-2407-9135 from 9am to 5pm GMT +8 hours. Additional support and international contacts are available through our web site, [www.dyepaintball.com](http://www.dyepaintball.com).

### DISCLAIMER

The specifications & photographs in this material are for information and general guidance purposes only. Our products are continually updated and changes may be made to specification, design or appearance from time to time. These are subject to change without notice. Contents of box may therefore vary from owner's manual. For details of changes in design, specification or appearance consult your local distributor or dealer. The FUSE™ BOLT, Hyper3™ and Slick Lube™ are registered trademarks. Design rights, copyrights and all other rights reserved. All patterns, drawings, photographs, instructions or manuals remain the intellectual property of the manufacturer.

DYE Precision, Inc. U.S. Patent # 5,613,483. OTHER U.S. AND INT'L PATENTS PENDING. Covered by one or more of the following U.S. Patents, 5,613,483; 5,881,707; 5,967,133; 6,035,843 and 6,474,326. All rights will be strictly enforced.

DYE Precision, Inc.  
10637 Scripps Summit Ct.  
San Diego, CA. 92131

DYE Europe  
Dye House,  
7-8 Commerce Way  
Croydon, Surrey  
United Kingdom CR0 4XA

DYE Germany GmbH  
Albert Einstein Str. 2 B  
77656 Offenburg  
Germany

DYE Asia  
No. 253, Guojhong Rd.  
Dali City, Taichung County 412  
Taiwan (R.O.C.)