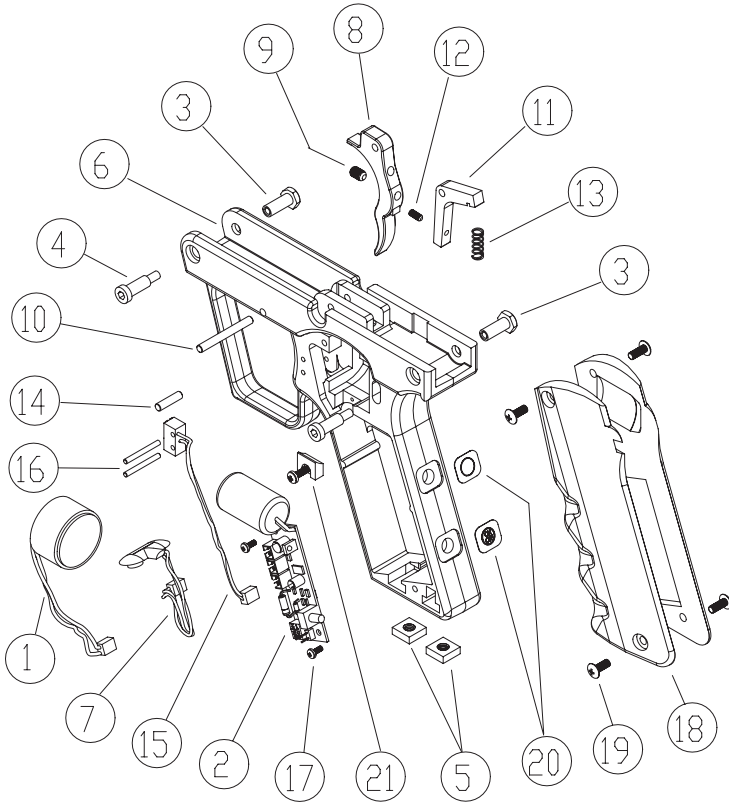




**EMPIRE**  
BATTLE TESTED

**BT-4 SERIES MARKERS**

### Electronic Grip Parts List



SCHEMATIC#	DESCRIPTION	SKU#
1	Solenoid (complete)	17046
2	Circuit board	19378
3	Lower Receiver Acorn Nut	19400
4	Lower Receiver Screw	19401
5	Tank Adapter Nuts	19423
6	Frame	20167
7	Battery Harness	20168
8	Trigger	20175
9	Trigger Set Screw	20176
10	Trigger Pin	20177
11	Sear	20178
12	Sear Set Screw	20179
13	Sear Spring	20180
14	Sear Pin	20181
15	Trigger Switch	20182
16	Trigger Switch pin	20183
17	Circuit Board Screw	20184
18	Grips	20185
19	Grip Screws	20186
20	Frame Decals (2pc)	20187
21	Solenoid Retainer (2pc)	20188