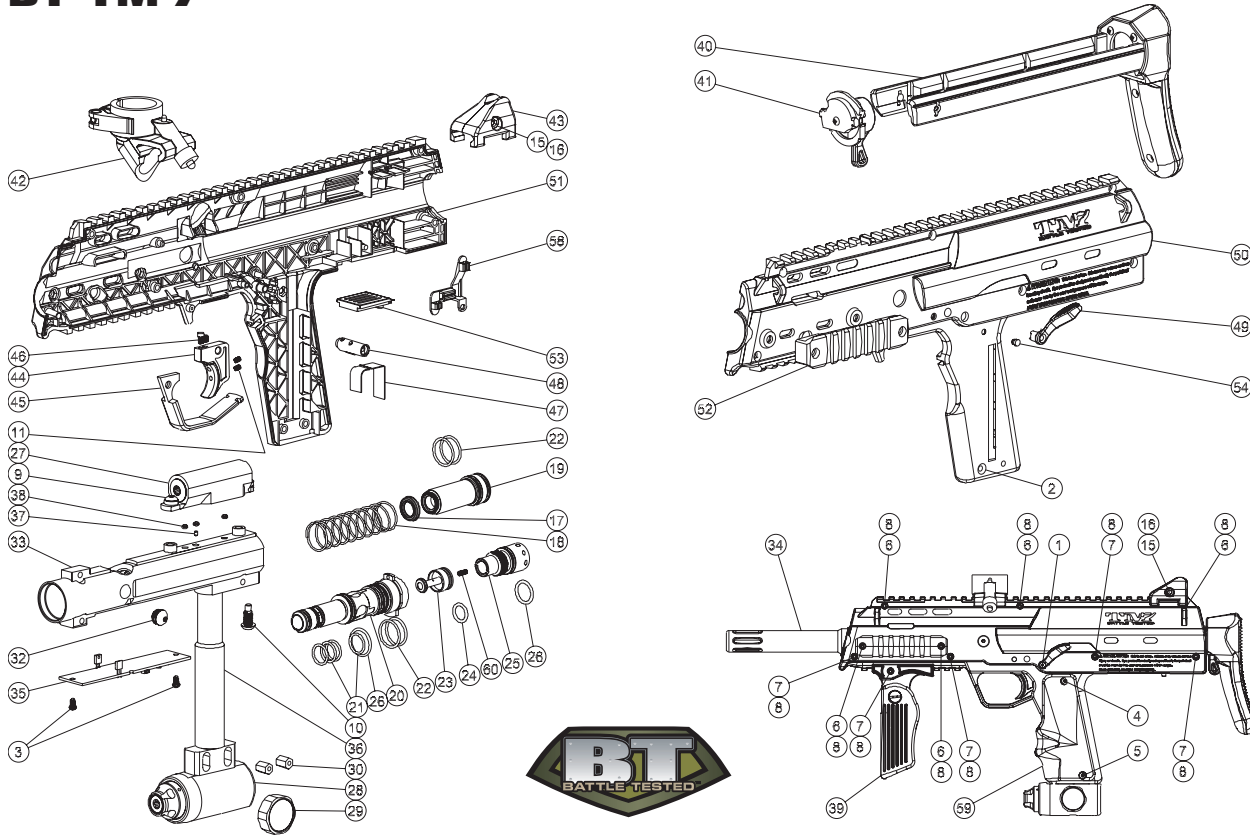


BT™
BT TM-7™



description	item no.	description	item no.
1 Selector Screw (Flat Head 4-40 X .5)	17650	33 Main Body	17677
2 Frame Screw (Flat Head 6-32 X .313)	17651	34 Barrel	17678
3 Circuit Board Screw (Button Head 6-32 X .157)	17652	35 Circuit Board	17679
4 Grip Screw-top (Button Head 6-32 X .250)	17653	36 Air Transfer Tube	17680
5 Grip Screw-bottom (Button Head 6-32 X .438)	17654	37 Check Valve (Air Restrictor)	17531
6 Short Shell Screw (Socket Head 6-32 X .5)	17655	38 Solenoid Air Transfer Orings	17682
7 Long Shell Screw (Socket Head 6-32 X 1.0)	17656	39 Fore-grip Assembly	17683
8 Shell Hex Nut (6-32 .25 Wide X .092 Thick)	17657	40 Stock Assembly	17689
9 Solenoid Screw (Button Head 10-24 X .250)	17658	41 Stock Lock Assembly	17695
10 Bolt Guide Retention Screw (Custom)	17659	42 Clamping Feed Elbow Assembly (Complete)	17757
11 Trigger Set Screw (6-32 X .250 Flat Point)	17602	43 Rear Sight Assembly	17700
15 Rear Sight Screw (Socket Head 10-32 X .656)	19413	44 Single Trigger Assembly	17702
16 Rear Sight Nut (10-32 .375 Wide X .130 Thick)	19415	45 Trigger Guard Single	19399
17 Bolt Rubber Tip	17533	46 Trigger Activation Set Screw W/magnet	17564
18 Spring Main	17535	47 Trigger Spring	17704
19 Bolt	17661	48 Selector Switch Shaft (Complete W/magnets)	17705
20 Bolt Guide	17662	49 Selector Switch Arm	17706
21 Bolt Guide Small O-ring	17537	50 Shell Left Side (Black)	17707
22 Bolt / Bolt Guide Large O-ring	17534	51 Shell Right Side (Black)	17708
23 Poppet (With Spring)	17539	52 Picatinny Side Rail	17709
24 Poppet O-ring	17540	53 Battery Door	17711
25 Bolt Guide Cap	17664	54 Power Button	17712
26 Bolt Guide Cap O-ring	17538	55 Stock Cover Plate	17713
27 Solenoid Assembly (Complete)	17665	56 Circuit Board Harness (Not Shown)	17714
28 Regulator Assembly (Complete)	17671	57 Battery Harness (Not Shown)	17715
29 Regulator Gauge (Plain 300 Psi)	17672	58 Wiring Harness Guide	17716
30 Hex Brass (6-32 Internal Threads)	17673	59 Grips	17717
31 Regulator Opp Assembly (Complete)	17597	60 Poppet Spring	17623
32 Ball Detent Assembly (Complete)	17541	61 Stock Block	17718