



# SPYDER

PASSION FOR PAINTBALL.™



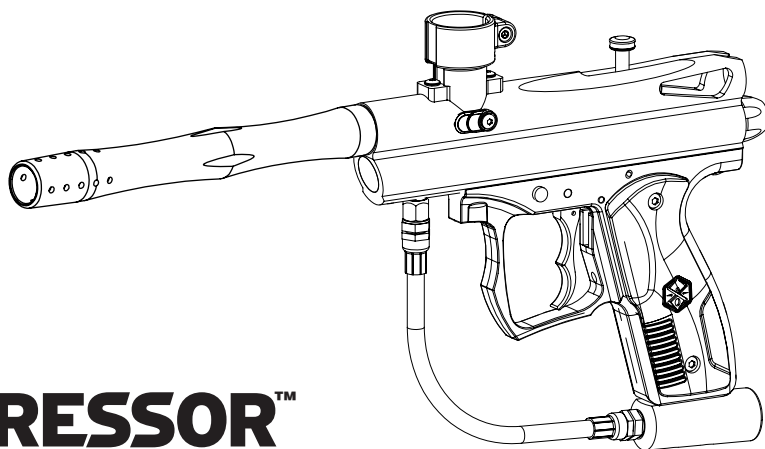
# AGGRESSOR™

.68 CAL SEMI-AUTO MARKER

USER MANUAL

English  
Français





# AGGRESSOR™

.68 Caliber Semi Automatic Paintball Marker

## TABLE OF CONTENTS

IMPORTANT SAFETY GUIDELINES	1
OPERATION GUIDE / START UP	2
8 STEPS TO START AND PLAY	3-4
CRITICAL SAFETY INFORMATION	5-6
CO <sub>2</sub> / COMPRESSED AIR TANK WARNINGS	7
INSTALLING A CO <sub>2</sub> / COMPRESSED AIR TANK	7-8
PROPER USE OF BARREL BLOCKING DEVICE	8
VELOCITY ADJUSTMENT	8-9
A JAMMED PAINTBALL	9
DISASSEMBLE / REASSEMBLE AND CLEANING OF REAR INTERNALS	9-10
Eko™ CUP SEAL REMOVAL	11
TROUBLESHOOTING	12
AIR LEAKS	12
AGGRESSOR™ PARTS LIST	13
AGGRESSOR™ SCHEMATIC	14
WARRANTY STATEMENT	15

## IMPORTANT SAFETY GUIDELINES



### WARNING

- This paintball marker is NOT a toy. Misuse can cause serious injury or death.
- Kingman recommends that the customer be at least 18 years of age to purchase this product. Person under 18 years of age must have adult supervision when using this product.
- Read this User manual before using this product.
- Any modifications or tampering of original factory parts or use non authorized aftermarket accessories will void all warranties and liabilities from Kingman.
- Keep the barrel blocking device on marker when not shooting/playing.
- To ensure proper adjustment of velocity Feet per Second (fps), Kingman strongly recommends using a chronograph for paintball use located or purchased at most paintball stores and paintball fields. The discharges of paintballs are high velocity and high impact that can cause serious injuries or death if misused.
- Before / after use of the marker, check and make sure all screws are securely tightened. Loose screws may prevent the marker from functioning properly. A paintball marker NOT properly maintained can be dangerous and can cause serious injury or death.
- Any person using this product or within range of this product while it is in use MUST wear EYES/FACE, EARS PROTECTION designed specifically for the sport of paintball. This includes, but is not limited to, performing a maintenance, velocity check and target practice.
- Kingman reminds the user that SAFETY IS YOUR RESPONSIBILITY. Protect your eyes/face and ears at all times, and will not be held liable for injuries or death sustained when failing to follow the safety guidelines.
- Never shoot or point your marker at a person that is not in a designated paintball facility and without proper paintball EYES/FACE/EARS PROTECTION. The protection includes and not limited to the protection of eyes, face, ears, neck and head. Avoid shooting underneath the paintball goggles.
- DO NOT point or shoot at any Law Enforcement Officer.
- Treat every paintball marker as if it were loaded.
- Never look down the barrel of a loaded or unloaded marker.
- Always keep the paintball marker in SAFE mode until ready to operate.
- Always remove the air source and all paintballs from the marker, this includes paintballs inside the breach of the marker, before disassembly or maintenance.
- Fire only 0.68 caliber paintballs with this product.
- Always make certain the bolt of the marker is in the un-cocked position when not shooting/playing.
- Using a paintball marker outside of a non designated paintball field can be illegal, and is subject to law enforcement penalties if property damage is caused by the user.
- Never point or shoot your marker at an animal.
- Never point the barrel toward yourself while playing, running or stumbling to avoid shooting underneath your paintball goggles.
- Wear appropriate dress to avoid any exposure of skin to protect you when playing paintball games.
- Transfer this User manual upon change of marker ownership.
- Please visit [www.spyder.tv](http://www.spyder.tv) for the latest User Manual updates.

## OPERATION GUIDE / START UP



**WARNING:** Always keep the marker powered OFF or on SAFE until you are ready to fire.

1. Always attach a barrel blocking device over the tip of the barrel for safety precautions when the marker is not in use.
2. Kingman recommends having the marker in the "SAFE" position before use. To operate, push the safety button from the "PUSH SAFE" side of the trigger frame. This will position the marker in a lock safe mode. To disengage the safety button in a safely manner, point the marker in a safe direction, and push the safety button towards the "PUSH FIRE" side of the trigger frame.
3. Place the barrel plug or barrel blocking device over the barrel for safety precaution when the marker is not in use.
4. Attach the CO2 / Compressed air tank to the C/A Adapter. **HELPFUL TIP:** Make sure to have the CO2 / Compressed air tank filled before attaching. Tighten the tank clockwise in the markers C/A Adapter until it is snug. If an air leak occurs between the tank and the C/A Adapter, replace with a urethane bottle O-ring. **NOTE:** O-rings in the markers parts kit are not supplied to attach with a CO2 / Compressed Air Tank. **IMPORTANT:** You should never need to use any hand tool to attach a CO2 / Compressed Air Tank to the C/A Adapter.
5. Attach the paintball loader to the markers Feed Neck and fasten the Clamping Screw. **NOTE:** Fill your paintball loader with only .68 caliber paint.
6. Cocking the marker. Pull the Top Cocking Knob rearward until the Delrin Bolt latches. **CAUTION:** Should you let go of the Top Cocking Knob before it latches, your marker may fire.
7. Remove barrel plug or barrel blocking device over the barrel.
8. **CAUTION:** With the safety button released in the FIRE position the marker is LIVE. By pulling the trigger will fire a paintball. **IMPORTANT:** In a safe direction or in a designated playing field should you only test the markers capability.
9. Performing a velocity (fps) check. Turning the Velocity Adjuster & Spring Guide clockwise will increase the velocity (fps). Counter-clockwise will decrease the velocity (fps). **NOTE:** Your marker is intended to be used in a paintball facility with the proper paintball protection. **IMPORTANT:** Kingman recommends using a chronograph to ensure the marker's Velocity is under 300 (fps).
10. Detach the paintball loader and all paintballs from the marker. When finished playing remove the paintball loader from the marker. **CAUTION:** There may be a paintball in the markers breach; take a couple of shots in a safe direction to make sure the barrel and Receiver are empty.
11. Place the barrel plug or barrel blocking device over the barrel for safety precaution when the marker is not in use. This will help avoid any accidental discharge.
12. Kingman recommends having the marker in the "SAFE" position after use.
13. Unscrew the CO2 / Compressed air tank from the markers C/A Adapter. By turning the tank counter-clockwise will detach from the markers C/A Adapter. **CAUTION:** Never expose any skin underneath the C/A Adapters bleed hole when removing the tank. This can run the risk of getting skin burn from the releasing of the GAS. **IMPORTANT:** You should never need to use any hand tool to detach a CO2 / Compressed Air Tank.
14. Store the marker in a paintball bag or in a safe place. **HELPFUL TIP:** Before / after use of the marker, make sure to fasten all Screws. Screws can become loss cause of vibration. It's a good practice to lubricate your marker before and after each use, especially when storing the marker for an extended period of time. Add a few drops of paintball gun oil on the Striker O-ring (SEE DISSEMBLE / REASSEMBLE). Before storing the marker, make sure to have the marker in the uncocked position. This way the main spring does not lose its tension.

### IMPORTANT

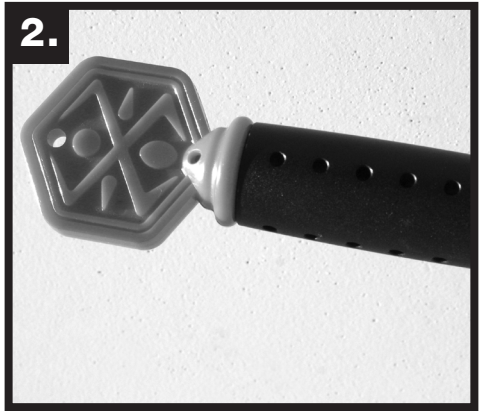
- Firing velocity may vary according to altitude and climate conditions.
- Before using your marker in play, you must always first perform a "SAFE VELOCITY TEST". This can only be accomplished by using a testing device called a "Velocity Chronograph" and can be performed at a paintball dealership or a local playing field. **NOTE:** This product is intended to be used at a velocity no greater than 300 feet per second (FPS). This product is NOT intended to be used at any distance less than 25 feet without EYE/FACE PROTECTION.
- This paintball marker may have excess gas after the removal of the CO2 / Compressed air tank. Please remove all paintballs and discharge the remaining gas safely.
- Never store a CO2 / Compressed air tank attached on the marker while not supervised.

## 8 STEPS TO START AND PLAY

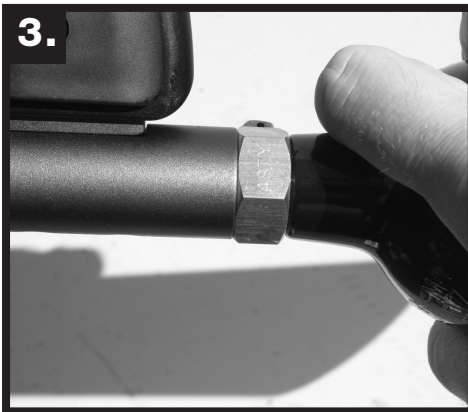
**IMPORTANT:** Please read the Safety and Operation Guidelines before you start the 8 quick steps to Start and Play.



**1.**  
**Make sure the safety is ON**



**2.**  
**Insert the barrel blocking device**



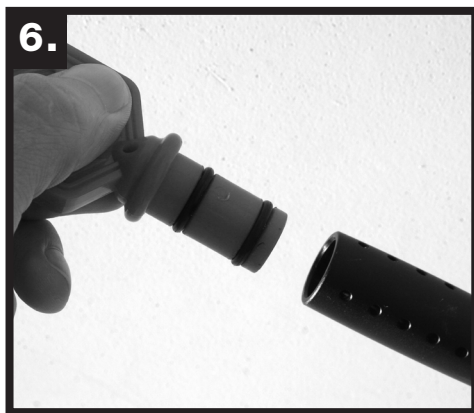
**3.**  
**Install a CO2/Compressed air tank**



**4.**  
**Install a paintball loader and add paintballs in the loader**



**5.**  
Put on your paintball goggles and  
cock back the marker



**6.**  
Remove the barrel blocking device



**7.**  
Unlock the safety



**8.**  
Ready to play fire

**IMPORTANT:** Make sure the Marker is in the SAFE MODE and the barrel blocking device is on the Marker's barrel after PLAY.

\* The model shown is for picture only. It may not represent the model you have.

# ⚠ CRITICAL SAFETY INFORMATION ⚠



**NEVER** look down the barrel with or without your paintball goggles ON.

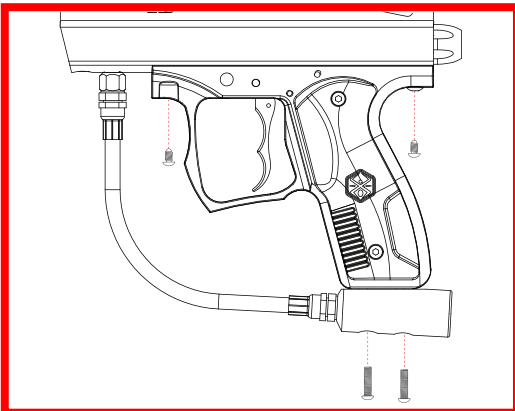
**NEVER** look down the barrel of a loaded or unloaded marker.

**WARNING: UNSAFE**



**NEVER** shoot or point your marker at a person that is not in a designated paintball facility and without proper EYES/FACE/EARS protection designed specifically for the sport of paintball.

**WARNING: UNSAFE**



Before / after use of the paintball marker, check and make sure all screws are securely tightened. Loose screws may prevent the paintball marker from functioning properly.

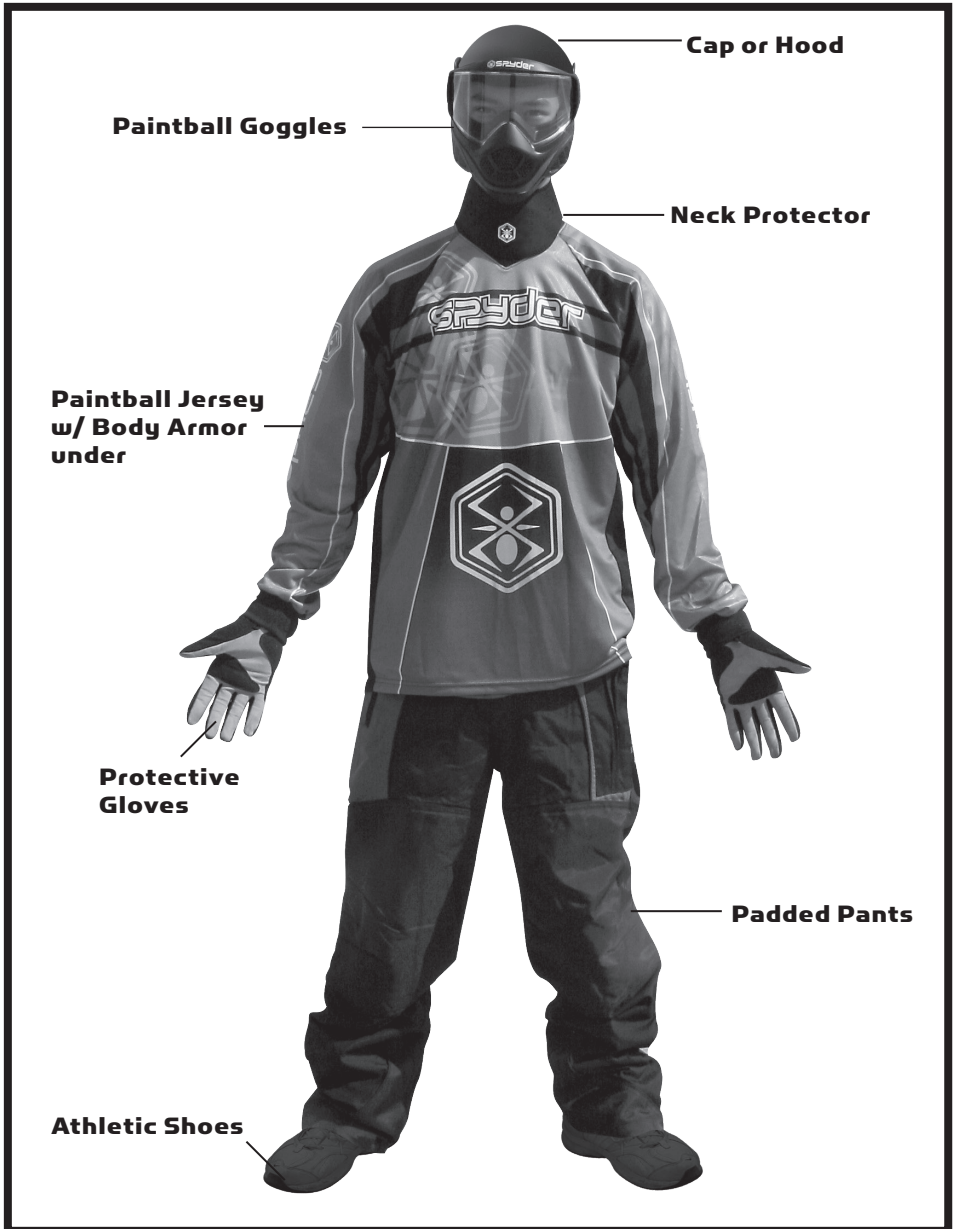
**NOTE:** Some screws may not be highlighted in diagram.

**IMPORTANT:** Please read the Owner's Manual before you play.

\* The model shown is for picture only. It may not represent the model you have.

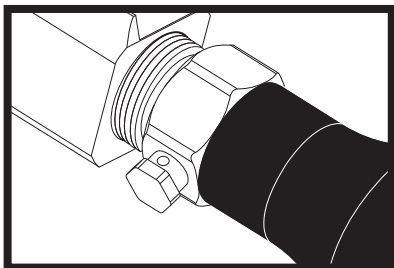


# RECOMMENDED PAINTBALL SAFETY GEAR

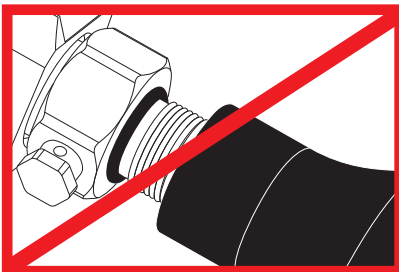


Wear appropriate dress attire to avoid any exposed skin when playing paintball. We recommend purchasing a Paintball Goggles, Neck Protector, Paintball Jersey or Long Sleeve shirt, Body Armor, Protective Gloves, Athletic Shoes and Padded Pants.

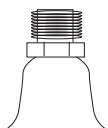
## CO2 / COMPRESSED AIR TANK WARNINGS



**SAFE**



**WARNING: UNSAFE**



**DANGER**

The CO2 or Compressed Air Tank can fly off with enough force to cause serious injury or death if the Valve unscrews from the cylinder head. LOOK at the Valve when removing the cylinder from the marker. Be sure that the valve is turning with the cylinder rather than remaining stationary with the marker. STOP if the Valve starts to unscrew from the cylinder. If in doubt, screw the cylinder back onto the marker and contact a trained person for repair.

## CO2 / COMPRESSED AIR TANK WARNINGS

- All valves must only be installed or removed by a qualified airsmith.
- See CO2 / Compressed Air tank labels for retest dates. Cylinder tanks must be retested periodically.
- Improper use, filling, storage or disposal of all air cylinders may result in death, personal injury and/or property damage.
- Always keep cylinders out of reach from children or any inexperienced person(s).
- Only properly trained personnel in accordance with CGA Pamphlets P.1 and G-6.3 must fill all air cylinders. Pamphlets are available from the Compressed Gas Association or [www.CGANET.com](http://www.CGANET.com).
- Never alter the cylinder in any way.
- DO NOT expose pressurized cylinders to temperatures in excess of 130 °F (54 °C).
- Cylinders heated to an excess of 250 °F (121 °C) must be condemned or requalified in accordance with test defined in CFR-49.
- The valve should NEVER be detached from the canister. Please seek immediate assistance from a trained airsmith should this occur.
- Any tank packed with the product is intended for paintball use only.
- Confirm that there is an attached urethane O-ring on the CO2 / Compressed Air tank valve before attaching the tank to the marker. The tank will leak air as soon as it is secured to the marker, if the O-ring is missing from the valve.
- A urethane O-ring is highly recommended before attaching any air supply to the marker.
- NEVER over pressurize a CO2 / Compressed Air cylinder.
- Avoid any direct skin exposure to the escaping gas, when installing or removing any air supply.
- Never expose cylinders to corrosive materials or clean with any caustic cleaners.

## INSTALLING A CO2 / COMPRESSED AIR TANK

Firmly screw the CO2 / Compressed Air Tank clockwise into the marker's C/A Adapter. **HELPFUL TIP:** Before installing a CO2 / Compressed Air Tank, make sure that the tank is full and that it has a urethane bottle on the top of the valve to prevent air leaks.

**IMPORTANT:** You should never need to use any hand tool to attach a CO2 / Compressed Air Tank to the C/A Adapter.

## REMOVING A CO<sub>2</sub> / COMPRESSED AIR TANK

Firmly unscrew the CO<sub>2</sub> / Compressed Air Tank by turning the tank counter-clockwise until it comes out of the C/A Adapter. **HELPFUL TIP:** After firing the marker, you should ALWAYS remove the CO<sub>2</sub> / Compressed Air Tank before storing. When the tank is being removed, excess air will release from the C/A Adapter. **CAUTION:** Never expose any skin to the C/A Adapters bleed hole when removing the tank. This is to avoid the risk of getting skin burn from the escaping GAS.

**IMPORTANT:** You should never need to use any hand tool to detach a CO<sub>2</sub> / Compressed Air Tank from the C/A Adapter. If you cannot remove a tank by hand please see a certified armsmith for assistance.

## PROPER USE OF YOUR BARREL BLOCKING DEVICE

A Barrel Blocking Device or "BBD" is an essential part of your paintball safety equipment. The Barrel Blocking Device is designed to stop a paintball from exiting a paintball marker accidentally. Improper use of the Barrel Blocking Device will render this device useless.

### BARREL SOCK/BAG TYPE DEVICE

Place the bag/sock part of the Barrel Blocking Device over the end of your barrel and wrap the elastic cord around the back end of your marker.

Adjust the length of the elastic cord to make sure your Barrel Blocking Device fits securely over your markers barrel.

**NOTE:** If the elastic cord is too long you can tie a couple of knots around the cord to shorten its length.

### BARREL PLUG TYPE DEVICE

Insert the barrel plug securely into the end of your markers barrel before proceeding to load paintballs and screwing in your tank to your marker.

The barrel plug should fit firmly into the barrel with a significant amount of resistance. **NOTE:** The barrel plug should not be easy to remove and always inspect the O-rings to make sure they are not worn or cut.

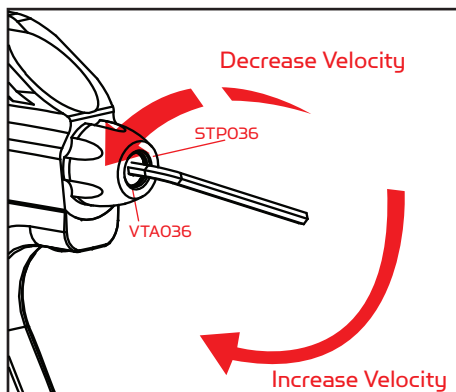
Remove the Barrel Blocking Device only when you are getting ready to begin play or have been instructed to do so by a field safety official.

Always keep your Barrel Blocking Device on your marker after you have finished playing. Keep it in place even after you have emptied all paintballs and removed your air tank from your paintball marker.

**WARNING:** Inspect your Barrel Block Device regularly for wear and any tear if it is worn, replace it immediately.

Always have your Barrel Blocking Device in place on your markers barrel to insure safety and prevent accidents that may cause permanent injury or even death.

## VELOCITY ADJUSTMENT INCREASE / DECREASE



To **INCREASE** your velocity FPS (Feet Per Second) using the Allen wrench turn the Velocity Adjuster / Spring Guide clockwise.

To **DECREASE** your velocity FPS (Feet Per Second) using the Allen wrench turn the Velocity Adjuster / Spring Guide counter-clockwise.

## VELOCITY ADJUSTMENT INCREASE / DECREASE CONT.

### WARNING

- The recommended Velocity speed should be no greater than 300 fps. Not doing so can cause serious injury if the Velocity is dangerously high.
- Paintball markers are not intended to shoot any person less than 25 feet.
- Never point a loaded marker at any person who is not wearing the proper face protection.
- Never at any point should you look down the barrel, whether the marker is loaded or not.
- Using a paintball marker outside a non designated paintball field can be illegal, and is subject to law enforcement penalties if property damage is caused by the user.

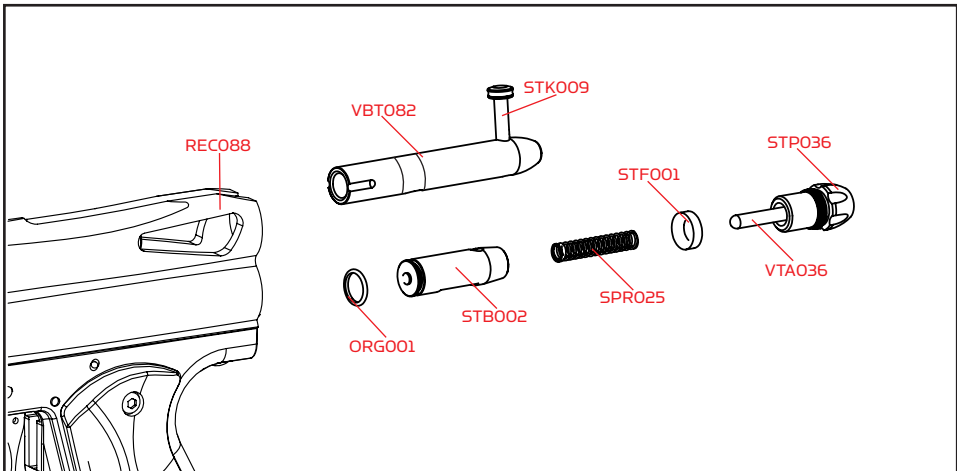
## A JAMMED PAINTBALL

In the event of a paintball break and the Bolt jams, follow these steps to help un-jam the marker. The markers breach is located where the barrel starts to thread in the Receiver and underneath the markers feed neck. Before attempting to un-jam the Bolt you should always have your Goggles or Safety Glasses on. Make sure the marker is in the SAFE / OFF position before attempting to un-jam the Bolt. Remove the CO2 / Compressed Air Tank before attempting to un-jam the marker. Remove all paintballs and the loader from the feed neck. Have the barrel removed from the Receiver to allow the paintball(s) to exit. With enough force tension on the Top Cocking Knob, pull back to release the Bolt from the jammed position. Another method is to use a "Straight Shot Squeegee" or the end of a wood dowel rod; push against the face of the Bolt with enough force to release the jammed Bolt. Always clean the paint from the breach and barrel to enhance the performance of your marker.

**IMPORTANT:** Never look down the barrel of the marker when loaded or unloaded. Remove the attached CO2 / Compressed Air Tank before attempting to un-jam the Bolt.

**NOTE:** Never use a metal rod or screwdriver as a tool to push on the Bolt, anything metal will scratch and damage the inside of the marker.

## QUICK CLEAN & DISASSEMBLE / REASSEMBLE REAR INTERNALS



Part Names and Numbers describe in this section:

Top Cocking Knob (#STK009)  
Delrin Bolt (#VBT082)  
Striker Bolt (#STB002)  
Receiver (#REC088)

Striker O-ring (#ORG001)  
Striker Spring (#SPRO25)  
Striker Buffer (#STF001)  
Striker Plug (#STP036)  
Velocity Adjuster (#VTA036)

## Quick Clean Disassemble

Lift upward on the Top Cocking Knob to disconnect the Delrin Bolt from the Striker Bolt. This will allow the Delrin Bolt to slide out from the rear of the Receiver. **HELPFUL TIP:** Removing the Delrin Bolt from the Receiver will allow easy access to clean with a squeegee. **NOTE:** Make sure the hole on the Striker Bolt is facing upright when looking thru the Receiver. This will allow the Top Cocking Pin to correctly fasten with the Striker Bolt.

**IMPORTANT:** The air passage hole located in the middle of the Delrin Bolt should always be facing downward when reinstalling. If the Delrin Bolt is not installed correctly, paintballs will not exit out of the barrel normally.

## Disassemble Rear Internals

**STEP 1** Lift upward on the Top Cocking Knob to disconnect the Delrin Bolt from the Striker Bolt. This will allow the Delrin Bolt to slide out from the rear of the Receiver

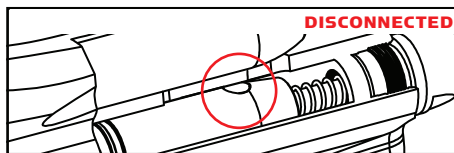
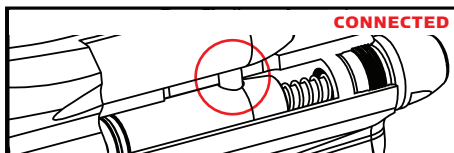
**STEP 2** With a firm grip on the Striker Plug, turn the Striker Plug counter-clockwise to remove. This will allow all internal parts such as the Velocity Adjuster & Spring Guide, Striker Spring, Striker Buffer and Striker Bolt to slide from the rear of the Receiver. **NOTE:** Remove the Striker Plug only with the marker in the un-cocked position. This will prevent the internals from springing out because the Striker Spring is compressed. **HELPFUL TIP:** Placing your finger behind the Striker Plug before removing this will prevent the markers internals from springing out.

**STEP 3** Remove items in order; Striker Plug w/Velocity Adjuster, Striker Spring and Striker Buffer.

**STEP 4** Slide the Striker Bolt out of the rear of the Receiver. **HELPFUL TIP:** When the internals are removed it would be wise to clean any dirt or paint from the inside of the Receiver with a squeegee and wipe the Delrin Bolt clean with a rag or paper towel. Apply some paintball gun oil on Striker O-ring periodically.

**IMPORTANT:** It is not necessary to disassemble the rear internals for basic maintenance unless the Striker O-ring needs to be replaced.

## Reassemble Rear Internals



**STEP 1** Reinsert the Striker Bolt with Striker O-ring facing toward the front of the marker with the flat spot of the Striker Bolt facing down. **NOTE:** Having the Power Switch ON will ease reentry of the Striker Bolt. Apply thumb pressure behind the Bolt and at the same time pull on the Trigger. Repeat this process until the Bolt is fully inserted. **NOTE:** The hole on the Striker Bolt should be facing upright when looking thru the Receiver. **NOTE:** The images above display the Delrin Bolt "connected" to and "disconnected" from the Striker Bolt.

**STEP 2** Insert the Striker Buffer flush with the receiver and place the Striker Spring thru the Striker Buffer.

**STEP 3** Tighten firmly the Striker Plug w/Velocity Adjuster & Spring Guide to the rear of the Receiver.

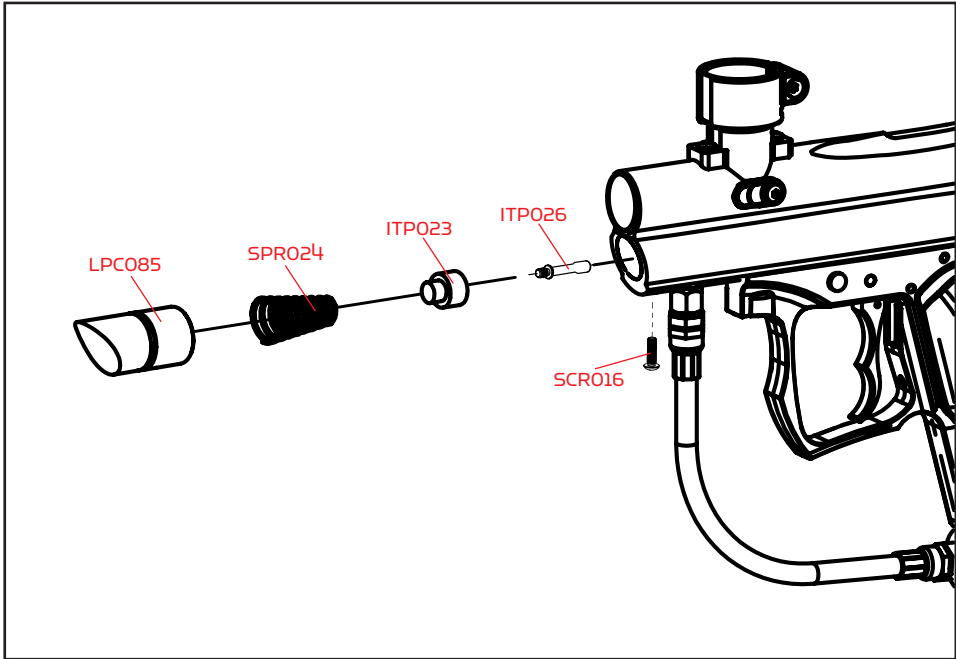
**STEP 4** Insert the Delrin Bolt thru the rear of the Receiver with the Top Cocking Pin. Press downward on the Top Cocking Pin to gain entry with the Striker Bolt. **NOTE:** If the Striker Bolt hole is not aligned upright, the Top Cocking Pin will not fasten correctly.

### WARNING

Before/after use of the marker, make sure to fasten all screws. Screws may become loose due to vibration. Loose screws can be dangerous and cause injury.

To assure that the marker is assembled properly, follow the schematic drawing or position parts in order during disassembly. Parts assembled backwards or improper parts installed will/can cause the marker to malfunction.

## Eko™ CUP SEAL REMOVAL



Part Names and Numbers describe in this section:

Vertical Screw (#SCR016)

Valve Spring (#SPR024)

Eko™ Cup Seal (#ITP023)

Front Plug (#LPC085)

Eko™ Valve Pin (#ITP026)

### STEP BY STEP Eko™ CUP SEAL ACCESS

The following steps will provide easy access to the Eko™ Cup Seal. The sign of a worn out Eko™ Cup Seal is the presence of CO<sub>2</sub> / Compressed Air leaking down the barrel.

**STEP 1** Loosen the Vertical Screw that holds the Front Plug in front of the Receiver.

**STEP 2** Slide the Front Plug out of the Receiver.

**STEP 3** Once the Front Plug has been removed the Valve Spring, Eko™ Valve Pin, Eko™ Cup Seal Guide and Eko™ Cup Seal will be attached.

**STEP 4** Detach the Valve Spring from the Front Plug, and then unscrew the Eko™ Cup Seal from the Eko™ Valve Pin. Replace the Eko™ Cup Seal with a new one supplied in the Spare Parts Kit.

**STEP 5** Detach the Valve Spring from the Vertical Adapter, and then unscrew the Eko™ Cup Seal from the Eko™ Valve Pin. Replace the Eko™ Cup Seal with a new one supplied in the Spare Parts Kit.

Once these steps have been completed, replace the damaged Eko™ Cup Seal and reassembly all parts back in the Receiver. **HELPFUL TIP:** Please note how the parts are removed for easy reassembly.

**CAUTION:** Use the proper Allen wrenches to fasten all screws and never apply more force than necessary.

**IMPORTANT:** Always remove the Air Tank before any disassembly of your marker. Do not remove the Eko™ Valve Body unless specific Eko™ Valve Body repairs are needed. Do not remove the Eko™ Valve Body with a screwdriver as it will damage the Eko™ Valve Body Lip and cause air leaks. **NOTE:** The Eko™ Valve Body Screw screw must be removed prior to taking out the Eko™ Valve Body.

## TROUBLESHOOTING

### One or more of the following may cause recocking related issues:

- Need lubrication on the following O-ring (#ORG001) (See Disassemble / Reassemble).
- The pressure in the tank is too low and possibly needs to be refilled.
- Striker O-ring (#ORG001) is damaged or missing. Replace with a new Kingman approved Striker O-ring.  
**NOTE:** The Striker O-ring cannot be substituted with a black or urethane bottle o-ring.
- Dirt or broken paint shell fragments in the Receiver can cause the marker to have recocking issues. Using a squeegee thru the upper portion of the Receiver will remove most of the dirt or broken shell fragments. Should this issue continue please (See Disassemble / Reassemble) to remove the markers internals for complete cleaning
- Using low quality paintballs can cause the marker to experience recocking issues cause of the shape of the paintballs.

**HELPFUL TIP:** Paintballs have a shelf life and can become too fragile for use. Paintballs can take a different shape in time so would be wise to size the paintball with your barrel.

---

## AIR LEAK

**IMPORTANT:** Always remove the air tank and paintballs before any disassembly of the marker.

- Air leaking from the Front Plug means the O-ring (#ORG002) will need to be oiled or replaced.
- Air leaking from the Vertical Adapter means the O-ring (#ORG008) will need to be oiled or replaced.
- Air leaking down the barrel is usually caused by a worn or damaged Eko™ Cup Seal (#ITP023). (see Eko™ Cup Seal Removal) should the Eko™ Cup Seal need to be exchanged.
- Never remove Eko™ Valve Body (#ITP025) unless specific repairs are needed.
- A nick or scratch on the lip of the Eko™ Valve Body can cause an internal air leak (see Eko™ Cup Seal Removal). The Eko™ Valve Body may need to be replaced.
- Air leaking thru the Receiver and out of the Trigger Frame would indicate the Eko™ Valve Body O-rings (#ORG002) will need to be replaced.
- If air is leaking thru the opposite end of the hose fittings, please check the following:
- The female end of the hose must have a plastic washer (#HSF004) installed inside the hose collar and be tightened properly.

**IMPORTANT:** The hose line supplied has metric female ends. This will not install into American 1/8" (NPT) threaded fittings. If installed incorrectly, it is possible to damage the attachment fittings and hose line.

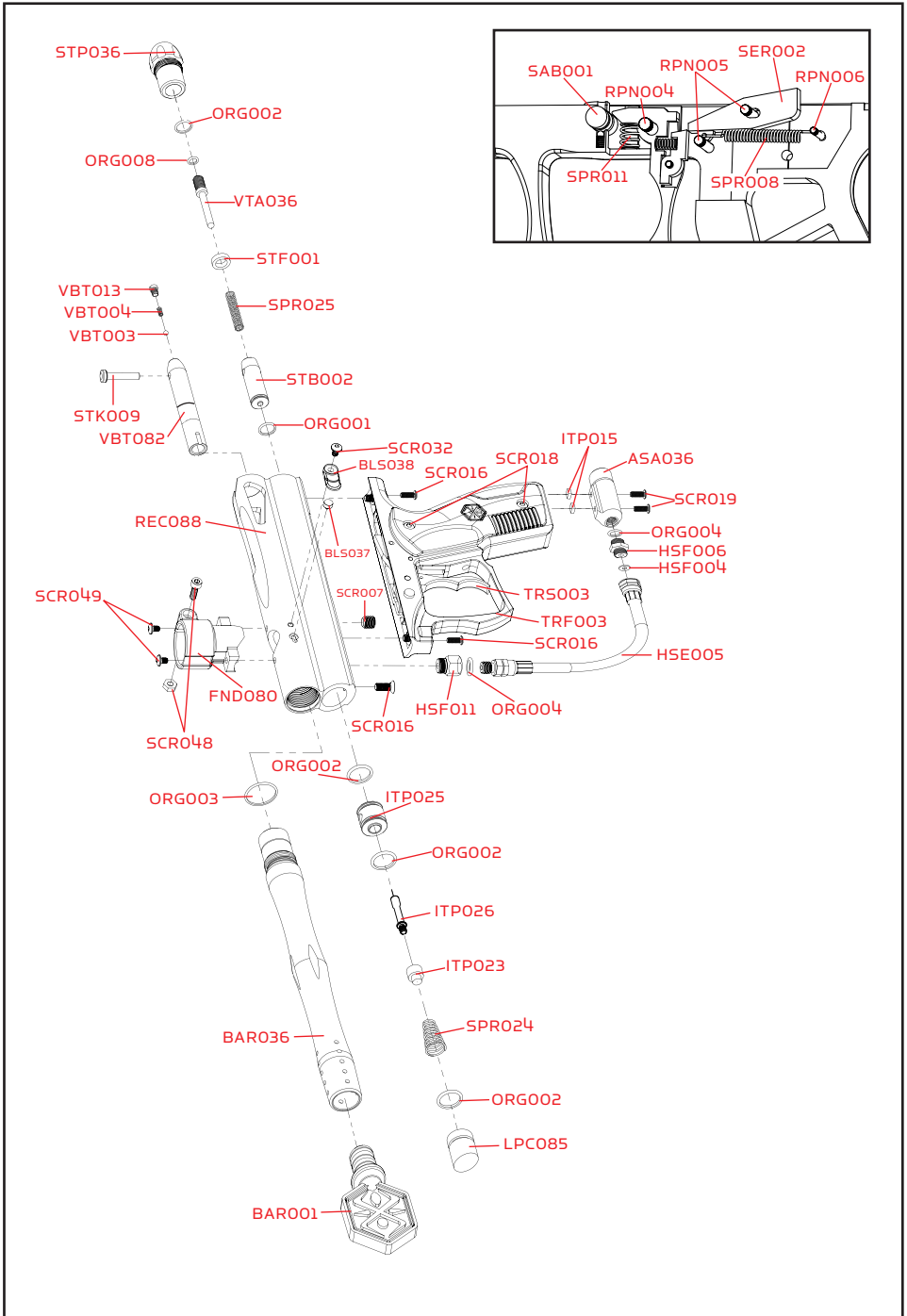
**HELPFUL TIP:** To assure marker is assembled properly, follow the schematic drawing or position parts in order during disassembly. Parts assembled backwards or improper parts installed will / can cause the marker to malfunction.

## AGGRESSOR™ PARTS LIST

ASA036	C/A Adapter Angled (diamond black)	SAB001	Safety Button (C)
BAR001	Spyder Barrel Plug	SCR007	Valve Body Screw (A)
BAR036	1PCS Barrel 10" (diamond black)	SCR016	M5 x 12 Screw (A)
BLS037	Rubber Ball Detent	SCR018	M3 x 8 Screw (+)
BLS038	Detent Cover (plastic curve)	SCR019	M5 x 28 Screw C/A Adapter Screw (A)
FND080	Feed Neck 2012 (plastic)	SCR032	M4 x 6 Ball Detent Screw (A)
GRP009	Rubber Grip Cover 12 (black)	SCR048	Feed Neck Clamp Screw & Nut
HSE005	Disconnect Hose 7.75"	SCR049	M4 x 8 Screw (+) Feed Neck Screw
HSF004	Plastic Washer	SER002	Sear (semi)
HSF006	Male to Male Adapter (met x met)	SPR008	Sear Spring (semi)
HSF011	Metric Female to Standard Male Adp	SPR011	Trigger Spring (semi)
ITPO15	C/A Adapter Screw Nut	SPR024	Valve Spring
ITPO23	Eko™ Cup Seal	SPR025	Striker Spring 110.mm
ITPO25	Eko™ Valve Body	STB002	Striker Bolt
ITPO26	Eko™ Valve Pin	STF001	Striker Buffer
LPC085	Front Plug 12 (diamond black) (semi)	STK009	Top Cocking Knob (semi)
ORG001	Striker O-ring #14.3 1.7 70pu	STPO36	Striker Plug Threaded (diamond black)
ORG002	O-ring #15 80	TRF003	Composite Trigger Frame
ORG003	Barrel O-ring #22 1.5 80	TRS003	Double Trigger (semi)
ORG004	O-ring #11 80	VBT003	Delrin Bolt Locking Bearing
ORG008	O-ring #10 80	VBT004	Delrin Bolt Locking Spring
*PAK085	Aggressor 12 Spare Parts Kit	VBT013	Delrin Bolt Locking Screw
REC088	Aggressor 12 Receiver (diamond black)	VBT082	Delrin Bolt w/O-ring & Locking Knob
RPN004	Trigger Roll Pin (large)	VTA036	Velocity Adjuster & Spring Guide
RPN005	Sear Roll Pin (med)		
RPN006	Secondary Roll Pin (small)		



## AGGRESSOR™ SCHEMATICS



## WARRANTY STATEMENT

Kingman warrants the original retail purchaser that this product is free from defects in material and workmanship under normal use and service for a period of (1) year from the original date of purchase. Any Electronic Components in an Electronic Spyder marker are warranted for (6) months from the original date of purchase. Kingman agrees to repair or replace (at its discretion) any product within (a reasonable period of time). This warranty does not cover o-rings, Eko™ Cup Seals, 9.6v rechargeable battery, charger, scratches, nicks, normal wear and tear of parts, any modifications, normal fading of anodizing and damage caused by dropping or hitting of products. This warranty shall not apply if it is shown by a Kingman Technician that the consumer caused the defect or malfunction because of misuse. This warranty only covers original factory parts. Any modifications or tampering of original factory parts will VOID warranty and liabilities from Kingman. Any damage caused by water will not be covered under warranty. Warranty repair can only be conducted by Kingman technician or Kingman authorized technician. For warranty to be effective, consumer must return the enclosed warranty registration card filled out, along with a copy of the purchase receipt, within (15) days of the original purchase date. This warranty is not transferable. Paintball markers are non-refundable. This warranty will not cover pick up, shipping, delivery, and/or house calls. If product needs repair, consumer will package it carefully and send together with your name, address, phone number and a brief description of the malfunction to:

### KINGMAN GROUP

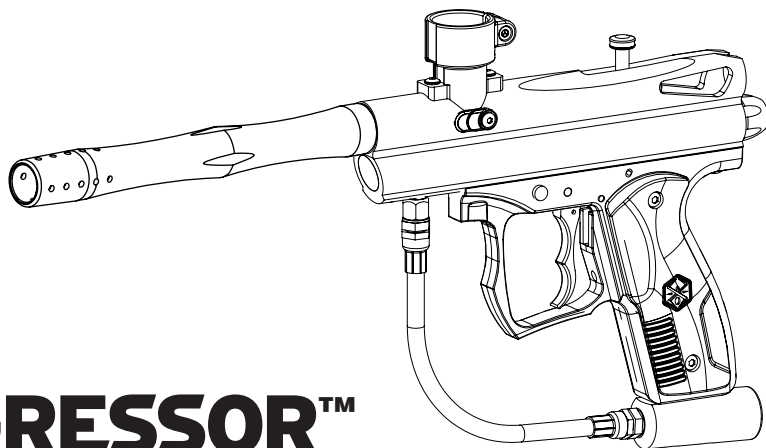
Attn: Tech Department  
14010 Live Oak Avenue  
Baldwin Park, CA 91706 U.S.A.  
[www.kingman.com](http://www.kingman.com)

» Warranty Registration is also available at [www.spyder.tv](http://www.spyder.tv)

### FOR TECHNICAL SUPPORT

Our Technical Support Department is open Monday through Friday, from 8am to 5pm (PST), and can be reached at (626) 430-2300.  
[www.spyder.tv](http://www.spyder.tv)

PASSION FOR PAINTBALL™



# AGGRESSOR™

Marqueur De Paintball Semi Automatique De Calibre .68

## TABLE DES MATIERES

IMPORTANTES CONSIGNES DE SECURITE	17
GUIDE DES OPERATIONS / MISE EN ROUTE	18
8 ÉTAPES POUR COMMENCER À JOUER	19-20
INFORMATIONS IMPORTANTES DE SÉCURITÉ	21-22
CONSIGNE DE SECURITE SUR LA BOUTEILLE DE CO2/AIR COMPRIME	23
MONTER ET DEMONTER LA BOUTEILLE DE CO2 / AIR COMPRIME	23-24
UTILISATION APPROPRIÉE DU BOUCHON DE CANON	24
REGLAGE DE LA VELOCITE	24-25
BILLE COINCEE DANS LA DESCENTE DE BILLE	25
DEMONTAGE/NETTOYAGE/ REMONTAGE DES PIECES INTERNES	25-26
GUIDE DE DEMONTAGE DU Eko™ CUP SEAL	27
FUITE D'AIR	28
QUESTIONS / REPONSES	28
Liste des pièces du Spyder Aggressor™	29
SCHÉMAS DU SPYDER AGGRESSOR™	30
POLICE DE GARANTIE	31

## IMPORTANTES CONSIGNES DE SECURITE



- Ce lanceur de paintball n'est pas un jouet, il peut provoquer des blessures grave voir la mort.
- Kingman recommande que le client soit agé d'au moins 18 ans pour acheter ce produit.
- Lisez le manuel attentivement et les précautions d'emploi de la bouteille d'air avant d'utiliser ce produit.
- Toute modification du produit ou de ses pièces d'origines entraînera l'annulation de la garantie ainsi que la responsabilité de Kingman.
- Kingman recommande d'utiliser un bouchon de canon quand le lanceur n'est pas utilisé.
- Pour s'assurer de la vélocité du lanceur kingman recommande fortement d'utiliser un chronographe spécifique au paintball disponible dans la plupart des boutiques spécialisées ou les terrains de paintball.
- Avant et après l'utilisation du lanceur, vérifiez que toutes les vis sont bien serrées. Les vis peuvent se dévisser à cause vibrations. Une vis mal serrée peut être dangereuse et pourrait causer des blessures.
- Kingman recommande fortement que toute personne utilisant ce produit ou a la portée de ce produit pendant son utilisation doit porter un masque de protection intégrale qui protège les yeux et le visage conçu spécifiquement pour la pratique du paintball. Il est également primordial de porter cette protection non seulement pendant le jeu mais aussi pendant la maintenance, la vérification du lanceur et même pendant du tir sur cible.
- Kingman rappel aux usagers qu'il est votre responsabilité de protéger vos yeux et votre visage tout le temps, et ne sera pas tenu responsable d'accident par négligence en ne portant pas les protections adéquat.
- Ne tirez jamais ou ne visez jamais une personne qui ne porte pas les protections adéquates au paintball et qui ne se trouve pas sur un terrain conçu à la pratique du sport.
- Considérez toujours votre lanceur comme si il était chargé et armé.
- Ne regardez jamais dans le canon que le lanceur soit chargé ou déchargé.
- Toujours garder son lanceur éteint ou sur le mode "safe" jusqu'a son utilisation.
- Toujours démonter la source de gaz du lanceur avant tout démontage.
- Tirez exclusivement des billes de paintball de calibre 0.68 avec ce lanceur.
- Assurez vous toujours que la culasse soit en position désarmée quand vous n'utilisez pas le lanceur.
- Utiliser un lanceur de paintball en dehors d'une zone faite pour le paintball peut être illégal, et peut être passible de poursuites si des dégâts ont été causés par son utilisateur.
- Transférez le manuel de l'utilisateur au nouveau propriétaire en cas de vente.

## IMPORTANTES CONSIGNES DE SECURITE / MISE EN ROUTE



**ATTENTION:** Toujours garder son lanceur éteint ou sur le mode "safe" jusqu'à son utilisation.

1. Kingman recommande d'avoir le lanceur en position "SAFE" avant l'utilisation. Pour verrouiller la sécurité, pousser le bouton du côté "PUSH SAFE" de la poignée. Cela enclenchera la sécurité. Pour désengager la sécurité d'une manière sécurisée, pointer le lanceur dans une direction sans risque et poussez le bouton du côté "PUSH FIRE" de la poignée.
2. Placer le bouche canon sur le canon par précaution quand le lanceur n'est pas utilisé.
3. Attacher la bouteille de CO<sub>2</sub> ou d'air comprimé à l'adaptateur. **CONSEIL:** Assurez-vous que la bouteille de CO<sub>2</sub> ou d'air comprimé soit remplie avant de la monter au lanceur. Vissez la bouteille dans le sens des aiguilles d'une montre dans l'adaptateur jusqu'à ce que la valve s'ouvre. Si vous constatez une fuite entre la valve de la bouteille et l'adaptateur, remplacez les joints toriques uréthane. **NOTE:** Les joints toriques uréthane ne sont pas fournis dans le kit de réparation, ces joints ne sont pas faits pour la valve de la bouteille. **IMPORTANT:** Vous ne devriez jamais avoir à utiliser des outils pour monter ou démonter la bouteille de CO<sub>2</sub> ou d'air comprimé sur l'adaptateur.
4. Attacher un coude et un chargeur électrique à la descente de bille (non représenté) **NOTE:** Remplissez le chargeur uniquement avec des billes de paintball de calibre 0.68.
5. Armement du marqueur. Armez le marqueur en tirant la tirette d'armement vers l'arrière jusqu'à ce que la culasse en Delrin s'enclenche. **ATTENTION:** Si vous lâchez la culasse avant qu'elle ne s'enclenche, un coup pourrait partir.
6. Enlever le bouchon de canon.
7. **PRECAUTION:** Si le bouton de sécurité est enclenché, le lanceur est en mode « live », appuyer sur la détente déclenchera le tir d'une bille. **IMPORTANT:** Toujours tester le lanceur dans une direction sûre ou dans une aire de jeu approprié et vous ne devez que tester les capacités du lanceur.
8. Effectuez un TEST DE VELOCITÉ (fps). Tourner l'ajusteur de vitesse / guide ressort dans le sens des aiguilles d'une montre augmentera la vitesse (fps). **NOTE:** Votre marqueur est destiné à être utilisé uniquement sur un complexe de paintball avec les protections appropriées à la pratique du paintball. **IMPORTANT:** Kingman recommande l'utilisation d'un chronographe pour s'assurer que la vitesse du marqueur soit en dessous de 300 pieds par seconde (fps).
9. Le jeu terminé, retirez toutes les billes de paintball du chargeur puis retirez le chargeur de billes de paintball et le coude vertical du marqueur. **ATTENTION:** Il est possible qu'une bille de paintball se trouve dans la descente de billes; appuyez sur la détente à quelques reprises en pointant le marqueur dans une direction sûre pour vous assurer que le canon et la descente de billes soient vides.
10. Remplacez le bouchon de canon / chaussette à canon, sur le canon quand le lanceur n'est pas utilisé. Ceci évitera tout tir accidentel.
11. Kingman recommande de mettre le marqueur en position "SAFE" après utilisation.
12. Dévissez la bouteille de CO<sub>2</sub> / air comprimé de l'adaptateur C/A du marqueur. Dévissez dans le sens opposé des aiguilles d'une montre. **ATTENTION:** Ne jamais exposer une partie du corps non protégée sous le trou d'évacuation de CO<sub>2</sub> / air comprimé de l'adaptateur C/A lorsque vous enlevez la bouteille. Ceci peut entraîner des risques de brûlure venant de l'évacuation du gaz. **IMPORTANT:** Vous ne devriez jamais avoir besoin de recourir à l'utilisation d'outils pour détacher la bouteille de CO<sub>2</sub> / air comprimé.
13. Placez le marqueur dans un sac de paintball ou dans un endroit sûr. **CONSEIL PRATIQUE:** Due aux vibrations les vis peuvent se desserrer et se perdre. Assurez-vous de resserrer toutes les vis avant et après utilisation du marqueur. Il est conseillé de lubrifier le marqueur avant et après chaque utilisation, surtout lorsque le marqueur n'a pas servi pendant un long laps de temps. Ajoutez quelques gouttes d'huile pour marqueur de paintball sur le joint de marteau. (Voir guide de démontage/ remontage). Avant de ranger le marqueur, assurez vous d'avoir votre marqueur en position désarmée. Ceci évitera que le ressort principal ne perde sa tension.

### IMPORTANT

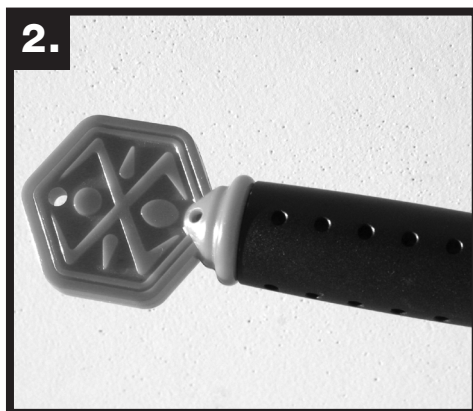
- La vitesse peut varier selon l'altitude et les conditions climatiques
- Avant d'utiliser le lanceur il est impératif de procéder à un « test de sécurité de vitesse ». Pour cela utilisez un appareil appelé « chronographe de vitesse » spécifique au paintball disponible dans la plupart des boutiques spécialisées ou les terrains de paintball. **NOTE:** ce lanceur est conçu pour être utilisé à une vitesse inférieure à 300 pieds par seconde (fps). Ce produit ne doit pas être utilisé sur une personne à moins de 25 pieds.
- Ce lanceur de paintball peut contenir après le démontage de la bouteille de CO<sub>2</sub> ou d'air comprimé un excédent de gaz toujours présent dans le lanceur, toujours enlever les billes du lanceur et tirer quelques coups pour vider l'éventuel excédent de gaz, en s'assurant de le faire prudemment.
- Ne jamais laissé monté une bouteille de CO<sub>2</sub> ou d'air comprimé sur le lanceur si ce dernier n'est pas sous surveillance.

## 8 ÉTAPES POUR COMMENCER À JOUER

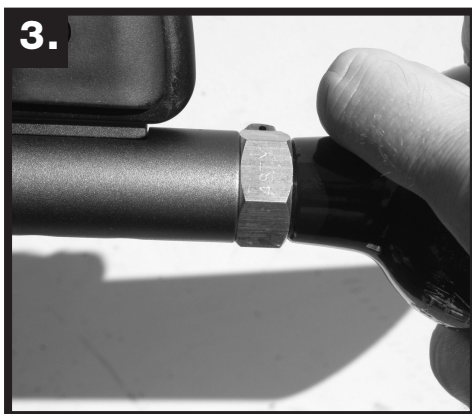
**IMPORTANT:** Lire les recommandations de sécurité et de fonctionnement avant de suivre les 8 étapes rapides pour commencer à jouer.



**1.**  
**Assurez-vous que la sécurité soit sur ON**



**2.**  
**Insérez le dispositif de blocage du canon**



**3.**  
**Installez une bouteille de CO2 / d'air comprimé**



**4.**  
**Installez un chargeur de billes et remplissez-le**



**5.**  
Mettez vos lunettes de paintball et armez le marqueur



**6.**  
Retirez le dispositif de blocage du canon



**7.**  
Déverrouillez la sécurité



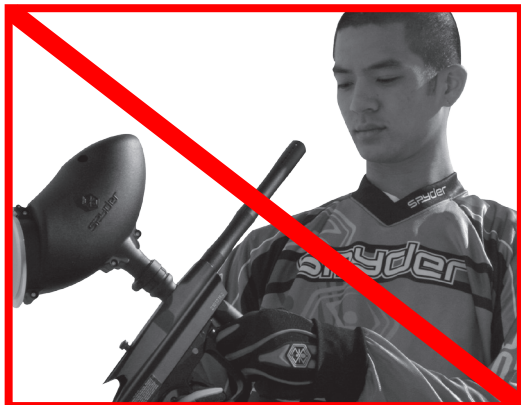
**8.**  
Prêt à jouer et tirer

**IMPORTANT:** S'assurer que le marqueur est en MODE SÉCURITÉ et que le dispositif de blocage du canon est bien en place sur le marqueur après avoir JOUÉ.

\* Le modèle photographié est un exemple. Il peut être différent du modèle que vous utiliserez.



## INFORMATIONS IMPORTANTES DE SÉCURITÉ



Ne **JAMAIS** regarder le fût du lanceur de paintball avec ou sans vos lunettes de protection.

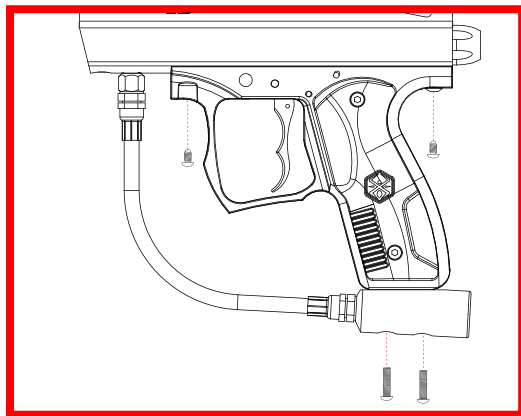
Ne **JAMAIS** regarder le fût d'un lanceur de paintball qu'il soit chargé ou non.

**WARNING: UNSAFE**



Ne **JAMAIS** viser une personne ou tirer avec votre lanceur sur une personne ne portant pas l'équipement requis pour le paintball et sans les protections pour les YEUX/VISAGE/ OREILLES (masque de paintball), spécifiquement conçues pour pratiquer le paintball.

**WARNING: UNSAFE**



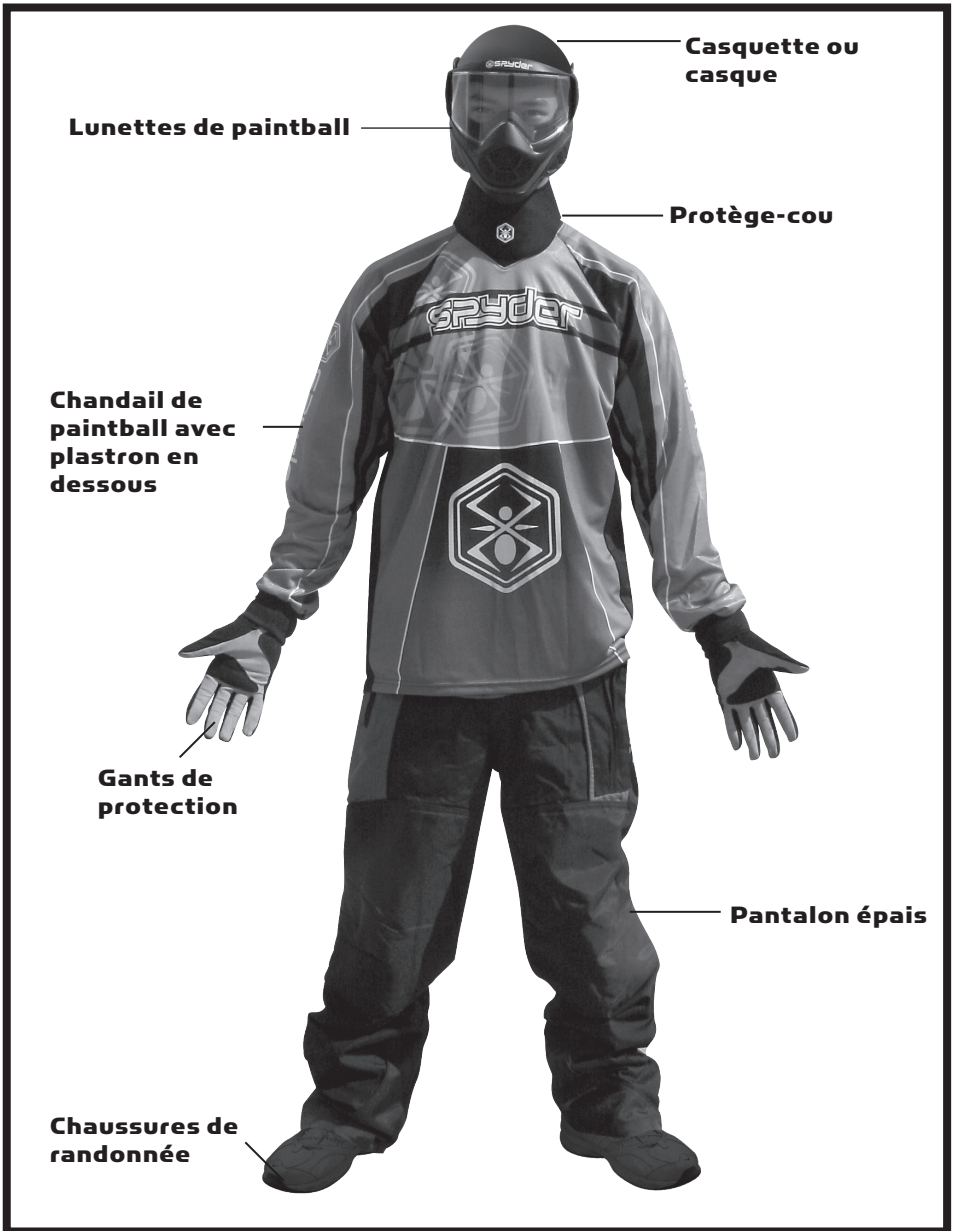
Avant/après l'utilisation du lanceur de paintball, s'assurer que toutes les vis sont bien serrées. Éviter de perdre des vis permet de garantir le bon fonctionnement du lanceur.

**NOTE:** Certaines vis ne figurent pas sur le croquis.

**IMPORTANT:** Merci de lire le Guide de l'utilisateur<sup>1</sup> avant de commencer à jouer.

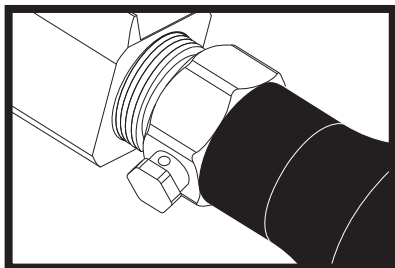


# ÉQUIPEMENT DE SÉCURITÉ RECOMMANDÉ POUR LE PAINTBALL

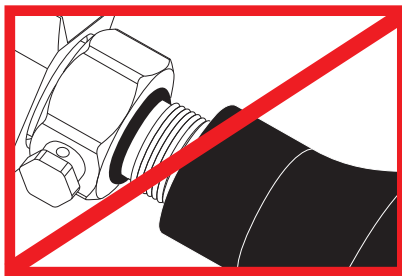


Utiliser la combinaison appropriée afin d'éviter tout contact avec la peau durant la partie de paintball. Nous recommandons d'acquérir un masque, un protège-cou, un chandail de paintball ou un tee-shirt à manches longues, un plastron, des gants de protection, des chaussures de randonnée et un pantalon épais.

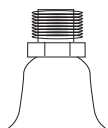
## CONSIGNE DE SECURITE SUR LA BOUTEILLE DE CO2/AIR COMPRIME



**SAFE**



**WARNING: UNSAFE**



**DANGER**

La bouteille de CO2 ou d'air comprimé peut partir avec assez de force pour causer des blessures graves ou la mort si la valve se détache de la bouteille. Toujours regarder la valve en devisant la bouteille, en s'assurant que la valve tourne avec la bouteille et ne reste pas sans bouger contre l'adaptateur on/off. Arrêter le démontage si la valve commence à se dévisser de la bouteille. Dans le doute, revisser la bouteille (sens des aiguilles d'une montre) et contactez une personne compétente pour la réparation.

## CONSIGNE DE SECURITE SUR LA BOUTEILLE DE CO2/AIR COMPRIME

- Toute valve doit être installée et désinstallée par une personne compétente en pneumatique.
- Reportez vous au label sur la bouteille pour les dates de ré épreuve .Les bouteilles doivent être réproover périodiquement..
- Une utilisation, remplissage, conservation inadaptée a la bouteille peut provoquer la mort, des blessures ou / et des dégradation au matériel.
- Toujours garder les bouteilles hors de porter des enfants ou de personnes non expérimentées.
- Seulement les personnes ayant suivi un stage de remplissage avec la CGA Pamphlets P.1 et G-6.3 sont autorisées à remplir les bouteilles. Les Pamphlets sont disponible au près de l association « COMPRESSED GAS ASSOCIATION » ou sur le site [www.CGANET.com](http://www.CGANET.com).
- Ne jamais modifier la bouteille d'aucune manière que ce soit.
- Ne JAMAIS exposer une bouteille sous pression a une température supérieure a 130F (54C)
- Une bouteille chauffée à une température supérieure a 250F (121C) doit être jetée ou ré éprouvée en conformité avec le test défini dans le CFR-49
- La valve ne devrait jamais être détachée de la bouteille, demander immédiatement une assistance à une personne compétente si cela se produit.
- Toute bouteille incluse avec ce produit doit être utilisée exclusivement pour la pratique du paintball et rien d'autre.
- Vérifiez que le joint torique uréthane est bien présent sur la valve de la bouteille de CO2 ou d'air comprimé avant de monter la bouteille sur le lanceur. Si le joint torique est manquant, la bouteille se mettra à fuire du moment que la bouteille sera attachée au lanceur.
- Il est fortement conseillé d'utiliser exclusivement des joints torique uréthane.
- Ne jamais monter la bouteille de CO2 ou d'air comprimé en surpression.
- Evitez toute exposition directe de la peau au gaz purgé, en montant ou démontant la bouteille du lanceur.
- Ne jamais exposer la bouteille a des substances corrosives ou produits caustiques.

## MONTER UNE BOUTEILLE DE CO2/AIR COMPRIME

Visser fermement la bouteille de CO2 ou d'air comprimé dans le sens des aiguilles d'une montre dans l'adaptateur.

**CONSEIL:** Toujours vérifier que la bouteille de CO2 ou d'air comprimé soit pleine et que le joint uréthane soit présent sur la valve pour éviter des fuites. **IMPORTANT:** Vous ne devriez jamais avoir à utiliser des outils pour monter ou démonter la bouteille de CO2 ou d'air comprimé sur l'adaptateur.

## DEMONTAGE D'UNE BOUTEILLE DE CO<sub>2</sub>/AIR COMPRIMÉ

Dévisser la bouteille de CO<sub>2</sub> ou d'air comprimé de l'adaptateur en tournant dans le sens inverse des aiguilles d'une montre. **CONSEIL:** Après l'utilisation vous devriez toujours démonter la source de gaz de votre lanceur. Quand la bouteille est démontée de l'adaptateur, un excédent de gaz est purgé par le dessous. **PRECAUTION:** Ne jamais exposer la peau en dessous de l'adaptateur où se trouve le trou d'évacuation lors du démontage. Ceci peut provoquer des brûlures de la peau au moment de la purge du gaz. **IMPORTANT:** Vous ne devriez jamais avoir à utiliser des outils pour monter ou démonter la bouteille de CO<sub>2</sub> ou d'air comprimé sur l'adaptateur.

## UTILISATION APPROPRIÉE DU BOUCHON DE CANON

Le bouchon de canon est une partie essentielle à la sécurité de votre équipement. Le bouchon de canon est un outil servant à empêcher les billes de sortir du canon. Mal utilisé le bouchon de canon ne sert à rien.

### BOUCHON DE CANON TYPE "CHAUSSETTE"

Placer la chaussette du bouchon de canon par dessus le bout du canon et tirez l'élastique pour l'accrocher à l'arrière du lanceur.

Ajuster l'élastique de manière à ce que la tension soit suffisante pour arrêter une bille sortant du canon. **NOTE:** si l'élastique est trop long, vous pouvez faire des nœuds pour raccourcir l'élastique.

### BOUCHON DE CANON TYPE "BOUCHON RIGIDE"

Insérer le bouchon de canon au bout du canon en vous assurant qu'il tient bien avant de charger les billes dans le lanceur et de visser la bouteille de gaz au lanceur.

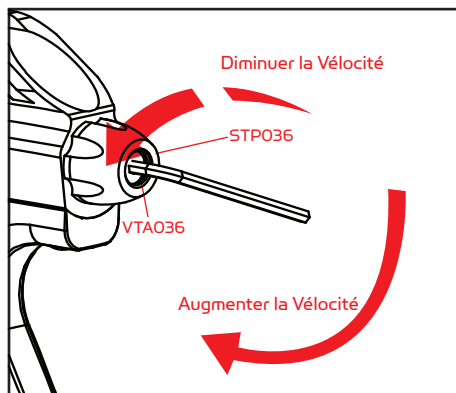
Le bouchon de canon doit rester fermement en place avec une certaine résistance. **NOTE:** le bouchon de canon ne doit pas être facile à enlever et il faut toujours inspecter les joints toriques pour s'assurer qu'ils ne soient pas abîmés ou coupés.

N'enlevez le bouchon de canon que quand vous êtes prêt à jouer ou si un agent de sécurité du terrain vous donne l'autorisation de le faire.

Gardez toujours votre bouchon de canon sur votre lanceur après avoir fini de jouer et gardez le, même après avoir vidé le lanceur des billes de paintball et démonté la bouteille de gaz de votre lanceur.

**ATTENTION:** Pensez à inspecter régulièrement votre bouchon de canon, si vous observez une usure, remplacez-le immédiatement. Toujours avoir votre bouchon de canon sur votre lanceur pour prévenir un éventuel accident qui pourrait causer de blessures graves ou même la mort.

## REGLAGE DE LA VÉLOCITÉ, AUGMENTER / DIMINUER



Pour **AUGMENTER** la vitesse FPS (feet per second = pieds par seconde) utilisez la clef six pans et tournez la pièce VELOCITY ADJUSTER/SPRING GUIDE dans le sens des aiguilles d'une montre.

Pour **DIMINUER** la vitesse, tournez dans le sens inverse des aiguilles d'une montre. **NOTE:** La pièce VELOCITY ADJUSTER/SPRING GUIDE ne se démonte pas par l'arrière du bouchon de la pièce STRIKER PLUG.

## REGLAGE DE LA VELOCITE, AUGMENTER / DIMINUER

### MISE EN GARDE

- La vélocité de ne doit jamais excédée 300 fps, une vélocité plus importante est dangereuse et peu causée de sérieuses blessures.
- Les lanceurs de paintball ne sont pas faits pour être utilisés contre des personnes à moins de 25 pieds.
- Ne jamais pointer le lanceur en direction d'une personne qui ne porte pas une protection faciale adaptée a la pratique du paintball.
- Ne regardez jamais dans le canon à aucun moment que le lanceur soit chargé ou non.
- Utiliser un lanceur de paintball en dehors d'une zone faite pour le paintball peut être illégal, et peut être passible de poursuites si des dégâts ont été causés par son utilisateur.

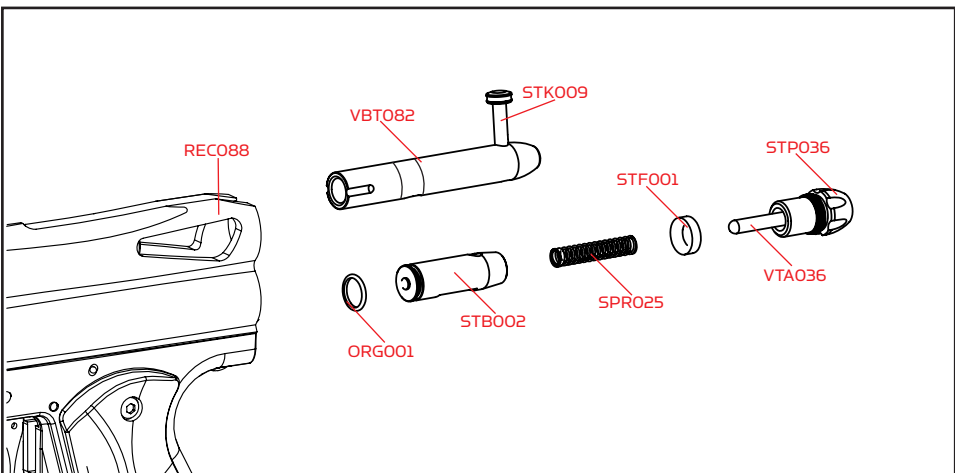
### BILLE COINCEE DANS LA DESCENTE DE BILLE

Dans l'éventualité où une bille serait coincée par la culasse et la bloquerai, suivez cette procédure pour débloquent la bille. La chambre de la bille est située juste avant le canon en dessous de la descente de bille. Avant d'essayer de débloquent la bille vous devez porter votre masque de protection. Assurez-vous d'avoir mis le lanceur en position off ou enclenché la sécurité. Démontez la bouteille de CO2 ou d'air comprimé, enlevez le chargeur de billes, et assurez vous qu'il ne reste plus de billes dans le lanceur. Dévissez le canon du lanceur pour permettre à la bille coincée de sortir. Tirez avec une force suffisante sur la goupille de réarmement vers l'arrière jusqu'à débloquent la culasse. Si vous n'arrivez toujours pas par ce moyen à décoincer la culasse, une autre méthode consiste à prendre une tige de nettoyage droite et rigide ou bien une tige en bois et pousser la culasse vers l'arrière en poussant avec la tige depuis l'avant du lanceur en faisant attention que la surface en contact avec le devant de la culasse soit plat pour ne pas endommager la culasse ou l'alsage du corps. Après avoir débloquent la culasse d'une manière ou d'une autre, nettoyez la chambre de la bille et la culasse si nécessaire pour assurer des performances optimums.

**IMPORTANT:** Ne regardez jamais dans le canon que le lanceur soit chargé ou non. Toujours démonter la source de gaz avant d'entreprendre le décoincage de la culasse.

**NOTE:** Ne jamais utiliser une tige en métal pour pousser la culasse, cela pourrait rayer le corps ou la culasse.

### DEMONTER / REMONTER & NETTOYER LES PIECES INTERNES.



Noms des pièces et référence décrits dans ce chapitre:

Top Cocking Knob (#STK009)  
Delrin Bolt (#VBT082)  
Striker Bolt (#STB002)  
Reciever (#REC088)

Striker O-ring (#ORG001)  
Striker Spring (#SPRO25)  
Striker Buffer (#STF001)  
Striker Plug (#STP036)  
Velocity Adjuster (#VTA036)

## Nettoyage Et Demontage Rapide

Tirer la goupille de réarmement TOP COCKING KNOB vers le haut. Cela désolidarise la culasse DELRIN BOLT du marteau STRIKER BOLT et vous pourrez ainsi tirer la culasse vers l'arrière et la sortir du lanceur. **CONSEIL:** retirer la culasse permet le nettoyage plus pratique à l'aide d'un « squeegee ». **NOTE:** vérifiez toujours que le trou du marteau soit sur le haut et qu'on le voit en entier quand on regarde par le dessus du corps du lanceur pour pouvoir connecter la goupille de réarmement qui lie la culasse au marteau. **IMPORTANT:** vérifiez toujours que le trou situé au milieu de la culasse en delrin soit vers le bas pour autoriser le gaz de passer de la valve à la culasse pour propulser la bille, si le trou est vers le haut, les billes sortiront avec une vélocité très basse.

## Demontez Les Pièces Internes

**ETAPE 1:** tirez la goupille de réarmement vers le haut et tirez la culasse hors du corps.

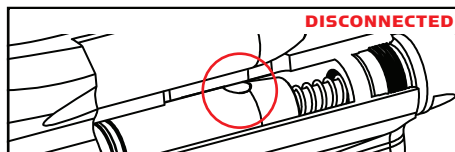
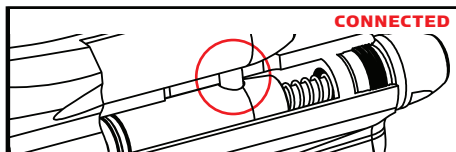
**ETAPE 2:** utilisez un clef à molette pour dévisser le « Striker plug » à l'arrière du corps, permettant de sortir toutes les autres pièces hors du corps. **NOTE:** assurez vous que le lanceur soit en position désarmé pour minimiser la pression du ressort de marteau afin que les pièces ne soient pas éjectées hors du corps, **ASTUCE:** gardez votre pouce sur la pièce « STRIKER PLUG » afin relâcher les pièces doucement

**ETAPE3:** Sortez les pièces dans l'ordre « striker plug », ressort de marteau et bumper.

**ETAPE4:** faites glisser le marteau hors du corps. **CONSEIL:** nettoyez l'intérieur du corps à l'aide d'une tige, nettoyez également le marteau et la culasse en remettant quelque gouttes d'huile sur le joint torique rouge du marteau.

**IMPORTANT:** il n'est pas nécessaire de démonter les pièces internes pour un entretien normal à moins que vous deviez changer le joint torique du marteau (striker O-ring)

## Remontage Des Pièces Internes Arrières



**ETAPE 1:** en premier, réinsérez le marteau en faisant attention de le mettre avec le joint torique rouge vers l'avant et le trou pointé vers le haut pour pouvoir se connecter avec la culasse. **NOTE:** pour réinsérer le marteau, allumez le lanceur, et en même temps que vous appuyez sur le marteau, avec votre pouce, appuyez plusieurs fois sur la détente afin d'insérer le marteau jusqu'au fond. **NOTE:** le trou du marteau doit être situé vers le haut et visible depuis le dessus du corps pour permettre de connecter la culasse.

**ETAPE 2:** remettez le bumper avec le ressort de marteau passant par le milieu du bumper.

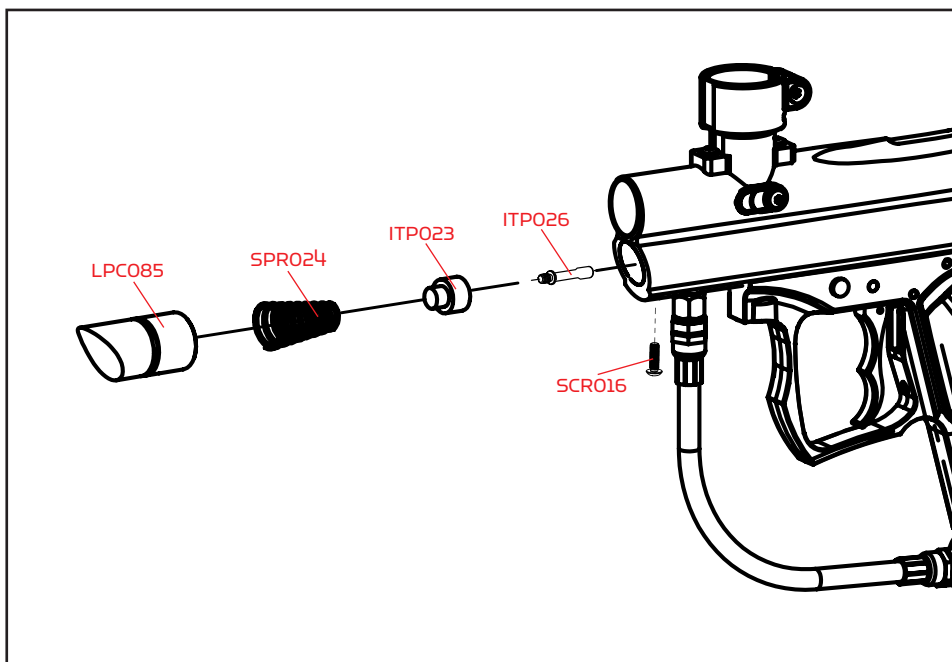
**ETAPE 3:** revissez fermement le striker plug à l'arrière du corps.

**ETAPE 4:** faite glisser la culasse vers l'avant en s'assurant que le trou du marteau soit aligné afin que la goupille de réarmement puisse se connecter, puis pressez la goupille de réarmement vers le bas et assurez vous que la culasse soit bien connectée au marteau.

**MISE EN GARDE:** avant et après l'utilisation, vérifiez que toutes les vis soient bien serrées, une vis desserrée peut causer de sérieuses blessures.

Pour assurer un montage correct, suivez le schéma en regardant la position des composants. Une pièce mal montée causera des problèmes de fonctionnement du lanceur.

## GUIDE DE DEMONTAGE DU Eko™ CUP SEAL



### Noms des pièces et référence décrits dans ce chapitre:

Vertical Screw (#SCR016)

Valve Spring (#SPRO24)

Eko™ Cup Seal (#ITPO23)

Front Plug (#LPC085)

Eko™ Valve Pin (#ITPO26)

## GUIDE DE DEMONTAGE DU Eko™ CUP SEAL

Les étapes suivantes vous permettront d'accéder facilement au « Eko™ Cup Seal ». Une fuite d'air ou de CO<sub>2</sub> au canon est le signe d'un « Eko™ Cup Seal » abîmé.

**ETAPE 1** Devisser la vis qui tient le bouchon de la chambre devant la poignée.

**ETAPE 2** Enlevez le bouchon de la chambre du corps.

**ETAPE 3** Lorsque le bouchon de la chambre a été enlevé, le ressort de valve, la tige de Eko™ Cup Seal, le guide de Eko™ Cup Seal et le Eko™ Cup Seal devrait être attaché.

**ETAPE 4** Détachez le ressort de valve du bouchon de la chambre, et ensuite dévissez le Eko™ Cup Seal de la tige de valve. Remplacez le Eko™ Cup Seal avec un neuf fourni dans le kit de pièces détachées.

Une fois que toutes les étapes ont été exécutées, remplacer le « Eko™ Cup Seal » endommagé et remontez les pièces au lanceur. **ASTUCE:** Notez comment les pièces se démontent pour faciliter le remontage.

**ATTENTION:** Utiliser la clef Allen à la bonne taille de la vis et ne jamais serrer les vis plus fort qu'il n'est nécessaire.

**IMPORTANT:** Toujours démonter la bouteille de sur le lanceur avant de démonter le lanceur. Ne pas démonter la valve à moins qu'une réparation de la valve soit nécessaire. N'utilisez pas de tourne vis pour démonter la valve, cela pourrait faire des marques sur la valve qui provoqueraient des fuites. **NOTE:** La vis de valve doit être démontée avant de sortir la valve du corps du lanceur.

## FUITE D'AIR

**IMPORTANT:** Toujours démonter la bouteille de sur le lanceur avant de démonter le lanceur.

- Fuite d'air venant de l' Reservoir Chamber signifie qu'il faut changer ou huiler le joint torique (#ORG002)
- Une fuite au canon est généralement le signe d'un Eko™ Cup Seal abîmé (#ITPO23). Si le Eko™ Cup Seal doit être changé, reportez vous au chapitre GUIDE DE DEMONTAGE DU "Eko™ Cup Seal"
- Ne pas démonter la valve (#ITPO25) a moins qu'une réparation de la valve soit nécessaire.
- N'utilisez pas de tourne vis pour démonter la valve, cela pourrait faire des marques sur la valve qui provoqueraient des fuites.
- Une fuite d'air entre le corps et la poignée du lanceur indique que le(s) joint(s) de la valve (#ORG002) doit être remplacé.
- Une fuite d'air aux extrémités du flexible. **Coté femelle:** La rondelle en plastique doit être présente (#HSFO04). **Coté Male:** il doit y avoir un joint torique chargé de faire l'étanchéité.

**IMPORTANT:** Le flexible fourni est à filetage Métrique. Par conséquent, il ne peut pas se monter sur un filetage américain type NPT. Mal installé cela pourrait endommager les filetages du flexible.

Pour vous assurer que le marqueur est assemblé correctement, suivez les schémas et positionnez les pièces dans l'ordre lors du démontage. Des pièces assemblées à l'envers ou installer les mauvaises pièces vont / peuvent causer une mal fonction du marqueur.

## QUESTION REPONSE

### Une ou plusieurs de ces causes peuvent causer des problèmes de réarmement:

- Le joint torique (#ORG001) doit être lubrifié.
- La pression dans la bouteille est trop basse, et doit être remplie.
- Le Joint torique (#ORG001) est endommagé ou est manquant. Remplacez le par un nouveau joint torique approuvé par Kingman. **NOTE:** Le joint torique (#ORG001) ne peut pas être substitué par un joint de bouteille (#ORG002).
- Après de la casse de bille dans le canon ou dans la chambre, démontez toutes les pièces de la chambre supérieure, nettoyez les pièces. Et remontez les pièces dans le corps. Assurez vous aussi de nettoyer le canon avec un squeegee.

**ASTUCE:** La coquille des billes ont une durée de vie limitée, et peuvent devenir trop fragile. La géométrie de la bille ainsi que sa taille peut être altérée avec le temps, il est donc conseiller de s assurer que la bille puisse rentrer dans le canon.

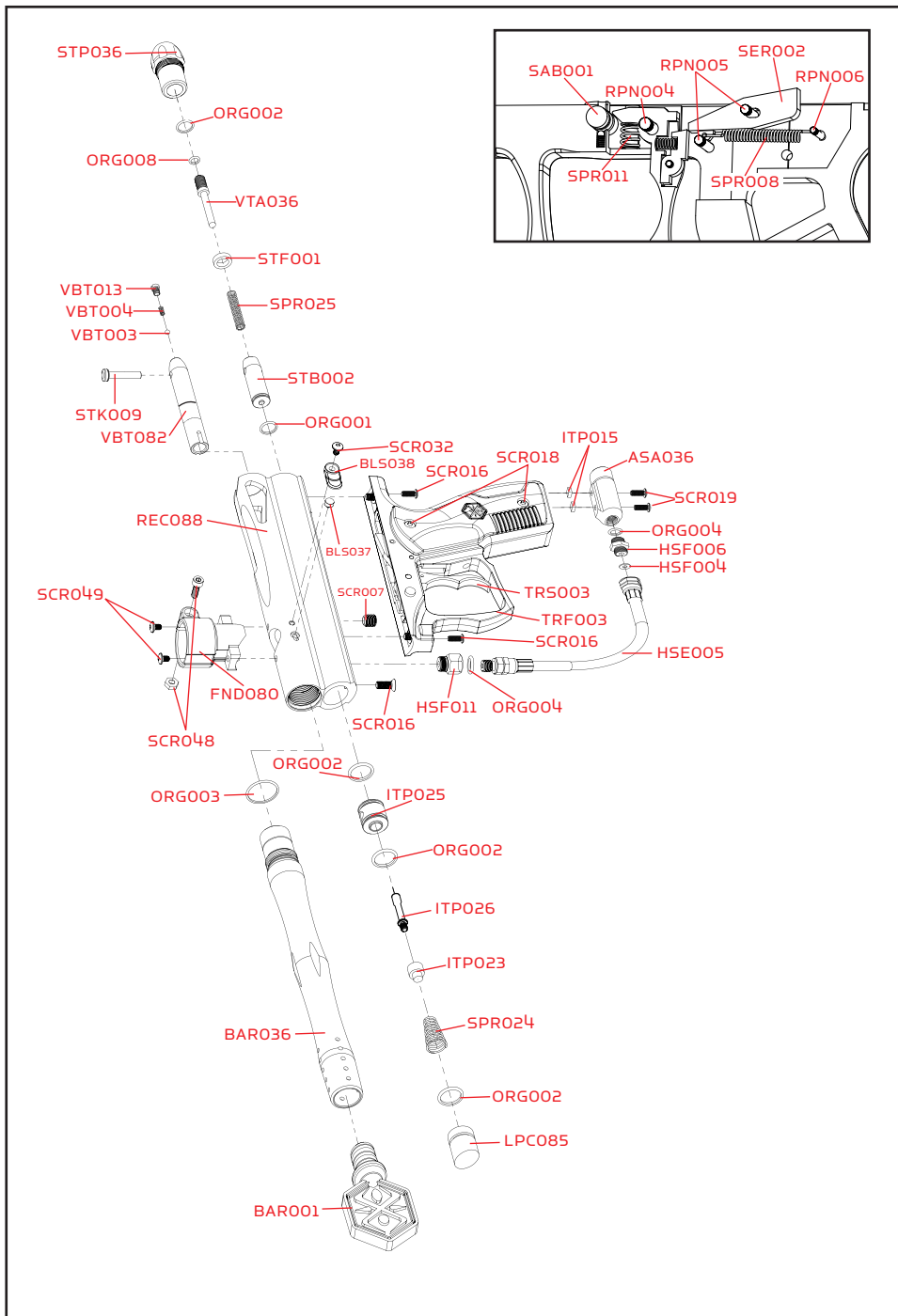
## LISTE DES PIÈCES DU SPYDER AGGRESSOR™

ASA036	C/A Adapter Angled (diamond black)	SAB001	Safety Button (C)
BAR001	Spyder Barrel Plug	SCR007	Valve Body Screw (A)
BAR036	1PCS Barrel 10" (diamond black)	SCR016	M5 x 12 Screw (A)
BLS037	Rubber Ball Detent	SCR018	M3 x 8 Screw (+)
BLS038	Detent Cover (plastic curve)	SCR019	M5 x 28 Screw C/A Adapter Screw (A)
FND080	Feed Neck 2012 (plastic)	SCR032	M4 x 6 Ball Detent Screw (A)
GRP009	Rubber Grip Cover 12 (black)	SCR048	Feed Neck Clamp Screw & Nut
HSE005	Disconnect Hose 7.75"	SCR049	M4 x 8 Screw (+) Feed Neck Screw
HSF004	Plastic Washer	SER002	Sear (semi)
HSF006	Male to Male Adapter (met x met)	SPR008	Sear Spring (semi)
HSF011	Metric Female to Standard Male Adp	SPR011	Trigger Spring (semi)
ITP015	C/A Adapter Screw Nut	SPR024	Valve Spring
ITP023	Eko™ Cup Seal	SPR025	Striker Spring 110.mm
ITP025	Eko™ Valve Body	STB002	Striker Bolt
ITP026	Eko™ Valve Pin	STF001	Striker Buffer
LPC085	Front Plug 12 (diamond black) (semi)	STK009	Top Cocking Knob (semi)
ORG001	Striker O-ring #14.3 1.7 70pu	STP036	Striker Plug Threaded (diamond black)
ORG002	O-ring #15 80	TRF003	Composite Trigger Frame
ORG003	Barrel O-ring #22 1.5 80	TRS003	Double Trigger (semi)
ORG004	O-ring #11 80	VBT003	Delrin Bolt Locking Bearing
ORG008	O-ring #10 80	VBT004	Delrin Bolt Locking Spring
*PAK085	Aggressor 12 Spare Parts Kit	VBT013	Delrin Bolt Locking Screw
REC088	Aggressor 12 Receiver (diamond black)	VBT082	Delrin Bolt w/O-ring & Locking Knob
RPN004	Trigger Roll Pin (large)	VTA036	Velocity Adjuster & Spring Guide
RPN005	Sear Roll Pin (med)		
RPN006	Secondary Roll Pin (small)		

\* Item Not Pictured (+) Cross-head Screw (A) Allen-head Screw



# SCHÈMAS DU SPYDER AGGRESSOR™



## **POLICE DE GARANTIE**

Kingman garanti au client original ce produit pour une période de 1 ans à partir de la date d'achat, garantie pièce et main d'œuvre en cas de défaillance sous réserve que le produit est été utilisé dans des conditions normales. Toute pièce électronique dans les lanceurs Spyder électronique est garantie 6 mois à partir de la date d'achat. Kingman accepte de réparer ou remplacer à sa discrétion tout produit dans une période de temps raisonnable. Cette garantie ne couvre pas les joints toriques, Eko™ Cup Seals, pile 9.6V rechargeable, chargeur de pile, rayures, les usures normales, toute modification, délavage normal de l'anodisation, et coups ou dommages à la suite de chocs. Le produit de sera pas garanti si un des techniciens de Kingman prouve que le client est responsable de la panne ou de l'usure. Cette garantie ne couvre que les pièces d'origine. -Toute modification du produit ou de ses pièces d'origines entraînera l'annulation de la garantie ainsi que la responsabilité de Kingman. Tout dommage causé par de l'eau ne sera pas couvert. Les réparations sous garanties doivent être effectuées par un technicien de Kingman ou un technicien approuvé par Kingman. Pour que la garantie soit valide, le client doit retourner le coupon de garantie ci joint dûment complété, avec une copie du reçu du vendeur sous 15 jours après l'achat. Cette garantie n'est pas transférable. Les lanceurs de paintball ne sont pas remboursables. Cette garantie ne couvre pas les frais d'envoi, d'enlèvement ou encore les téléphones. Si le lanceur a besoin d'être réparé, le client emballera le lanceur et l'enverra avec le nom, l'adresse, le numéro de téléphone et une brève description du problème à l'adresse suivante:

### **KINGMAN GROUP**

Attn: Tech Department  
14010 Live Oak Avenue  
Baldwin Park, CA 91706 U.S.A.  
[www.kingman.com](http://www.kingman.com)

» L'enregistrement de la garantie est aussi disponible sur le site Internet [www.spyder.tv](http://www.spyder.tv)

### **SUPPORT TECHNIQUE**

Notre support technique est ouvert de Lundi à Vendredi de 8 heure à 17 heures (heure cote ouest des USA) et peut être joint au (626) 430-2300.  
[www.spyder.tv](http://www.spyder.tv)

**PASSION FOR PAINTBALL™**



PASSION FOR PAINTBALL.™

[www.spyder.tv](http://www.spyder.tv)