

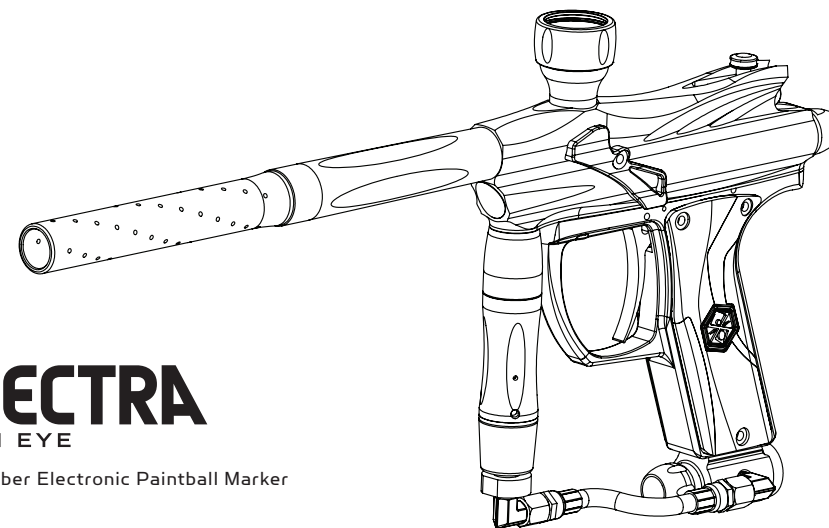


# ELECTRA

WITH EYE

USER MANUAL

English  
Français  
Español



# ELECTRA

WITH EYE

.68 Caliber Electronic Paintball Marker

## TABLE OF CONTENTS

IMPORTANT SAFETY GUIDELINES	1
OPERATION GUIDE / START UP	2
CO <sub>2</sub> / COMPRESSED AIR TANK WARNINGS	3
INSTALLING A CO <sub>2</sub> / COMPRESSED AIR TANK	4
PROPER USE OF BARREL BLOCKING DEVICE	4
BATTERY INSTALLATION / OPTIONAL ACCESSORY CHARGING INSTRUCTIONS	5-6
LEAP™ CIRCUIT BOARD w/CAMD SETTINGS	7
TRIGGER ADJUSTMENT	8
VELOCITY ADJUSTMENT	8
C/A ON/OFF ADAPTER	9
REGULATOR ADJUSTMENT	9-10
DISASSEMBLE / REASSEMBLE AND CLEANING OF REAR INTERNALS	11-12
A JAMMED PAINTBALL	12
ANTI CHOP EYES / CHANGING BALL STOPPERS	13
CUP SEAL REMOVAL	14
TROUBLESHOOTING / AIR LEAKS	15
REGULATOR SCHEMATIC	16
ELECTRA w/Eye PARTS LIST	17
ELECTRA w/Eye SCHEMATIC	18
WARRANTY STATEMENT	19

## IMPORTANT SAFETY GUIDELINES



### WARNING

- This paintball marker is NOT a toy. It can cause serious injury or death.
- Kingman recommends that the customer be at least 18 years of age to purchase this product.
- Read this manual and air tank warnings before using this product.
- Any modifications or tampering of original factory parts will void all warranties and liabilities from Kingman.
- Kingman recommends using a barrel blocking device when the marker is not in operation.
- To ensure proper adjustment of velocity Feet Per Second (fps), Kingman strongly recommends using a chronograph for paintball use located at most paintball stores and paintball fields.
- Before / after use of the marker, make sure to fasten all screws. Screws may become loose due to vibration. Loose screws can be dangerous and cause injury.
- Kingman STRONGLY recommends that any person using this product or within range of this product while it is in use MUST wear EYE/FACE PROTECTION designed specifically for the sport of paintball. This includes, but is not limited to, performing a maintenance check and during target practice.
- Kingman reminds the user that it is YOUR RESPONSIBILITY to protect your eyes/face at all times, and will not be held liable for injuries sustained when failing to wear the appropriate protection.
- Never shoot or point your marker at a person that is not in a designated paintball facility and without proper paintball protection.
- Treat every paintball marker as if it were loaded.
- Never look down the barrel of a loaded or unloaded marker.
- Always keep the paintball marker in SAFE or OFF mode until ready to operate.
- Always remove the gas and all paintballs before disassembly.
- Fire only 0.68 caliber paintballs with this product.
- Always make certain the bolt is in the un-cocked position when marker is not in use.
- Using a paintball marker outside of a non designated paintball field can be illegal, and is subject to law enforcement penalties if property damage is caused by the user.
- Never point or shoot your marker at an animal.
- Transfer this instruction manual upon change of marker ownership.

## OPERATION GUIDE / START UP



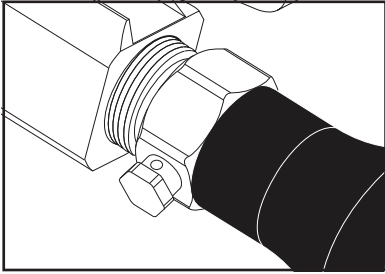
**WARNING:** Always keep the marker powered OFF or on SAFE until you are ready to fire.

1. Always attach a barrel blocking device over the tip of the barrel for safety precautions when the marker is not in use.
2. Install and charge the battery see pages (See Battery Installation)
3. Attach a CO2 / Compressed Air Tank to the C/A On/Off Adapter. **HELPFUL TIP:** Make sure to have the CO2 / Compressed Air Tank filled before attaching to the marker. Hand tighten the tank clockwise in the markers C/A On/Off adapter until it is snug. If an air leak occurs between the tank and the C/A On/Off adapter, replace the urethane O-ring. **NOTE:** O-rings in the markers parts kit are not supplied to attach with a CO2 / Compressed Air Tank. **IMPORTANT:** You should never need to use any hand tool to attach a CO2 / Compressed Air Tank to the C/A On/Off adapter.
4. Attach an electronic paintball loader and elbow to the markers Feed Neck. Only use .68 caliber paintballs through the electronic loader. **NOTE:** Kingman recommends that you use a force feed / high speed electronic loader to reach optimum performance.
5. Turn Power On for the electronic trigger frame (See LEAP™ Circuit Board w/CAMD Settings).
6. Cocking the marker. Pull the Top Cocking Knob rearward until the Delrin Bolt latches. **CAUTION:** Should you let go of the Top Cocking Knob before it latches, your marker may fire.
7. Remove the barrel blocking device. **CAUTION:** With the power switch turned ON the marker is LIVE. Pulling the trigger will fire a paintball. **IMPORTANT:** Only test your marker in a safe direction or in a designated playing field.
8. Performing a velocity (fps) check. Turning the velocity adjuster & spring guide clockwise will increase the velocity (fps) while turning counter-clockwise will decrease the velocity (fps). **NOTE:** Your marker is intended to be used in a paintball facility with the proper paintball protection. **IMPORTANT:** Kingman recommends using a chronograph to ensure that the maker's velocity is under 300 (fps).
9. When finished playing, remove all paintballs from the paintball loader before detaching from the markers feed neck. **CAUTION:** There may be paintballs in the marker's breach; take a couple of shots in a safe direction to make sure the barrel and receiver are empty.
10. Place the barrel blocking device over the barrel tip. This will help avoid any accidental discharge.
11. Kingman recommends having the marker in the "SAFE or OFF" position after use.
12. Unscrew the CO2 / Compressed Air Tank from the marker's C/A adapter. Firmly hand loosen the tank counter-clockwise will detach it from the marker's C/A adapter. **CAUTION:** Never expose any skin underneath the C/A adapters bleed hole when removing the tank. This can run the risk of getting skin burn from the releasing of the GAS. **IMPORTANT:** You should never need to use any hand tool to detach a CO2 / Compressed Air Tank.
13. Store the marker in a paintball bag or in a safe place. **WARNING:** Before / after use of the marker, make sure to fasten all screws. Screws can become loose due to vibration. Loose screws can be dangerous and cause injury. **HELPFUL TIP:** It's a good practice to lubricate your marker before and after each use, especially when storing the marker for an extended period of time. Add a few drops of paintball gun oil on the Striker O-ring (see Disassemble / Reassemble). Before storing the marker, make sure the marker is in the un-cocked position. This will help the main spring maintain its tension.

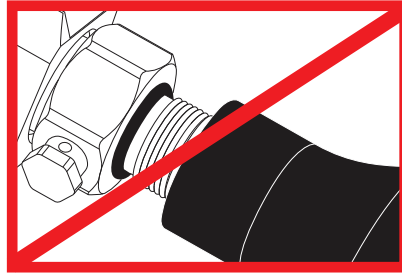
### IMPORTANT

- Firing velocity may vary according to altitude and climate conditions.
- Before using your marker in play, you must always first perform a "SAFE VELOCITY TEST". This can only be accomplished by using a testing device called a "Velocity Chronograph" and can be performed at a paintball dealership or local playing field. **NOTE:** This product is intended to be used at a velocity no greater than 300 feet per second (fps). Paintball markers are not intended to shoot any person less than 25 feet away without EYE/FACE PROTECTION.
- This paintball marker may have excess gas after the removal of the CO2 / Compressed Air Tank. Please remove all paintballs and discharge the remaining gas safely.
- Never store a CO2 / Compressed Air Tank attached on the marker while not supervised.

## CO2 / COMPRESSED AIR TANK WARNINGS



**SAFE**



**WARNING: UNSAFE**



**DANGER**

The CO2 or Compressed Air Tank can fly off with enough force to cause serious injury or death if the Valve unscrews from the cylinder head. LOOK at the Valve when removing the cylinder from the marker. Be sure that the valve is turning with the cylinder rather than remaining stationary with the marker. STOP if the Valve starts to unscrew from the cylinder. If in doubt, screw the cylinder back onto the marker and contact a trained person for repair.

## CO2 / COMPRESSED AIR TANK WARNINGS

- All valves must only be installed or removed by a qualified airsmith.
- See CO2 / Compressed Air tank labels for retest dates. Cylinder tanks must be retested periodically.
- Improper use, filling, storage or disposal of all air cylinders may result in death, personal injury and/or property damage.
- Always keep cylinders out of reach from children or any inexperienced person(s).
- Only properly trained personnel in accordance with CGA Pamphlets P.1 and G-6.3 must fill all air cylinders. Pamphlets are available from the Compressed Gas Association or [www.CGANET.com](http://www.CGANET.com).
- Never alter the cylinder in any way.
- DO NOT expose pressurized cylinders to temperatures in excess of 130 °F (54 °C).
- Cylinders heated to an excess of 250 °F (121 °C) must be condemned or requalified in accordance with test defined in CFR-49.
- The valve should NEVER be detached from the canister. Please seek immediate assistance from a trained airsmith should this occur.
- Any tank packed with the product is intended for paintball use only.
- Confirm that there is an attached urethane O-ring on the CO2 / Compressed Air tank valve before attaching the tank to the marker. The tank will leak air as soon as it is secured to the marker, if the O-ring is missing from the valve.
- A urethane O-ring is highly recommended before attaching any air supply to the marker.
- NEVER over pressurize a CO2 / Compressed Air cylinder.
- Avoid any direct skin exposure to the escaping gas, when installing or removing any air supply.
- Never expose cylinders to corrosive materials or clean with any caustic cleaners.

## INSTALLING A CO2 / COMPRESSED AIR TANK

Firmly hand tighten the CO2 / Compressed Air Tank clockwise into the markers C/A On/Off adapter.

**HELPFUL TIP:** Before installing a CO2 / Compressed Air Tank, make sure that the tank is full and that it has a urethane bottle o-ring on the top of the valve to prevent air leaks.

**IMPORTANT:** You should never need to use any hand tool to attach a CO2 / Compressed Air Tank to the C/A On/Off adapter.

## REMOVING A CO2 / COMPRESSED AIR TANK

With a firm grip holding the CO2 / Compressed Air Tank remove the cylinder by hand turn counter-clockwise until it comes out of the C/A On/Off adapter. **HELPFUL TIP:** After firing the marker, you should ALWAYS remove the CO2 / Compressed Air Tank before storing. When the tank is being removed, excess air will release from the C/A On/Off adapter. **CAUTION:** Never expose any skin to the C/A On/Off adapters bleed hole when removing the tank. This is to avoid the risk of getting skin burn from the escaping GAS.

**IMPORTANT:** You should never need to use any hand tool to detach a CO2 / Compressed Air Tank from the C/A On/Off adapter. If you cannot remove a tank by hand please see a certified airsmith for assistance.

## PROPER USE OF YOUR BARREL BLOCKING DEVICE

A Barrel Blocking Device or "BBD" is an essential part of your paintball safety equipment. The Barrel Blocking Device is designed to stop a paintball from exiting a paintball marker accidentally. Improper use of the Barrel Blocking Device will render this device useless.

### BARREL SOCK/BAG TYPE DEVICE

Place the bag/sock part of the Barrel Blocking Device over the end of your barrel and wrap the elastic cord around the back end of your marker.

Adjust the length of the elastic cord to make sure your Barrel Blocking Device fits securely over your markers barrel.

**NOTE:** If the elastic cord is too long you can tie a couple of knots around the cord to shorten its length.

### BARREL PLUG TYPE DEVICE

Insert the barrel plug securely into the end of your markers barrel before proceeding to load paintballs and screwing in your tank to your marker.

The barrel plug should fit firmly into the barrel with a significant amount of resistance. **NOTE:** The barrel plug should not be easy to remove and always inspect the O-rings to make sure they are not worn or cut.

Remove the Barrel Blocking Device only when you are getting ready to begin play or have been instructed to do so by a field safety official.

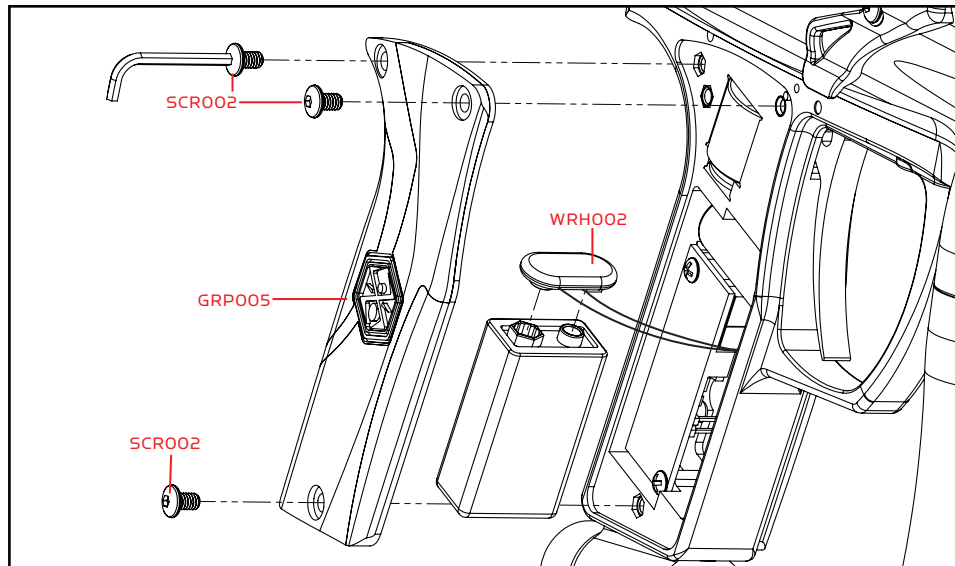
Always keep your Barrel Blocking Device on your marker after you have finished playing. Keep it in place even after you have emptied all paintballs and removed your air tank from your paintball marker.

### WARNING

Inspect your Barrel Blocking Device regularly for wear and any tear if it is worn, replace it immediately.

Always have your Barrel Blocking Device in place on your markers barrel to insure safety and prevent accidents that may cause permanent injury or even death.

## BATTERY INSTALLATION



Part Names and Numbers described in this section:

Dual Texture Grip Panel (#GRPO05)

M4 x 8 Screw (A) (#SCRO02)

Battery Harness (#WRHO02)

## BATTERY INSTALLATION

**NOTE:** This marker is compatible with the use of 9volt Alkaline batteries. Use only premium brand Alkaline batteries for best performance. (Battery Not Included)

Shot counts will vary depending on the type of 9volt Alkaline battery used (2300 to 3200), choosing a premium brand battery will give the best results.

Kingman Group recommends using a Spyder 9.6volt NiMH Rechargeable Battery as a power source for optimum performance and will provide a superior shot count of around 5000 to 6000 rounds. (Spyder Battery and Charger Sold Separately)

**IMPORTANT:** Performance will vary depending on the mode used and rate of fire achieved.

**STEP 1** Remove the three M4x8 Screws from the Right side grip panel. **NOTE:** Allen wrench provided in the spare parts kit.

**STEP 2** Attach the battery to the battery harness.

**STEP 3** Re-tighten the three M4x8 Screws.

**HELPFUL TIP:** Please note how the parts are removed for easy reassembly.

## CHARGING INSTRUCTIONS

### Spyder 9.6volt Battery (US LED) optional accessory

To charge a Spyder 9.6 NiMH battery, the circuit board must be in the OFF position. Spyder batteries (JE1015) are not fully charged when purchased. Using the supplied Spyder LED A/C Charger (JE1029), plug the charger into the charger port located at the rear of the trigger frame. For a complete charge, Kingman recommends a charging time of **6-8 hours**.

**STEP 1** Plug the Spyder LED A/C charger into a power outlet.

**STEP 2** Connect the Spyder A/C charger cord to the rear of the markers trigger frame's charging port..

**STEP 3** The LED indicator on the Spyder LED A/C charger will display RED when the battery is charging.

**STEP 4** The LED indicator on the Spyder LED A/C charger will display GREEN when the battery is fully charged.

**STEP 5** Unplug the Spyder LED A/C charger cord from the rear of the markers trigger frame's charging port after charging.

**STEP 6** Remove the Spyder LED A/C charger from the power outlet.

**IMPORTANT:** Never charge the battery for over 24 hours, as you will risk damaging the battery and/or electronics.

**HELPFUL TIP:** It is recommended that the battery be charged prior to use in order to ensure maximum performance, especially if the battery has not been used in over a week. **NOTE:** A fully charged Spyder battery will last about 5000-6000 shots, depending on your firing methods or firing mode in use. Under normal use and charging conditions the expected life of the Spyder battery is approximately 700-1000 charging cycles.

To avoid any risks of having the Battery explode or the Circuit Board burned: charge only Spyder 9.6volt NiMH Batteries in Spyder electronic frames.

### IMPORTANT

- **DO NOT** attempt to recharge any Alkaline or any other type of battery in the Spyder electronic frame.
- **DO NOT** try to recharge batteries that are rusted, corroded, damaged or leaking.
- **FAILURE** to follow any of the instructions will **VOID ALL WARRANTIES AND LIABILITIES** from Kingman.

Kingman will not be held liable for any injury or damages from the improper use of this product. This accessory is not intended for use with any other product other than what Kingman designed it for.

### Spyder 9.6volt Battery (EU) optional accessory

To charge a Spyder 9.6 NiMH battery, the circuit board must be in the OFF position. Spyder batteries (JE1015) are not fully charged when purchased. Using the supplied A/C Charger (JE1025), plug the charger into the charger port located at the rear of the trigger frame. For a complete charge, Kingman recommends a charging time of **6-8 hours**.

**IMPORTANT:** Never charge the battery for over 24 hours, as you will risk damaging the battery and/or electronics.

**HELPFUL TIP:** It is recommended that the battery be charged prior to use in order to ensure maximum performance, especially if the battery has not been used in over a week.

**NOTE:** A fully charged Spyder battery will last about 5000-6000 shots, depending on your firing methods or firing mode in use. Under normal use and charging conditions the expected life of the Spyder battery is approximately 700-1000 charging cycles.

To avoid any risks of having the Battery explode or the Circuit Board burned: charge only Spyder 9.6volt NiMH Batteries in Spyder electronic frames.

### IMPORTANT

- **DO NOT** attempt to recharge any Alkaline or any other type of battery in the Spyder electronic frame.
- **DO NOT** try to recharge batteries that are rusted, corroded, damaged or leaking.
- **FAILURE** to follow any of the instructions will **VOID ALL WARRANTIES AND LIABILITIES** from Kingman.

Kingman will not be held liable for any injury or damages from the improper use of this product. This accessory is not intended for use with any other product other than what Kingman designed it for.


## LEAP™ CIRCUIT BOARD w/CAMD SETTINGS


**SAFE** – Red LED

**SEMI** – Green LED

**RAMP P** – Blue LED (PSP RAMP) 13 Balls Per Second

**RAMP M** – Blue LED (Millennium RAMP) 12 Balls Per Second

**EYE**  – Orange LED (LED ON = Eyes ON, LED OFF = Eyes OFF)

**BATTERY**  – Yellow LED (Solid LED = Good, Flashing LED = Low)

### 2 Button Access Operations

Press and release the Upper "Power/Eye" Button to turn the marker on. The CAMD will display the Red "Safe" indicator "ON" meaning that the marker is in safety mode and will not allow the marker to shoot. After turning the Power "ON" you will need to choose a firing mode.

Press and hold the Lower "Mode" Button until the Green "Semi" indicator begins to flash you are now in the mode selection menu. To select a firing mode press and release the Lower "Mode" Button until the CAMD mode indicator displays the desired firing mode. Press and hold the Lower "Mode" Button until the mode indicator stops flashing, the firing mode is now selected and the Red "Safe" indicator will remain "On", to turn the safety mode "Off" press and release the Lower "Mode" Button and the Red "Safe" indicator will turn off, the marker is now capable of firing.

To turn the Power "OFF" press and hold the "Power/Eye" Button until all CAMD LED indicator powers down completely.

### Changing Modes

To change the firing mode, Press and hold the Lower Button until the firing mode indicator on the CAMD start flashing. While the indicator is flashing press and release the Lower Button to scroll through the desired mode setting. When the desired firing mode has been selected, press and hold the Lower Button until the indicator stops flashing. The marker will now operate in the firing mode that has been selected and the Red "Safe" indicator is will remain "On", to turn the safety mode "Off" press and release the Lower "Mode" Button and the Red "Safe" indicator will turn off, the marker is now capable of firing.

**IMPORTANT:** The safety may be enabled in any mode by pressing and releasing the Lower "Mode" Button, the Red "Safe" LED indicator will turn on and keep the marker from accidentally shooting while the Power is "ON".

### Firing Mode Lock

To lock the operations of the marker in Semi-Auto Mode remove the lock switch from the circuit board while the Power is "Off" this will default the marker operation and shoot in Semi-Auto Mode Only.

To lock the operation in Ramp P (PSP) Mode turn the marker Power "ON", select Ramp P on the CAMD indicator, remove the tournament lock switch from the circuit board to lock in Ramp P Mode. **NOTE:** Following the same steps on selecting the Ramp P Mode will allow you to lock the marker operation in Ramp M (Millennium) mode. **NOTE:** Use the lock switch when the playing field requires it.

### Anti Chop Eye Operation

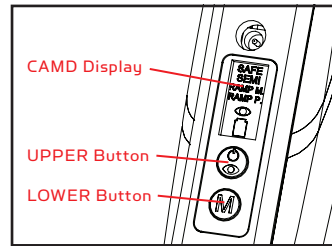
To turn off the Anti Chop Eye feature press and release the Upper "Power/Eye" Button, the "Orange" Eye indicator will turn off indicating that the eyes are off. **NOTE:** This feature is useful if you need to cycle the marker without paintballs for a clearing shot.

To turn the eyes back on press and release the Top "Power/Eye" Button again and the Eye indicator will light back up indicating that the eyes are on. **NOTE:** Semi-Auto mode maybe the only allowable firing mode permitted in your country. Check with your local officials regarding this application. For example select European countries, Australia and New Zealand are restricted to use Semi-Auto model only.

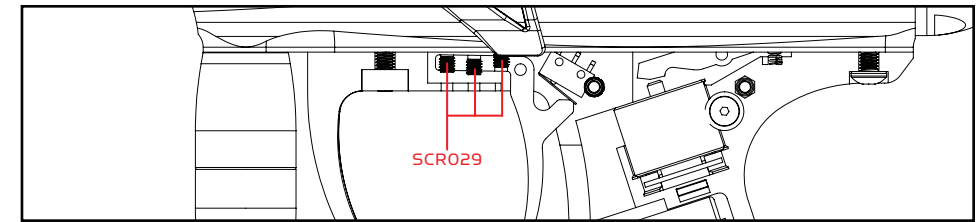
**NOTE:** European Edition "Semi-Auto Mode Only"

### WARNING

- Spyder Electronic Markers are not water resistant.
- Extreme moisture can cause serious damage to any Spyder Electronic Marker.
- Always clean any dirt or paint inside the markers electronics.
- Never attempt to modify the electronics circuitry, doing so will VOID all electronic warranties and liabilities from Kingman.



## TRIGGER ADJUSTMENT



### Magnetic Response "Saber" Trigger

There are 3 adjuster set screws that allows the adjustment for the trigger pull, the micro switch actuation, a post travel stop and the magnetic response strength.

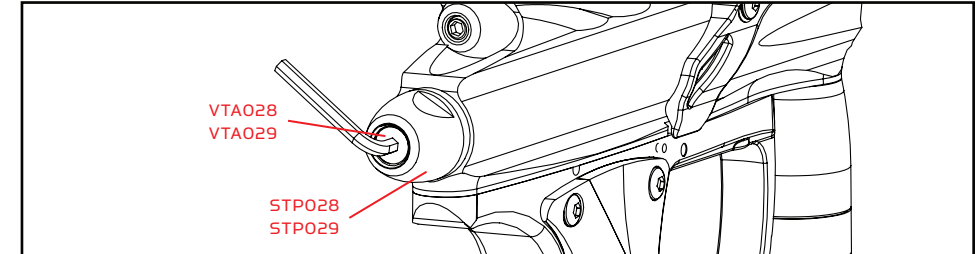
The first set screw furthest from the micro switch is for adjusting the amount of resistance force the magnet applies on the trigger. Adjusting the set screw in will increase resistance and out will reduce it for a lighter trigger pull.

The middle set screw is for adjusting the distance between the trigger and the micro switch. Adjusting the set screw in will bring the trigger actuation closer giving the trigger a short trigger pull.

**HELPFUL TIP:** Remember not to over adjust this set screw as you may have the trigger rest against the micro switch and not allow the micro switch to reset for the next trigger pull.

The third set screw closest to the micro switch is for the post travel of the trigger. It is to stop the trigger from further back travel after it has actuated the micro switch

## VELOCITY ADJUSTMENT INCREASE / DECREASE



To **INCREASE** your velocity fps using the Allen wrench, turn the Velocity Adjuster / Spring Guide clockwise.

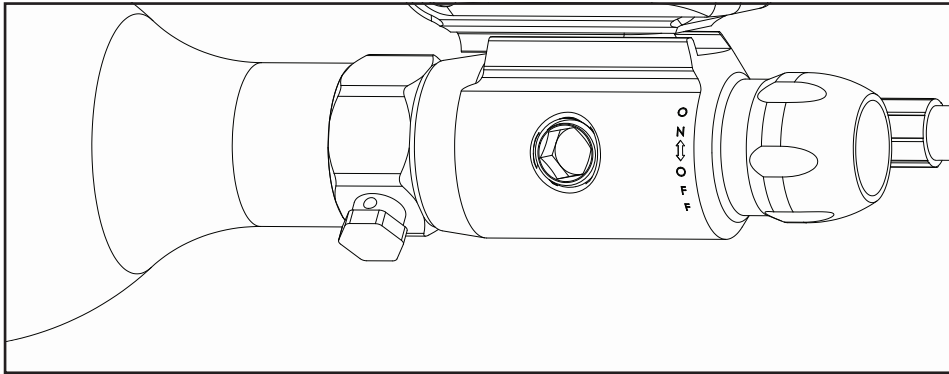
To **DECREASE** your velocity fps using the Allen wrench, turn the Velocity Adjuster / Spring Guide counter-clockwise. **NOTE:** Allen wrench provided in the spare parts kit. **NOTE:** Velocity Adjuster / Spring Guide doesn't remove from the rear of the Sticker Plug.

**NOTE:** The velocity of this paintball marker ranges from approximately 240 – 300 feet per second (fps). Velocities will fluctuate or vary due to paintball size, climate condition, altitude, type of air source and variance in spring tension from manufacturing.

### WARNING

- The recommended Velocity speed should be no greater then 300 fps. Not doing so can cause serious injury or death if the velocity is set dangerously high.
- Paintball markers are not intended to shoot any person less then 25 feet without eye/face protection.
- Never point a loaded marker at any person who is not wearing the proper face protection.
- Never at any point should you look down the barrel, whether the marker is loaded or not.
- Using a paintball marker outside a non designated paintball field can be illegal, and is subject to law enforcement penalties if property damage is caused by the user.

## C/A ON/OFF ADAPTER



**HELPFUL TIP:** Make sure to have the CO<sub>2</sub> / Compressed Air Tank filled before use.

- Firmly, hand tighten the CO<sub>2</sub> / Compressed Air Tank clockwise into the markers C/A On/Off adapter.
- Tighten the tank clockwise in the markers C/A On/Off adapter until it is snug. If an air leak occurs between the tank and the C/A On/Off adapter, replace the urethane o-ring.
- To pressurize the marker turn the adapter knob towards the ON position to pierce the pin valve on the tank.
- To release the pressure turn the dial knob towards the OFF position. This will release the pressure in the hose line and stop the air flow in the marker.

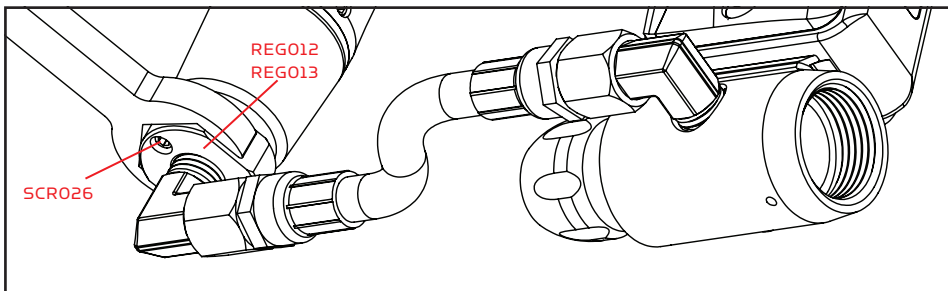
**IMPORTANT:** Markers that are equipped with regulators may store residual air after the CO<sub>2</sub>/ Compressed Air Tank has been removed. To fully remove any residual air stored in the marker, turn the C/A On/Off adapter knob counter-clockwise to shut off the air supplied from the tank. Take several dry fire shots with the marker pointed in a safe direction until the marker has no remaining air.

**IMPORTANT:** You should never need to use any hand tool to attach a Compressed Air Tank to the C/A On/Off adapter.

**NOTE:** O-rings in the markers parts kit are not supplied to attach with a CO<sub>2</sub>/ Compressed Air Tank.

**NOTE:** The hose line adapter supplied on the C/A On/Off is American thread 1/8" (NPT).  
C/A ON/OFF Adapter

## REGULATOR ADJUSTMENT



**WARNING:** Never at any time should you attempt to unscrew the Vertical Regulator while the marker is pressurized. Doing so can cause serious injury or death.

The Electra w/Eye is equipped with the Fast Charge Inline Regulator that improves the markers velocity consistency and air efficiency. Once the CO<sub>2</sub>/ Compressed Air tank has been installed and tank valve is opened by turning the C/A On/Off adapter knob clockwise, the marker is potentially capable and ready to fire.

Adjustment to the regulator output pressure is done through the regulator adjuster knob located at the bottom of the regulator with the use of the wrench provided with the spare parts kit.

**STEP 1** Loosen the Regulator Adjuster Lock Screw located on the on the Regulator Adjuster Knob.

**STEP 2** Using the Open End Wrench provided with the spare parts kit, turning the adjuster knob clockwise will decrease the regulator output pressure and turning the adjuster knob counter clockwise will increase the output pressure of the regulator. The regulator output should be no less than 300psi or at least one and a half turn counter clockwise of the Regulator Adjuster Knob from the bottom of the regulator.

**NOTE:** Too low of an output setting from the regulator will result in very low velocity and some re-cocking issue with the marker. You must have adequate output air pressure from the regulator to avoid starving the marker for air. Too high of an output setting of the regulator will result in excessive air consumption and poor air efficiency. This may also result in dangerously high velocities exceeding the recommended safety limits for playing paintball.

**STEP 3** After each adjustment to the regulator, you must fire the marker a few times to let the regulator settle to its new output setting.

**STEP 4** Securing the Regulator Adjuster Lock Screw will prevent the adjuster knob from turning due to vibrations keeping the regulator output setting stable and locked.

**IMPORTANT:** Any adjustment to the inline regulator output pressure will affect the markers velocity setting, always chronograph the marker after each adjustment. **NOTE:** The Fast Charge Inline Regulator is tuned from the factory to have an output pressure of approximately 350 psi.

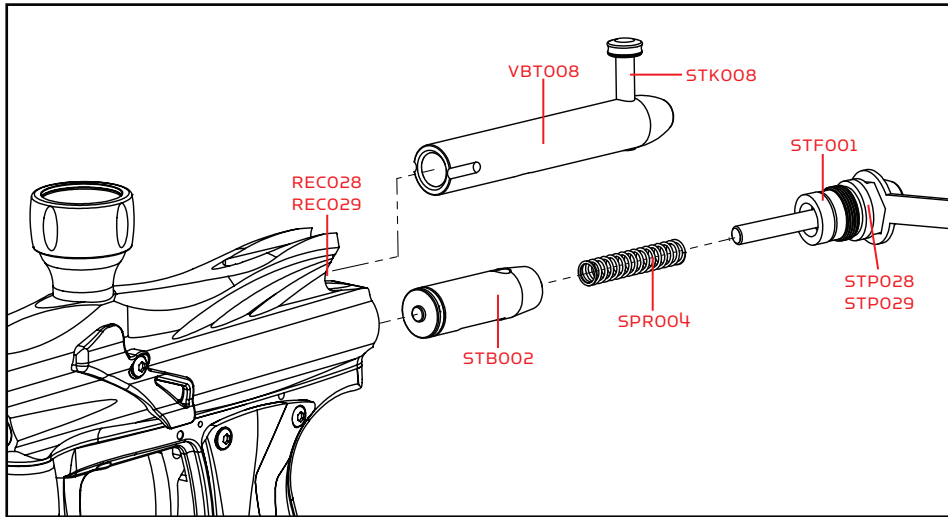
When adjusting the Regulator to "Decrease" the output pressure, you will need to fire the marker a few times to get the new setting. **IMPORTANT:** (Make sure you have your marker pointed in a safe direction and you are following all safety guidelines set with the use of this product.)

**IMPORTANT:** Markers that are equipped with regulators may store residual air after the Compressed Air Tank has been removed. To fully remove any residual air stored in the marker, turn the C/A On/Off adapter knob counter-clockwise to shut off the air supplied from the tank.

**IMPORTANT:** Do not attempt to service the regulator unless you have received proper training from a qualified Kingman Group service technician. Doing so will **VOID** all regulator warranties and liabilities from Kingman Group. If you experience any leaks or problem with the regulator, contact Kingman Group Technical Support Service Department.

**IMPORTANT:** Always remove all paintballs and CO<sub>2</sub> / Compressed Air Tank from your marker and remember to keep the marker in its un-cocked position before placing it in storage.

## DISASSEMBLE / REASSEMBLE AND CLEANING OF REAR INTERNALS



### Part Names and Numbers described in this section:

Top Cocking Knob (#STK008)

Delrin Bolt (#VBT008)

Striker Bolt (#STB002)

Striker Plug (#STP028/STP029)

Striker Spring (#SPR004)

Striker Buffer (#STF001)

Receiver (#REC028/REC029)

## QUICK CLEAN DISASSEMBLY

Lift upward on the Top Cocking Knob to disconnect the Delrin Bolt from the Striker Bolt. This will allow the Delrin Bolt to slide out from the rear of the Receiver. **HELPFUL TIP:** Removing the Delrin Bolt from the Receiver will allow easy access to clean with a squeegee. **NOTE:** Make sure the hole on the Striker Bolt is facing upright when looking thru the Receiver. This will allow the Top Cocking Pin to correctly fasten with the Striker Bolt.

**IMPORTANT:** The air passage hole located in the middle of the Delrin Bolt should always be facing downward when reinstalling. If the Delrin Bolt is not installed correctly, paintballs will not exit out of the barrel normally.

## DISASSEMBLE OF REAR INTERNALS

**STEP 1** Lift upward on the Top Cocking Knob to disconnect the Delrin Bolt from the Striker Bolt. This will allow the Delrin Bolt to slide out from the rear of the Receiver.

**STEP 2** Using an adjustable wrench turn the Striker Plug counter clockwise located at the rear of the Receiver. This will allow all internal parts such as the Velocity Adjuster & Spring Guide, Striker Spring, Striker Buffer and Striker Bolt to slide from the rear of the Receiver.

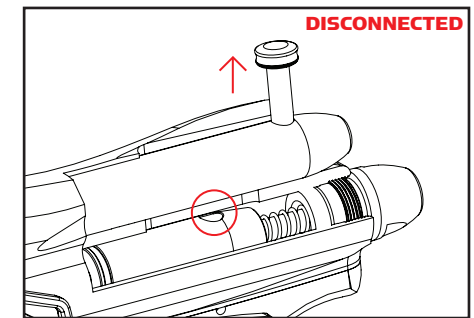
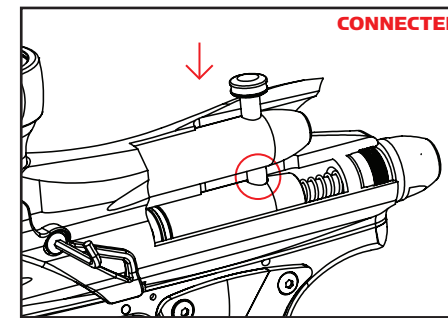
**NOTE:** Remove the Striker Plug only with the marker in the un-cocked position this will prevent the internals from springing out because the Striker Spring is compressed. **HELPFUL TIP:** Placing your finger behind the Striker Plug before removing this will prevent the markers internals from springing out.

**STEP 3** Remove items in order; Striker Plug w/Velocity Adjuster, Striker Spring and Striker Buffer.

**STEP 4** Slide the Striker Bolt out of the rear of the Receiver. **HELPFUL TIP:** When the internals are removed it would be wise to clean any dirt or paint from the inside of the Receiver with a squeegee and wipe the Delrin Bolt clean with a rag or paper towel. Apply some paintball gun oil on Striker O-ring periodically.

**IMPORTANT:** It is not necessary to disassemble the rear internals for basic maintenance unless the Striker O-ring needs to be replaced.

## REASSEMBLY REAR INTERNALS



**STEP 1** Reinsert the Striker Bolt with Striker O-ring facing toward the front of the marker with the flat spot of the Striker Bolt facing down. **NOTE:** Having the Power Switch ON will ease reentry of the Striker Bolt. Apply thumb pressure behind the Bolt and at the same time pull on the Trigger. Repeat this process until the Bolt is fully inserted.

**NOTE:** The hole on the Striker Bolt should be facing upright when looking thru the Receiver. **NOTE:** The images above display the Delrin Bolt "connected" to and "disconnected" from the Striker Bolt.

**STEP 2** Insert the Striker Buffer flush with the receiver and place the Striker Spring thru the Striker Buffer.

**STEP 3** Tighten firmly the Striker Plug w / Velocity Adjuster & Spring Guide to the rear of the Receiver.

**STEP 4** Insert the Delrin Bolt thru the rear of the Receiver with the Top Cocking Pin. Press downward on the Top Cocking Pin to gain entry with the Striker Bolt. **NOTE:** If the Striker Bolt hole is not aligned upright, the Top Cocking Pin will not fasten correctly.

**WARNING:** Before / after use of the marker, make sure to fasten all screws. Screws may become loose due to vibration. Loose screws can be dangerous and cause injury.

To assure that the marker is assembled properly, follow the schematic drawing or position parts in order during disassembly. Parts assembled backwards or improper parts installed will / can cause the marker to malfunction.

## A JAMMED PAINTBALL IN THE BREACH

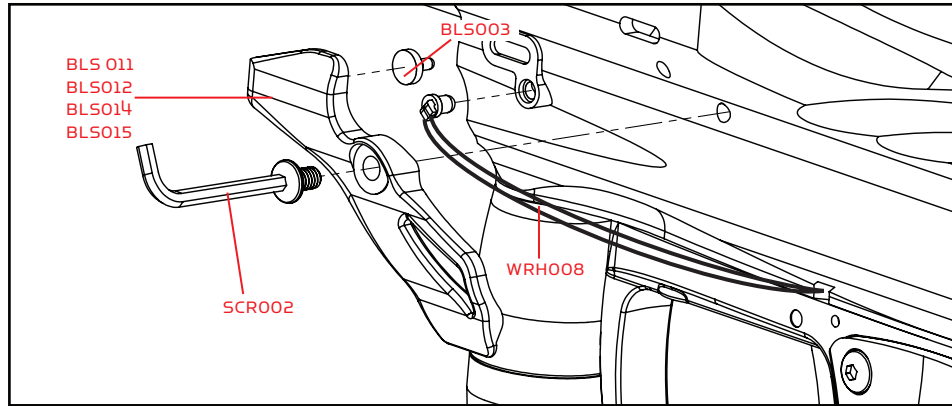
In the event of a paintball break and the Delrin Bolt jams, follow these steps to help un-jam the marker. The markers breach is located where the barrel starts to thread in the receiver and underneath the markers feed neck. Before attempting to un-jam the Delrin Bolt you should always have your Goggles or Safety Glasses on. Make sure the marker is in the SAFE / OFF position before attempting to un-jam the Delrin Bolt. Remove the CO2 / Compressed Air Tank before attempting to un-jam the marker. Remove all paintballs and the loader from the feed neck. Have the barrel removed from the receiver to allow the paintball (s) to exit. With enough force on the Cocking Knob, pull back to release the Delrin Bolt from the jammed position. Another method is to use a "Straight Shot Squeegee" or the end of a wood dowel rod; push against the face of the Delrin Bolt with enough force to release the jammed Bolt. Always clean the paint from the breach and barrel to enhance the performance of your marker.

**IMPORTANT:** Never look down the barrel of the marker when loaded or unloaded. Remove the attached CO2 / Compressed Air Tank before attempting to un-jam the Delrin Bolt.

**NOTE:** Never use a metal rod or screwdriver as a tool to push on the Delrin Bolt, anything metal will scratch and damage the inside of the marker.



## ANTI CHOP EYES



### Part Names and Numbers described in this section:

Eye Panel (#BLS011/BLS012/ BLS014/BLS015)  
 Ball Stopper (#BLS003)  
 Eye Panel Screw (#SCR002)  
 Eye Wire Harness (#WRH008)

## ANTI CHOP EYES

The Anti Chop Eyes help prevent the chopping of paint by not allowing the marker to fire until a paintball is properly chambered in the breach. The Eyes transmit a beam across the inside of the breach. The circuit board is preset from the factory and does not need to be adjusted or altered. (If the Eyes are ON and do not see each other when firing your marker, you will have to clean the Eyes.) **NOTE:** The Anti Chop Eyes system reduces the likelihood of chopping paintballs but do not completely eliminate it from happening, keep the Anti Chop Eyes clean for best and reliable performance.

## CLEANING THE ANTI CHOP EYES

Using a squeegee or swab thru the breach should clean the Eyes enough for the Eyes to detect each other. Another way is to use an aerosol can of air thru the breach to remove any paint or dirt. To thoroughly clean the Eyes using the supplied Allen wrench remove both Eye Panel Screws and Eye Panels. Once the Eye Panel Screws and Eye Panels are removed, proceed with a soft pinch to remove the Eye Wire Harness from the receiver. Use a cloth or paper towel to remove any paint or dirt that is blocking the Eyes.

**IMPORTANT:** Cleaning the Eyes often will help reduce dirt, paint or oil residue that blocks the Eyes

**NOTE:** Never attempt to rush the cleaning process or you can pinch the wires and cause the marker to malfunction with the Eye Mode ON. Take precaution not to over tighten the Eye Panel Screws or this can lead to stripping the head. **NOTE:** When the Eye Panels are removed the Ball Stopper(s) may be attached to the Eye Panels and can cause them to fall out. **HELPFUL TIP:** Please note how the parts are removed for easy reassembly.

**IMPORTANT:** Before removing both Eye Panels use a needle or dental pick through the hole of the Eye Panel to remove any dirt that may have built up and prevent the Allen wrench from loosening the screw. It's possible if the dirt is not removed you can strip the Eye Panel Screw.

**NOTE:** Maintenance cleaning of the Anti Chop Eyes should only be done if a paintball break in the breach has occurred and affected the detection of the paintballs. Removing the Delrin Bolt and pushing a swab type squeegee through the breach may be adequate in cleaning the Anti Chop Eyes.

## CHANGING THE BALL STOPPERS

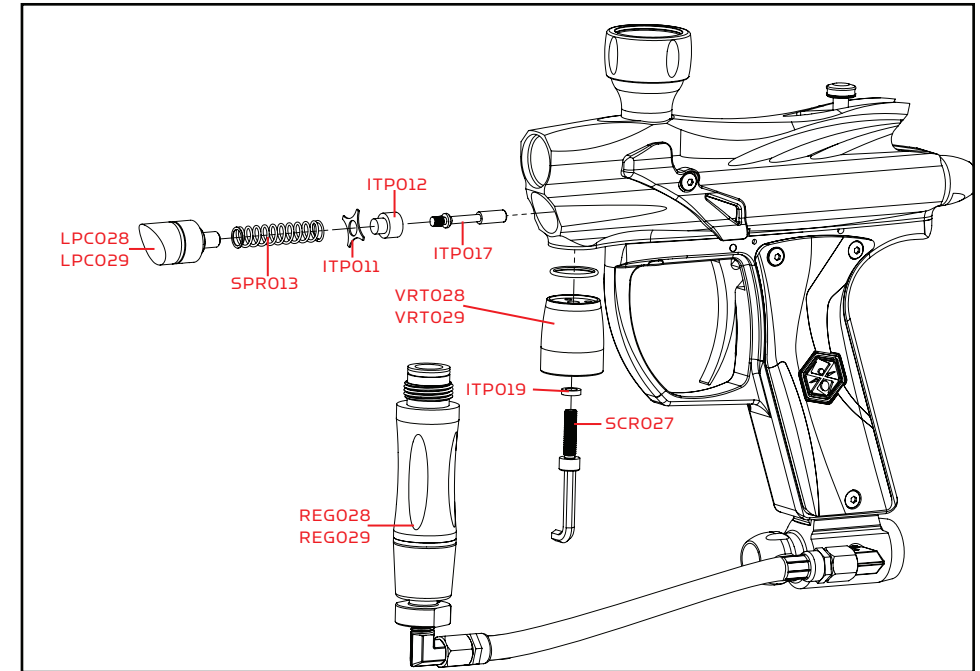
Experiencing paint rolling through the barrel can be related to small diameter paintballs or the loss of a Ball Stopper(s). When removing Eye Panel Screws and Eye Panels the Ball Stopper(s) will be accessible for cleaning or replacement.

**HELPFUL TIP:** Please note how the parts are removed for easy reassembly.

**IMPORTANT:** Before removing both Eye Panels use a needle or dental pick thru the hole of the Eye Panel to remove any dirt that can build up and block the Allen screw from loosening. It's possible if the dirt is not removed you can strip the Eye Panel Screw.

**NOTE:** Take precaution not to over tighten the Eye Panel Screws or this can strip the head. **NOTE:** Maintenance is not required for the Ball Stoppers unless they have completely worn out or is unable to keep a paintball from rolling out the breach of the marker when the marker is pointed down.

## CUP SEAL REMOVAL



### Part Names and Numbers described in this section:

Regulator (#REG028/REG029)  
 Cup Seal Guide (#ITP011)  
 Cup Seal (#ITP012)  
 Valve Pin (#ITP017)  
 M5x20 Vertical Washer (#ITP019)  
 Front Plug (#LPC028/LPC029)  
 Valve Spring (#SPR013)  
 Vertical Adapter (#VRT028/VRT029)  
 Vertical Adapter Mounting Screw (#SCR027)

## STEP BY STEP CUP SEAL ACCESS

Access of the cup seal for service or replacement requires the removal of the Front Plug and Vertical CA Adapter.

**STEP 1** Unscrew the Regulator from the Vertical CA Adapter.

**STEP 2** Remove the Vertical CA Adapter by unscrewing the Vertical CA Adapter Mounting Screw, be sure to keep a finger over the Front Plug to prevent it from springing out.

**NOTE:** The Front Plug and Vertical CA Adapter are both held in place by the Vertical CA Adapter Mounting Screw.

**STEP 3** Pull the Front Plug out and it should come out with the Valve Spring, Cup Seal Guide, Cup Seal and Valve Pin all together.

**STEP 4** Unscrew the Cup Seal from the Valve Pin and replace with the spare provided with your spare parts kit.

**STEP 5** Follow the previous steps in reverse to re-install all components properly. Make sure the Front Plug screw hole is lined up with the vertical adapter screw hole.

**IMPORTANT:** Always make sure all air sources have been removed from your marker and any residual air has been vented out completely before servicing your marker.

**NOTE:** Service or replacement of the Cup Seal should only be done if a leak is present and can be heard from the breach after the removal of the Delrin Bolt.

## TROUBLESHOOTING

### ONE OR MORE OF THE FOLLOWING MAY CAUSE RECOCKING RELATED ISSUES:

- Need lubrication on the following O-ring (#ORG001) (see Disassemble / Reassemble).
- The pressure in the tank is too low and possibly needs to be refilled.
- Striker O-ring (#ORG001) is damaged or missing. Replace with a new Kingman approved Striker O-ring.  
**NOTE:** The Striker O-ring can not be substituted with a black or urethane bottle o-ring.
- Dirt or broken paint shell fragments in the receiver can cause the marker to have recocking issues. Using a squeegee thru the upper portion of the receiver will remove most of the dirt or broken shell fragments. Should this issue continue, (see Disassemble / Reassemble) remove the markers internals for complete cleaning.
- Using low quality paintballs can cause the marker to experience recocking issues because of the shape of the paintballs. **HELPFUL TIP:** Paintballs have a shelf life and can become too fragile for use. **HELPFUL TIP:** Paintballs can take a different shape over time, so it would be wise to size the paintball with your barrel.

### ELECTRONIC TRIGGER FRAME TROUBLESHOOTING

- If your marker is not shooting it may be due to one of the following problems:
- Battery may need to be recharged.
- The Battery Wire Harness is not properly attached to the circuit board.
- The Coil Set Harness is not properly attached to the circuit board.
- The Touch Switch Harness is not properly attached to the circuit board. **NOTE:** If the Markers Electronics have any dirt or paint, Kingman recommends using an aerosol can of air. Apply the can of air directly at the components that need cleaning.

## AIR LEAKS

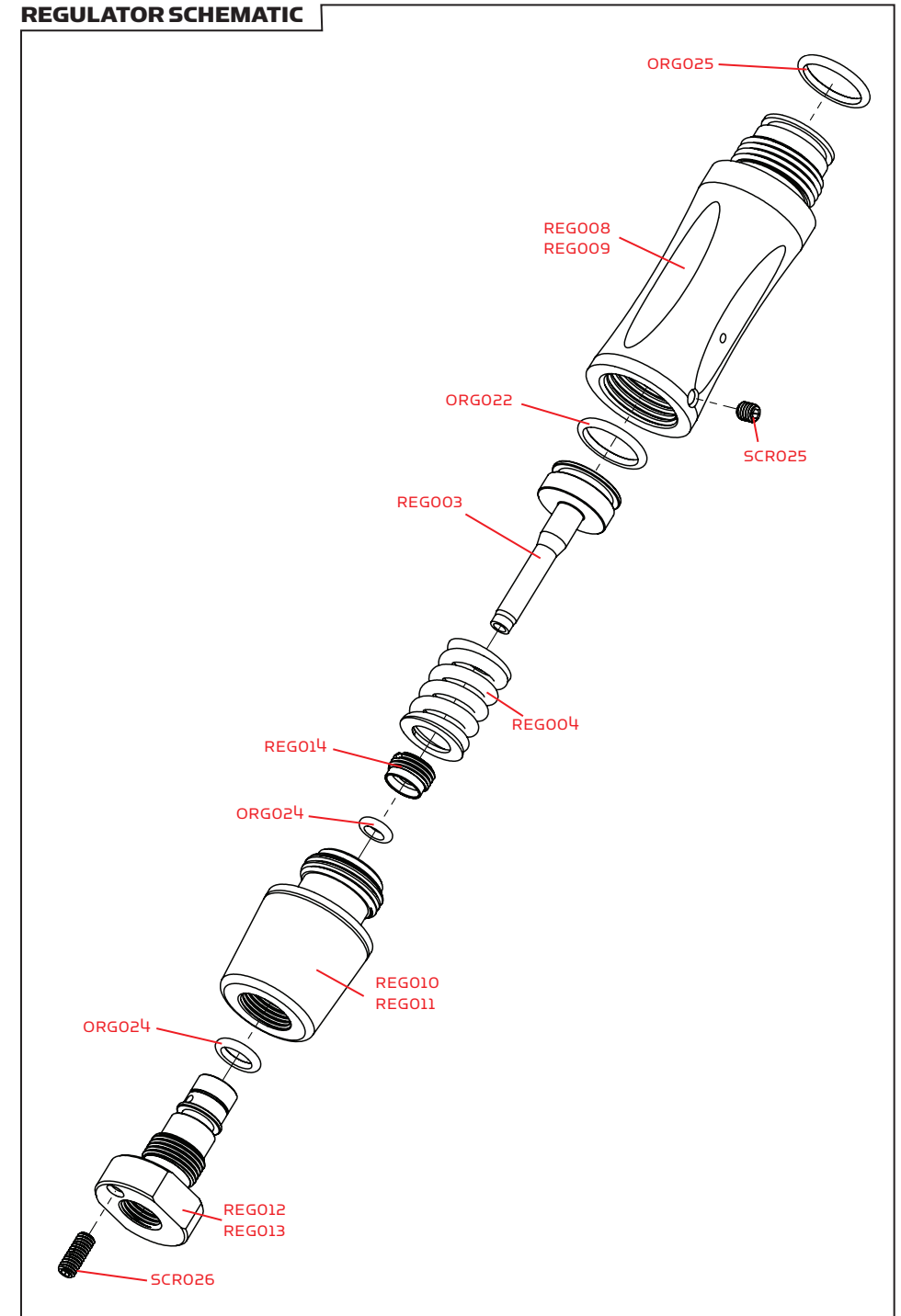
**IMPORTANT:** Always remove the air tank and paintballs before any disassembly of the marker.

- Air leaking from the Front Plug means the O-ring (#ORG002) will need to be oiled or replaced.
- Air leaking from the Vertical Adapter means the O-ring (#ORG023) will need to be oiled or replaced.
- Air leaking down the barrel is usually caused by a worn or damaged cup seal (#ITP012). (see Cup Seal Removal) should the cup seal need to be exchanged.
- Never remove Valve Body (#ITP018) unless specific repairs are needed.
- A nick or scratch on the lip of the Valve Body can cause an internal air leak (see Cup Seal Removal). The Valve Body may need to be replaced.
- Air leaking thru the Receiver and out of the Trigger Frame would indicate the Valve Body O-rings (#ORG002) will need to be replaced.
- If air is leaking thru the opposite end of the hose fittings, please check the following:
- The female end of the hose must have a plastic washer (#HSF004) installed inside the hose collar and be tightened properly.

**IMPORTANT:** The hose line supplied has metric female ends. This will not install into American 1/8" (NPT) threaded fittings. If installed incorrectly, it is possible to damage the attachment fittings and hose line.

**HELPFUL TIP:** To assure marker is assembled properly, follow the schematic drawing or position parts in order during disassembly. Parts assembled backwards or improper parts installed will / can cause the marker to malfunction.

## REGULATOR SCHEMATIC

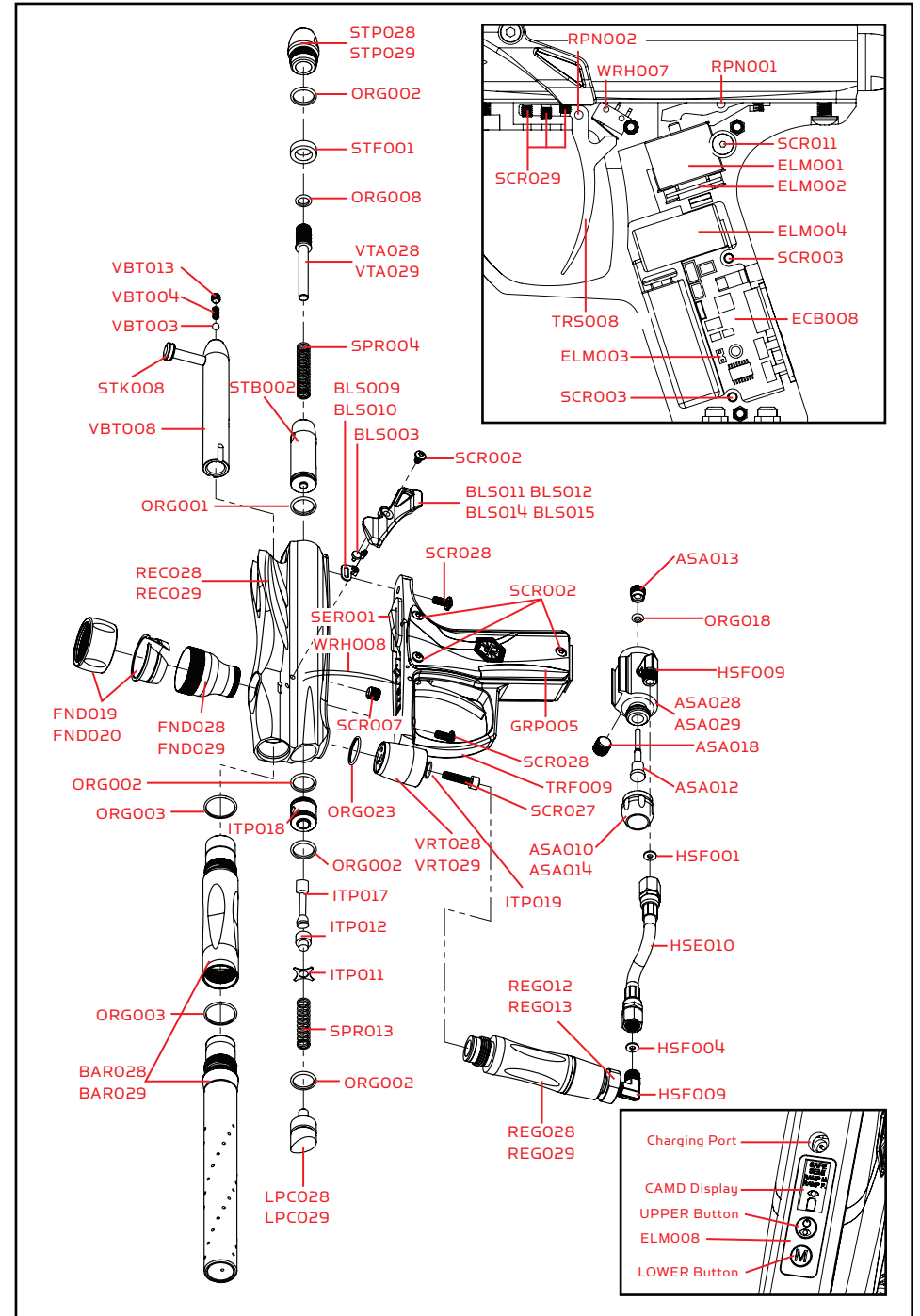


**ELECTRA w/Eye PARTS LIST**

ASA010	C/A On/Off Adapter Knob (polished black)	REG029	Electra w/Eye Receiver (polished titanium)
ASA012	C/A On/Off Depressing Pin	REG003	Reg Piston
ASA013	C/A On/Off Retaining Screw	REG004	Reg Spring
ASA014	C/A On/Off Adapter Knob (polished titanium)	REG008	Reg Top Body (polished black)
ASA018	C/A On/Off 1/8 Hose Plug	REG009	Reg Top Body (polished titanium)
ASA028	C/A On/Off Adapter (polished black)	REG010	Reg Mid Body (polished black)
ASA029	C/A On/Off Adapter (polished titanium)	REG011	Reg Mid Body (polished titanium)
BAR028	12" 2PCS Barrel (polished black)	REG012	Reg Adjuster (polished black)
BAR029	12" 2PCS Barrel (polished titanium)	REG013	Reg Adjuster (polished titanium)
BLS003	Ball Stopper	REG014	Reg O-ring Housing (F)
BLS009	Ball Stopper / Eye Wire Insert - right (black)	REG028	Regulator (complete) (polished black)
BLS010	Ball Stopper / Eye Wire Insert - left (black)	REG029	Regulator (complete) (polished titanium)
BLS011	Aluminum Eye Panel - right (polished black)	RPN001	Sear Roll Pin
BLS012	Aluminum Eye Panel - left (polished black)	RPN002	Trigger/Touch Switch Roll Pin
BLS014	Aluminum Eye Panel - right (polished titanium)	SCR002	M4 x 8 Screw (A)
BLS015	Aluminum Eye Panel - left (polished titanium)	SCR003	Circuit Board Screw (+)
ECB008	LEAP™ Circuit Board	SCR007	M8 x 8 Valve Body Screw (A)
ELM001	Coil Set	SCR011	Coil Set Screw
ELM002	Coil Pin	SCR025	M4 x 4 Reg Screw (A)
ELM003	Tournament Lock Switch	SCR026	M4 x 10 Reg Adjuster Screw (A)
ELM004	Capacitor	SCR027	M5 x 20 Vertical Screw (A)
ELM008	LEAP™ Touch Switch Membrane	SCR028	M5 x 10 Trigger Frame Screw (A)
ELM009	CAMD Display Cover	SCR029	M4 x 6 Trigger Adjustment Screw (A)
FND019	Twist Clamp & C Clip Insert (polished black)	SER001	Sear
FND020	Twist Clamp & C Clip Insert (polished titanium)	SPR004	Striker Spring
FND028	Feed Neck (polished black)	SPR009	ESP Sear Spring
FND029	Feed Neck (polished titanium)	SPR013	Valve Spring
GRP005	Dual Texture Grip Panel (black)	STB002	Striker Bolt
HSE010	Disconnect Hose (female x female)	STF001	Striker Buffer
HSF004	Plastic Washer	STK008	Top Cocking Knob
HSF009	90d Male to Male Adapter (STD x MET)	STPO28	Striker Plug Threaded (polished black)
ITPO11	Cup Seal Guide	STPO29	Striker Plug Threaded (polished titanium)
ITPO12	Cup Seal	TRF009	Electronic Trigger Frame (M)
ITPO17	Valve Pin (slim)	TR5008	Magnetic Saber Trigger (polished black)
ITPO18	Valve Body (blind hole)	VBT003	Delrin Bolt Locking Bearing
ITPO19	M5x20 Vertical Washer	VBT004	Delrin Bolt Locking Spring
LPC028	Front Plug (polished black)	VBT008	Delrin Bolt w/ Locking Knob
LPC029	Front Plug (polished titanium)	VBT013	Delrin Bolt Locking Screw
ORG001	Striker O-ring #14.3 1.7 60pu	VRT028	Vertical Adapter (polished black)
ORG002	O-ring #015 80	VRT029	Vertical Adapter (polished titanium)
ORG003	Barrel O-ring #22 1.5 80	VTA028	Velocity Adjuster & Spring Guide (polished black)
ORG008	O-ring #010 80	VTA029	Velocity Adjuster & Spring Guide (polished titanium)
ORG018	O-ring #08 80	WRH002	Battery Harness
ORG021	Reg Piston #14 70pu	WRH007	Touch Switch (3P)
ORG022	Reg Adjuster O-ring #11 80pu	WRH008	Eye Wire Harness
ORG023	Vertical O-ring #17 1.5 80		
ORG024	Piston Shaft O-ring #08 80pu		
*PAK005	Spare Parts Kit		
REC028	Electra w/Eye Receiver (polished black)		

\* Item Not Pictured (+) Cross-head Screw (A) Allen-head Screw

**ELECTRA w/Eye SCHEMATICS**



## WARRANTY STATEMENT

Kingman warrants the original retail purchaser that this product is free from defects in material and workmanship under normal use and service for a period of (1) year from the original date of purchase. Any Electronic Components in an Electronic Spyder marker are warranted for (6) months from the original date of purchase. Kingman agrees to repair or replace (at its discretion) any product within (a reasonable period of time). This warranty does not cover o-rings, cup seals, 9.6v rechargeable battery, charger, scratches, nicks, normal wear and tear of parts, any modifications, normal fading of anodizing and damage caused by dropping or hitting of products. This warranty shall not apply if it is shown by a Kingman Technician that the consumer caused the defect or malfunction because of misuse. This warranty only covers original factory parts. Any modifications or tampering of original factory parts will VOID warranty and liabilities from Kingman. Any damage caused by water will not be covered under warranty. Warranty repair can only be conducted by Kingman technician or Kingman authorized technician. For warranty to be effective, consumer must return the enclosed warranty registration card filled out, along with a copy of the purchase receipt, within (15) days of the original purchase date. This warranty is not transferable. Paintball markers are non-refundable. This warranty will not cover pick up, shipping, delivery, and/or house calls. If the product needs repair, the consumer is responsible for packaging the product and covering the shipping cost to Kingman. Please include a note with your name, address, phone number and a brief description of the malfunction to:

### KINGMAN GROUP

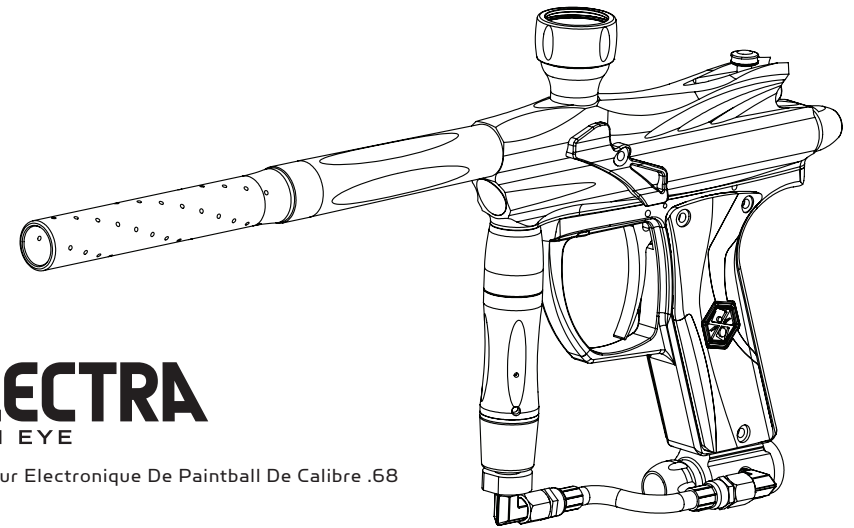
Attn: Tech Department  
14010 Live Oak Avenue  
Baldwin Park, CA 91706 U.S.A.  
[www.kingman.com](http://www.kingman.com)

» Warranty Registration is also available at [www.spyder.tv](http://www.spyder.tv)

### FOR TECHNICAL SUPPORT

Our Technical Support Department is open Monday through Friday, from 8am to 5pm (PST), and can be reached at Tele: (626) 430-2300 Fax: (626) 851-8530  
[www.spyder.tv](http://www.spyder.tv)

PASSION FOR PAINTBALL™



# ELECTRA

WITH EYE

Marqueur Electronique De Paintball De Calibre .68

## TABLE DES MATIERES

IMPORTANTES CONSIGNES DE SECURITE	23
MISE EN ROUTE	24
CONSIGNE DE SECURITE SUR LA BOUTEILLE DE CO2/AIR COMPRIME	25
INSTALLATION DE LA BOUTEILLE DE GAZ	26
UTILISATION APPROPRIEE DU BOUCHON DE CANON	26
INSTALLATION DE LA PILE / CHARGEMENT DE LA PILE EN OPTION	27-28
REGLAGES DE LA CARTE ELECTRONIQUE « LEAP » AVEC ECRAN « CAMD »	29
REGLAGE DE LA DETENTE	30
REGLAGE DE LA VELOCITE	30
ADAPTATEUR ON/OFF	31
REGLAGE DU REGULATEUR	31-32
DEMONTAGE/REMONTAGE ET NETTOYAGE DES PIECES INTERIEURES ARRIERES	33-34
COINCAGE DE BILLE	34
CAPTEURS ANTI CASSE DE BILLE / CHANGEMENT DES « ANTI DOUBLE FEED »	35
DEMONTAGE DU "CUP SEAL"	36
GUIDE DES PANNES / FUITES D'AIR	37
REGULATEUR SCHEMA	38
LISTE DES PIECES DU ELECTRA with Eye	39
SCHEMA ECLATE DU ELECTRA with Eye	40
POLICE DE GARANTIE	41

## IMPORTANTES CONSIGNES DE SECURITE



- Ce lanceur de paintball n'est pas un jouet, il peut provoquer des blessures grave voir la mort.
- Kingman recommande que le client soit agé d'au moins 18 ans pour acheter ce produit.
- Lisez le manuel attentivement et les précautions d'emploi de la bouteille d'air avant d'utiliser ce produit.
- Toute modification du produit ou de ses pièces d'origines entraînera l'annulation de la garantie ainsi que la responsabilité de Kingman.
- Kingman recommande d'utiliser un bouchon de canon quand le lanceur n'est pas utilisé.
- Pour s'assurer de la vélocité du lanceur kingman recommande fortement d'utiliser un chronographe spécifique au paintball disponible dans la plupart des boutiques spécialisées ou les terrains de paintball.
- Avant et après l'utilisation du lanceur, vérifiez que toutes les vis sont bien serrées. Les vis peuvent se dévisser à cause vibrations. Une vis mal serrée peut être dangereuse et pourrait causer des blessures.
- Kingman recommande fortement que toute personne utilisant Ce produit ou a la portée de ce produit pendant son utilisation doit porter un masque de protection intégrale qui protège les yeux et le visage conçu spécifiquement pour la pratique du paintball. Il est également primordial de porter cette protection non seulement pendant le jeu mais aussi pendant la maintenance, la vérification du lanceur et même pendant du tir sur cible.
- Kingman rappelle aux usagers qu'il est votre responsabilité de protéger vos yeux et votre visage tout le temps, et ne sera pas tenu responsable d'accident par négligence en ne portant pas les protections adéquat.
- Ne tirez jamais ou ne visez jamais une personne qui ne porte pas les protections adéquates au paintball et qui ne se trouve pas sur un terrain conçu à la pratique du sport.
- Considérez toujours votre lanceur comme si il était chargé et armé.
- Ne regardez jamais dans le canon que le lanceur soit chargé ou déchargé.
- Toujours garder son lanceur éteint ou sur le mode "safe" jusqu'a son utilisation.
- Toujours démonter la source de gaz du lanceur avant tout démontage.
- Tirez exclusivement des billes de paintball de calibre 0.68 avec ce lanceur.
- Assurez vous toujours que la culasse soit en position désarmée quand vous n'utilisez pas le lanceur.
- Utiliser un lanceur de paintball en dehors d'une zone faite pour le paintball peut être illégal, et peut être passible de poursuites si des dégâts ont été causés par son utilisateur.
- Transférez le manuel de l'utilisateur au nouveau propriétaire en cas de vente.

## IMPORTANTES CONSIGNES DE SECURITE / MISE EN ROUTE



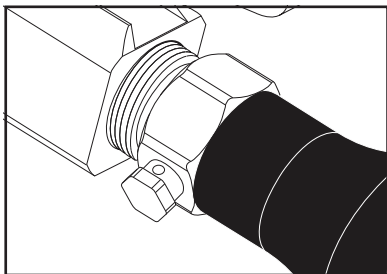
**ATTENTION:** Toujours garder son lanceur éteint ou sur le mode "safe" jusqu'a son utilisation.

1. Toujours mettre un bouchon de canon en bout de canon pour des raisons de sécurité quand le lanceur n'est pas utilisé.
2. Installer et charger la pile. (Voir chapitre INSTALLATION DE LA PILE, DE SON CHARGEMENT)
3. Attacher la bouteille de CO2 ou d'air comprimé à l'adaptateur on/off. **CONSEIL:** assurez vous que la bouteille de CO2 ou d'air comprimé soit remplie avant de la monter au lanceur. Vissez la bouteille dans le sens des aiguilles d'une montre dans l'adaptateur jusqu'à ce que la valve s'ouvre. Si vous constatez une fuite entre la valve de la bouteille et l'adaptateur, remplacez les joint torique uréthane. **NOTE:** Les joints toriques uréthane ne sont pas fournis dans le kit de réparation, ces joints ne sont pas fait pour la valve de la bouteille. **IMPORTANT:** vous ne devriez jamais avoir à utiliser des outils pour monter ou démonter la bouteille de CO2 ou d'air comprimé sur l'adaptateur on/off.
4. Attacher un chargeur électrique de bille et le coude plastique sur l'arrivée de bille du lanceur. Utilisez seulement des billes de calibre 0.68 dans le chargeur de billes. **NOTE:** Kingman recommande d'utiliser un chargeur de bille avec arrivée forcée des billes pour des performances optimum.
5. Allumez la carte électronique (reportez vous au chapitre REGLAGES DE LA CARTE ELECTRONIQUE « LEAP » AVEC ECRAN « CAMD »)
6. Armer le lanceur. Tirez la goupille de réarmement vers l'arrière jusqu'à ce que la culasse en delrin s'enclenche. **PRECAUTION:** si vous relâchez la goupille de réarmement avant l'enclenchement de la culasse cela peut engendrer un tir.
7. Détacher le bouchon de canon. **PRECAUTION:** si le bouton de mise sous tension a été enclenché, le lanceur est en mode « live », appuyer sur la détente déclenchera le tir d'une bille. **IMPORTANT:** toujours tester le lanceur dans une direction sûre ou dans une aire de jeu approprié.
8. Procéder à la vérification de la vélocité. Tourner la pièce « VELOCITY ADJUSTER/SPRING GUIDE » dans le sens des aiguilles d'une montre augmente la vélocité, dans le sens inverse la diminue. **NOTE:** le lanceur est équipé d'un régulateur qui peut ajuster la pression de service. (Voir le chapitre :réglage du régulateur et maintenance) **NOTE:** votre lanceur de paintball est fait pour être utilisé sur un terrain de paintball avec les protections adéquates. **IMPORTANT:** Kingman recommande d'utiliser un chronographe pour s'assurer que la vélocité est inférieure a 300 (fps)
9. Une fois le jeu fini, videz toutes les billes du chargeur avant de le détacher de l'alimentation de bille. **PRECAUTION :** il peut rester des billes chambrées à l'intérieur du lanceur, tirez quelques coups dans une direction sûre pour vider le lanceur ou le canon de toute bille.
10. Remettez le bouchon de canon au bout du canon, pour éviter tout accident en cas de décharge accidentelle.
11. Kingman recommande de mettre le lanceur en mode "SAFE" ou de l'éteindre après utilisation.
12. Dévisser la bouteille de CO2 ou d'air comprimé de l'adaptateur on/off. Tournez dans le sens inverse des aiguilles d'une montre détachera la bouteille du lanceur. Ne jamais exposer la peau en dessous de l'adaptateur on/off où se trouve le trou d'évacuation lors du démontage. Ceci peut provoquer des brûlures de la peau au moment de la purge du gaz. **IMPORTANT:** vous ne devriez jamais avoir à utiliser des outils pour monter ou démonter la bouteille de CO2 ou d'air comprimé sur l'adaptateur on/off.
13. Conserver le lanceur dans un sac de paintball ou une place sûre. **PRECAUTION :** Avant et après l'utilisation du lanceur, vérifiez que toutes les vis sont bien serrées. Les vis peuvent se dévisser à cause vibrations. Une vis mal serrée peut être dangereuse et pourrait causer des blessures. **CONSEIL :** il est conseillé de lubrifier votre lanceur après chaque utilisation, spécialement si le lanceur n'est pas utilisé fréquemment. ajouter quelque gouttes d'huile (spécifique au lanceur de paintball) sur le joint torique du marteau (#ORG001)(voir chapitre démontage/remontage). Avant de ranger le lanceur s'assurer qu'il n est pas en position armé, cela aidera a garder la tension du ressort de marteau.

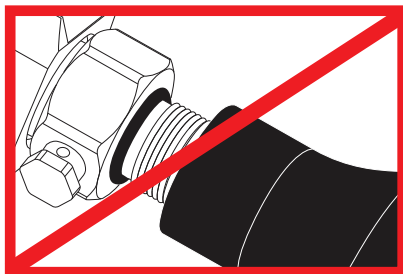
### IMPORTANT

- La vélocité peut varier selon l'altitude et les conditions climatiques
- Avant d'utiliser le lanceur il est impératif de procéder à un « test de sécurité de vélocité ». Pour cela utilisez un appareil appelé « chronographe de vélocité » spécifique au paintball disponible dans la plupart des boutiques spécialisées ou les terrains de paintball. **NOTE:** ce lanceur est conçu pour être utilisé à une vélocité inférieure a 300 pieds par seconde (fps). Ce produit ne doit pas être utilisé sur une personne a moins de 25 pieds.
- Ce lanceur de paintball peut contenir après le démontage de la bouteille de CO2 ou d'air comprimé un excédent de gaz toujours présent dans le lanceur, toujours enlever les billes du lanceur et tirer quelque coups pour vider l'éventuel excédent de gaz, en s'assurant de le faire prudemment.
- Ne jamais laissé monté une bouteille de CO2 ou d'air comprimé sur le lanceur si ce dernier n'est pas sous surveillance.

## CONSIGNE DE SECURITE SUR LA BOUTEILLE DE CO2 / AIR COMPRIME



**SAFE**



**WARNING: UNSAFE**



**DANGER**

La bouteille de CO2 ou d'air comprimé peut partir avec assez de force pour causer des blessures graves ou la mort si la valve se détache de la bouteille. Toujours regarder la valve en devisant la bouteille, en s'assurant que la valve tourne avec la bouteille et ne reste pas sans bouger contre l'adaptateur on/off. Arrêter le démontage si la valve commence à se dévisser de la bouteille. Dans le doute, revisser la bouteille (sens des aiguilles d'une montre) et contactez une personne compétente pour la réparation.

## CONSIGNE DE SECURITE SUR LA BOUTEILLE DE CO2 / AIR COMPRIME

- Toute valve doit être installée et désinstallée par une personne compétente en pneumatique.
- Reportez vous au label sur la bouteille pour les dates de ré-épreuve. Les bouteilles doivent être ré-évaluées périodiquement.
- Une utilisation, remplissage, conservation inadaptée à la bouteille peut provoquer la mort, des blessures ou / et des dégradations au matériel.
- Toujours garder les bouteilles hors de portée des enfants ou de personnes non expérimentées.
- Seulement les personnes ayant suivi un stage de remplissage avec la CGA Pamphlets P.1 et G-6.3 sont autorisées à remplir les bouteilles. Les Pamphlets sont disponibles au près de l'association « COMPRESSED GAS ASSOCIATION » ou sur le site [www.CGANET.com](http://www.CGANET.com).
- Ne jamais modifier la bouteille d'aucune manière que ce soit.
- Ne JAMAIS exposer une bouteille sous pression à une température supérieure à 130F (54C)
- Une bouteille chauffée à une température supérieure à 250F (121C) doit être jetée ou ré-évaluée en conformité avec le test défini dans le CFR-49
- La valve ne devrait jamais être détachée de la bouteille, demander immédiatement une assistance à une personne compétente si cela se produit.
- Toute bouteille incluse avec ce produit doit être utilisée exclusivement pour la pratique du paintball et rien d'autre.
- Vérifiez que le joint torique uréthane est bien présent sur la valve de la bouteille de CO2 ou d'air comprimé avant de monter la bouteille sur le lanceur. Si le joint torique est manquant, la bouteille se mettra à fuir du moment que la bouteille sera attachée au lanceur.
- Il est fortement conseillé d'utiliser exclusivement des joints toriques uréthane.
- Ne jamais monter la bouteille de CO2 ou d'air comprimé en surpression.
- Évitez toute exposition directe de la peau au gaz purgé, en montant ou démontant la bouteille du lanceur.
- Ne jamais exposer la bouteille à des substances corrosives ou produits caustiques

## MONTER UNE BOUTEILLE DE CO2/AIR COMPRIME

Visser fermement la bouteille de CO2 ou d'air comprimé dans le sens des aiguilles d'une montre dans l'adaptateur C/A On/Off **CONSEIL**: toujours vérifier que la bouteille de CO2 ou d'air comprimé soit pleine et que le joint uréthane soit présent sur la valve pour éviter des fuites.

**IMPORTANT**: vous ne devriez jamais avoir à utiliser des outils pour monter ou démonter la bouteille de CO2 ou d'air comprimé sur le C/A adaptateur On/Off.

## DEMONTRE UNE BOUTEILLE DE CO2/AIR COMPRIME

Dévisser la bouteille de CO2 ou d'air comprimé de l'adaptateur en tournant dans le sens inverse des aiguilles d'une montre. **CONSEIL**: après l'utilisation vous devriez toujours démonter la source de gaz de votre lanceur. Quand la bouteille est démontée de l'adaptateur on/off, un excédent de gaz est purgé par le dessous. **PRECAUTION**: Ne jamais exposer la peau en dessous de l'adaptateur on/off où se trouve le trou d'évacuation lors du démontage. Ceci peut provoquer des brûlures de la peau au moment de la purge du gaz. **IMPORTANT**: vous ne devriez jamais avoir à utiliser des outils pour monter ou démonter la bouteille de CO2 ou d'air comprimé sur l'adaptateur on/off.

## UTILISATION APPROPRIEE DU BOUCHON DE CANON

Le bouchon de canon est une partie essentielle à la sécurité de votre équipement. Le bouchon de canon est un outil servant à empêcher les billes de sortir du canon. Mal utilisé le bouchon de canon ne sert à rien.

### BOUCHON DE CANON TYPE "CHAUSSETTE"

Placer la chaussette du bouchon de canon par dessus le bout du canon et tirez l'élastique pour l'accrocher à l'arrière du lanceur, puis, ajuster l'élastique de manière à ce que la tension soit suffisante pour arrêter une bille sortant du canon. **NOTE** : si l'élastique est trop long, vous pouvez faire des nœuds pour raccourcir l'élastique.

### BOUCHON DE CANON TYPE "BOUCHON RIGIDE"

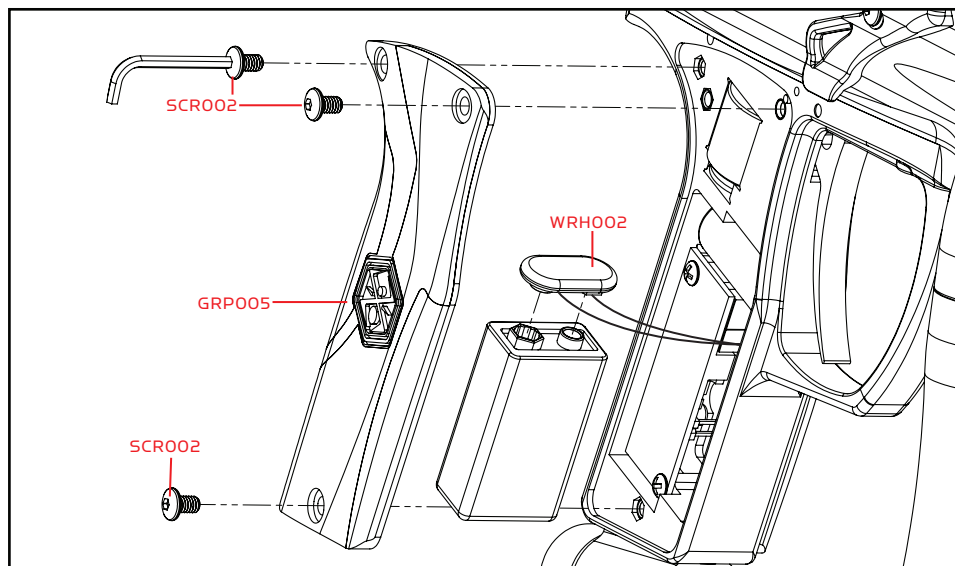
Insérez le bouchon de canon au bout de votre canon avant de monter la bouteille de gaz et de mettre des billes dans votre lanceur. Le bouchon de canon ne doit pas pouvoir s'enlever facilement.

**NOTE** : vérifiez toujours que les joints toriques ne soient pas usés ou encore coupés. N'enlevez le bouchon de canon que quand vous êtes prêt à jouer. Gardez toujours votre bouchon de canon sur votre lanceur après avoir fini de jouer et gardez-le, même après avoir vidé le lanceur des billes de paintball et démonté la bouteille de gaz de votre lanceur.

### ATTENTION

Pensez à inspecter régulièrement votre bouchon de canon, si vous observez une usure, remplacez-le immédiatement. Toujours avoir votre bouchon de canon sur votre lanceur pour prévenir un éventuel accident qui pourrait causer de graves blessures ou même la mort.

## INSTALLATION DE LA PILE



### Noms des pièces et référence décrits dans ce chapitre:

Dual Texture Grip Panel (#GRP005)

M4 x 8 Screw (A) (#SCRO02)

Battery Harness (#WRH002)

## INSTALLATION DE LA PILE

**NOTE:** Ce lanceur peut fonctionner avec une pile Alcaline 9 Volts. N'utilisez que des piles Alcalines de qualité supérieures pour assurer les meilleures performances possible. (Pile non incluse) Le nombre de tirs peut varier selon le type de pile 9 Volts Alcaline utilisée (de 2300 à 3200), choisir une pile de qualité maximum vous donnera de meilleurs résultats.

Kingman Group recommande d'utiliser une pile Spyder 9.6 Volts rechargeable comme source de courant pour des performances optimums et pour augmenter la capacité du nombre de tir entre 5000 et 6000 coups. (la pile Spyder et son chargeur sont vendu séparément)

**IMPORTANT :** Les performances varient selon le mode de tir dans le quel le lanceur se trouve.

**ETAPE 1** Dévissez les 3 vis M4X8 du coté droit du grip.

**ETAPE 2** Attachez la pile a la fiche (battery harness).

**ETAPE 3** Revissez les 3 vis M4X8.

**ASTUCE :** Notez comment les pièces sont désassemblées pour faciliter le remontage.

## INSTRUCTIONS DU CHARGEUR

Pour charger une pile Spyder 9.6 NiMH, la carte électronique doit être éteinte. Les piles Spyder (JE1015) ne sont pas complètement chargées à l'achat. Utilisez le chargeur Spyder LED A/C (JE 1029) fourni avec, après avoir branché le chargeur au secteur, connectez le chargeur à la carte électronique par le port situé à l'arrière de la poignée du lanceur. Pour charger la pile complètement, Kingman recommande un temps de charge de **6 à 8 heures**.

### INSTRUCTIONS DE CHARGE de la pile 9.6 Volts (U.S.) accessoire en option

**ETAPE 1 :** branchez le chargeur Spyder LED A/C sur la prise électrique 110V / 220 V selon le pays d'utilisation.

**ETAPE 2 :** connectez le câble du chargeur Spyder LED A/C à l'arrière de la poignée du lanceur.

**ETAPE 3 :** la LED sur le chargeur s'affichera en rouge lorsque la pile charge

**ETAPE 4 :** la LED sur le chargeur s'affichera en verte lorsque la pile est chargée

**ETAPE 5 :** débranchez le câble connecté à l'arrière de la poignée du lanceur

**ETAPE 6 :** débranchez le chargeur Spyder LED A/C de la prise électrique

**IMPORTANT:** vous ne devez jamais charger la pile plus de 24 heures sous peine d'endommager la pile ou les composants électroniques.

**ASTUCE:** Il est recommandé de charger la pile le jour avant son utilisation pour assurer des performances maximum, surtout si le lanceur n'a pas été utilisé depuis plus d'une semaine

**NOTE:** Une pile Spyder chargée peut tirer environ 5000 à 6000 coups, dépendant du mode de tir dans le quel se trouve le lanceur. Dans des conditions de chargement normales et en suivant les consignes, une pile Spyder a une durée de vie d'environ 700 à 1000 charges. Pour éviter tout risqué d'explosions de la pile ou des circuits électroniques, ne chargez que la pile Spyder 9.6Volt NiMH dans la poignée du lanceur.

### IMPORTANT

- **NE PAS FAIRE:** ne chargez jamais une pile Alcaline ou tout autre type de pile dans un lanceur Spyder.
- **NE PAS FAIRE:** Ne chargez aucune pile montrant des signes d'usure, rouillées ou ayant des fuites.
- **NOTE:** Ne pas suivre les instructions déchargera Kingman de toute garantie ou encore responsabilité.

Kingman ne sera pas tenu responsable des blessures ou dommages cause par une mauvaise utilisation du produit. Ce produit n'est pas destiné à être utilisé sur autre chose que sur le produit que Kingman a conçu.

### INSTRUCTIONS DE CHARGE de la pile 9.6 Volts (E.U) accessoire en option

Pour charger une pile Spyder 9.6 NiMH, la carte électronique doit être éteinte. Les piles Spyder (JE1015) ne sont pas complètement chargées à l'achat. Utilisez le chargeur Spyder LED A/C (JE 1029) fourni avec, après avoir branché le chargeur au secteur, connectez le chargeur à la carte électronique par le port situé à l'arrière de la poignée du lanceur. Pour charger la pile complètement, Kingman recommande un temps de charge de **6 à 8 heures**.

**ASTUCE:** Il est recommandé de charger la pile le jour avant son utilisation pour assurer des performances maximum, surtout si le lanceur n'a pas été utilisé depuis plus d'une semaine

**NOTE:** Une pile Spyder chargée peut tirer environ 5000 à 6000 coups, dépendant du mode de tir dans le quel se trouve le lanceur. Dans des conditions de chargement normales et en suivant les consignes, une pile Spyder a une durée de vie d'environ 700 à 1000 charges.

Pour éviter tout risqué d'explosions de la pile ou des circuits électroniques, ne chargez que la pile Spyder 9.6Volt NiMH dans la poignée du lanceur.

### IMPORTANT

- **NE PAS FAIRE:** ne chargez jamais une pile Alcaline ou tout autre type de pile dans un lanceur Spyder.
- **NE PAS FAIRE:** Ne chargez aucune pile montrant des signes d'usure, rouillées ou ayant des fuites.
- **NOTE:** Ne pas suivre les instructions déchargera Kingman de toute garantie ou encore responsabilité.

Kingman ne sera pas tenu responsable des blessures ou dommages cause par une mauvaise utilisation du produit. Ce produit n'est pas destiné à être utilisé sur autre chose que sur le produit que Kingman a conçu.



## LEAP™ CIRCUIT BOARD avec CAMD SETTINGS

**SAFE** – rouge LED

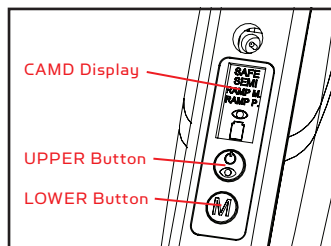
**SEMI** – verte LED

**RAMP P** – bleu LED (PSP Ramp) 13 Billes Par Seconde

**RAMP M** – bleu LED (Millennium Ramp) 12 Billes Par Seconde

**EYE**  – Orange LED (LED ON = Eyes ON, LED OFF = Eyes OFF)

**BATTERY**  – Jaune LED (couleur unie LED = bon, clignotant LED = faible)



### LES 2 BOUTONS DE PARAMETRAGE

Pressez le bouton du haut "POWER/EYE" pour allumer le lanceur. L'écran CAMD affichera le voyant rouge "safe" et le voyant « ON », ce qui signifie que le lanceur est allumé mais avec la sécurité enclenchée donc le lanceur ne tirera pas. Le mode par défaut est le semi auto et l'écran CAMD affichera le mode « semi » en vert.

Pour désenclencher la sécurité, appuyez et relâchez sur le bouton du bas « MODE » le voyant « SAFE » s'éteindra, et le lanceur est prêt à tirer. Pour enclencher la sécurité de nouveau, réappuyez sur le bouton du bas et le lanceur reviendra en mode « SAFE » et le voyant s'allumera rouge.

Pour éteindre le lanceur, appuyez et laissez maintenu le bouton "power/eye" jusqu'à ce que la carte s'éteigne et aucun voyant ne soit actif.

### CHANGEMENT DES MODES DE TIR

Pour changer de mode de tir, appuyez sur la touche du bas "Mode" jusqu'à ce que le voyant « MODE » clignote, vous êtes maintenant dans la sélection des modes. A chaque pression du bouton, vous passerez d'un mode à l'autre, vous verrez les différents voyants vous indiquer quel mode vous sélectionnez. Appuyez et tenez appuyé le bouton du bas jusqu'à ce que le voyant s'arrête de clignoter, le mode de tir est maintenant sélectionné. Le lanceur par défaut se remet toujours en position « SAFE », pour pouvoir tirer, veuillez presser le bouton du bas une fois pour enlever la sécurité, le lanceur est maintenant prêt à tirer. **NOTE:** Quand le lanceur est éteint, à sa prochaine mise sous tension, la carte se réinitialise, et le mode par défaut redevient le mode « SEMI » à moins que vous ayez verrouillé le mode que vous avez sélectionné. (voir chapitre VERROU DES MODES)

**IMPORTANT:** la sécurité peut être enclenchée dans n'importe quel mode, juste en pressant le bouton du bas, l'indicateur s'affichera rouge et le lanceur sera protégé de tout tir accidentel.

### VERROU DES MODES

Pour verrouiller le lanceur en mode SEMI AUTO, retirez le verrou de sur la carte électronique quand le lanceur est éteint. Le lanceur à partir de ce moment là ne fonctionnera plus que en mode SEMI AUTO.

To lock the operation in Ramp P (PSP) Mode turn the marker Power "ON", select Ramp P on the CAMD indicator, remove the tournament lock switch from the circuit board to lock in Ramp P Mode.

Pour verrouiller le lanceur en mode RAMP P, retirez le verrou de sur la carte électronique avec la carte allumée cette fois. Cela bloquera le lanceur dans le mode RAMP P.

**NOTE:** Faites la même chose si vous désirez sélectionner le mode RAMP M.

**NOTE:** Utilisez le verrou également si les règles du jeu vous l'imposent.

### FONCTIONNEMENT DES "YEUX"

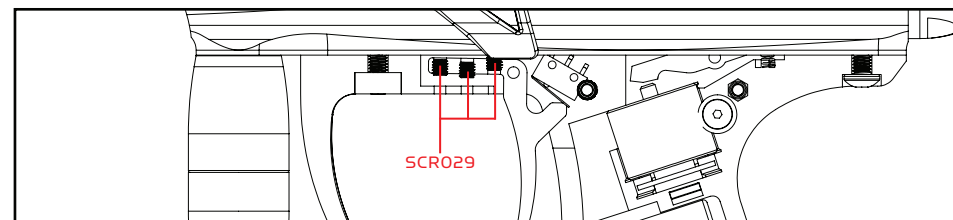
Pour éteindre les "yeux", appuyez sur le bouton du haut, et le voyant orange s'éteindra indiquant ainsi que les yeux sont en position "off" **NOTE:** ce mode est très utile si vous voulez tirer sans bille. Pour remettre les yeux, appuyez à nouveau sur le bouton du haut. **NOTE:** Semi-Auto mode maybe the only allowable firing mode permitted in your country. Check with your local officials regarding this application. For example select European countries, Australia and New Zealand are restricted to use Semi-Auto model only. **NOTE:** le mode semi auto peut être le seul autorisé dans le pays dans lequel vous vous trouvez, demandez aux autorités locales la législation. Par exemple dans tous les pays d'Europe ainsi qu'en Australie et en Nouvelle Zélande, seulement le mode semi auto est autorisé.

Veuillez noter : la version Européenne est verrouillée en SEMI AUTO

### MISE EN GARDE

- Les lanceurs Spyder ne sont pas résistants à l'eau.
- Une humidité trop importante peut causer de sérieux dommages aux lanceurs électroniques Spyder.
- Toujours nettoyer de la saleté ou de la peinture sur les composants électroniques du lanceur.
- Ne jamais essayer de modifier les composants électroniques, le faire, annulera toutes les garanties et la responsabilité de Kingman sur les pièces électroniques.

## REGLAGE DE DETENTE



### Détente "SABRE" à rappel magnétique

Le réglage de la détente se fait à l'aide de 3 vis, une pour le déclenchement du tir, une pour la butée et une autre pour la force de rappel magnétique de la détente.

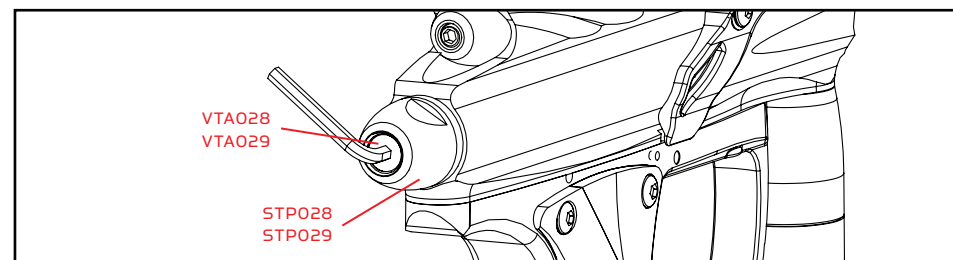
La plus éloignée des vis de la détente règle le rappel magnétique de la détente, elle règle donc la dureté de la détente, visser la vis durcit la détente, alors que la dévisser la rendra plus souple.

La seconde vis, permet de régler le point de contact entre la détente et le micro switch, plus la détente est vissée, plus la course de la détente sera courte, à l'inverse plus on dévisse plus la course de détente sera longue.

**ASTUCE:** ne vissez pas la vis au point où la détente fasse un contact permanent avec le microswitch, si tel est le cas, le lanceur ne tirera pas.

La dernière vis de la détente, permet le réglage de la butée de la détente, une fois le contact de la détente avec le microswitch, le tir est déclenché, cette vis permet d'ajuster la course de la détente après le tir.

## REGLAGE DE LA VELOCITE, AUGMENTER / DIMINUER



Pour AUGMENTER la vitesse FPS (feet per second = pieds par seconde) utilisez la clef six pans et tournez la pièce VELOCITY ADJUSTER/SPRING GUIDE dans le sens des aiguilles d'une montre.

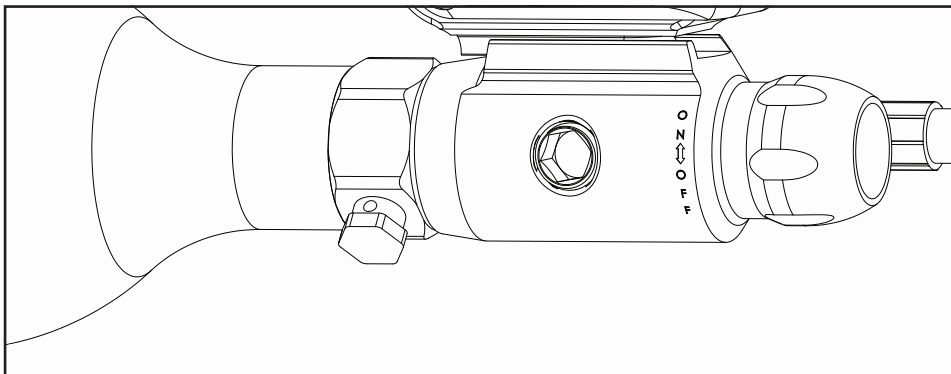
Pour DIMINUER la vitesse, tournez dans le sens inverse des aiguilles d'une montre.

**NOTE:** la pièce VELOCITY ADJUSTER/SPRING GUIDE ne se démonte pas par l'arrière du bouchon de la pièce STRIKER PLUG.

### MISE EN GARDE

- La vitesse de ne doit jamais excéder 300 fps, une vitesse plus importante est dangereuse et peut causer de sérieuses blessures.
- Les lanceurs de paintball ne sont pas faits pour être utilisés contre des personnes à moins de 25 feet.
- Ne jamais pointer le lanceur en direction d'une personne qui ne porte pas une protection faciale adaptée à la pratique du paintball.
- Ne regardez jamais dans le canon à aucun moment que le lanceur soit chargé ou non.
- Utiliser un lanceur de paintball en dehors d'une zone faite pour le paintball peut être illégal, et peut être passible de poursuites si des dégâts ont été causés par son utilisateur.

## ADAPTATEUR ON/OFF



**CONSEIL:** Pensez à vérifier que votre bouteille de co2 ou d'air comprimé soit complètement remplie avant utilisation.

- Vissez la bouteille de co2 ou d'air comprimé à l'adaptateur on/off.
- Visser la bouteille dans le sens des aiguilles d'une montre jusqu'à arriver en butée.
- Pour mettre le lanceur sous pression, visser la molette à l'avant de l'adaptateur on/off dans le sens indiqué pour ouvrir la valve. Si vous constatez une fuite entre la valve de la bouteille et l'adaptateur on/off, remplacez le joint torique uréthane de la valve.
- Pour purger la pression et couper l'arrivée d'air du lanceur, tourner dans le sens OFF indiqué sur l'adaptateur on/off.

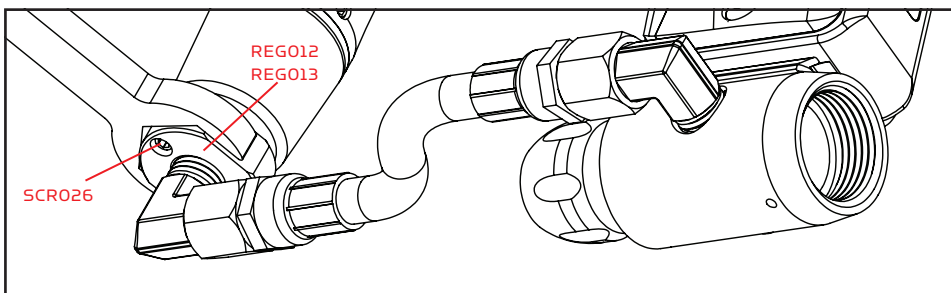
**IMPORTANT:** Les lanceurs équipés d'un régulateur, après avoir enlevé la bouteille d'air ou de co2 peuvent toujours contenir une charge de gaz, pour s'en assurer, après avoir purgé le gaz et démonté la bouteille, tirez quelques coups à vide dans une direction sûre jusqu'à ce que le lanceur n'ai plus du tout de gaz et soit en position désarmé.

**IMPORTANT :** Vous ne devez jamais avoir à recourir à un outil pour démonter la bouteille.

**NOTE:** Les joints toriques fournis dans le kit de réparation ne sont pas fait pour la valve de la bouteille.

**NOTE:** Les filetages de l'adaptateur on/off sont des pas américains 1/8 NPT.

## REGLAGE DU REGULATEUR



**PRECAUTION:** N' essayez jamais de démonter le régulateur alors que le lanceur est sous pression. Cela peut engendrer des blessures graves voir la mort.

L' ELECTRA w/eye est équipé avec un régulateur en ligne à recharge rapide qui améliore l' autonomie d'air et donne une vitesse plus constante. Une fois que la bouteille de CO2 ou d'air comprimé a été installée et que l'adaptateur on/off a été mis sur « ON » le lanceur est prêt à tirer. Le réglage de la pression de sortie se fait par la molette située en bas du régulateur , à l' aide de la clef fournie dans le kit de réparation.

**ETAPE 1** Déserrer la vis de contre serrage située sur la molette

**ETAPE 2** Utilisez la clef fournie dans le kit de réparation, pour augmenter la pression de sortie du régulateur, tournez l'ajusteur du régulateur (reg adjuster #REG006) dans le sens inverse des aiguilles d'une montre. Pour baisser la pression de sortie du régulateur tournez l'ajusteur du régulateur dans le sens des aiguilles d'une montre. La pression de sortie du régulateur ne devrait jamais être inférieure à 300 psi. C'est à dire un tour et demie en dévissant la molette quand elle est en butée contre le corps inférieur du régulateur. **NOTE:** si la pression de sortie du régulateur est inférieure à 300 psi, le lanceur peut avoir des problèmes à réarmer. Une pression trop élevée augmentera la consommation d'air et risque d'augmenter la vitesse du lanceur au delà de 300 fps et donc d'être dangereuse.

**ETAPE 3** Après chaque réglage de la pression de sortie du régulateur, tirez quelques coups afin d'évacuer le gaz du lanceur pour obtenir la pression voulue.

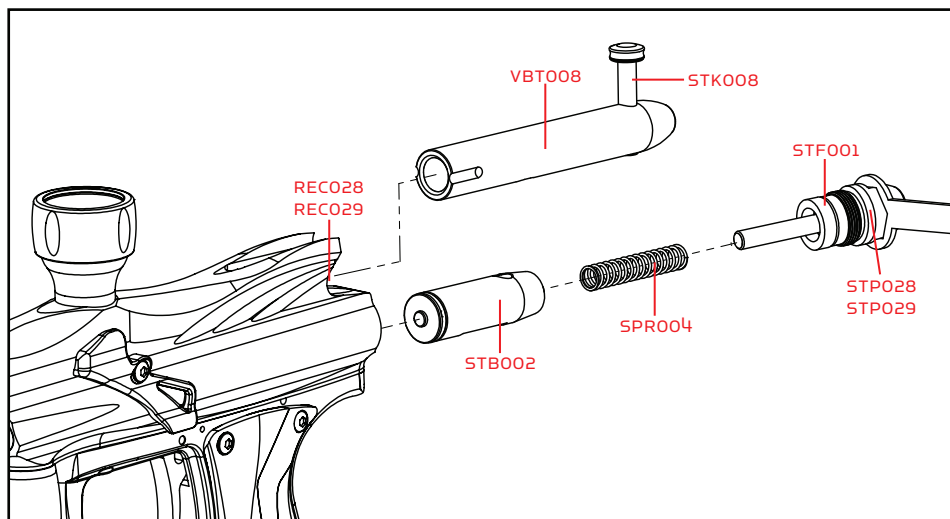
**ETAPE 4** après tout ajustement, pensez à resserrer la vis de contre serrage pour éviter que le réglage bouge. **IMPORTANT:** tout ajustement de la pression de sortie du régulateur effectué après avoir chronographié le lanceur affectera la vitesse. **NOTE :** Le régulateur en ligne est réglé à plus ou moins 350 psi sortie d'usine.

Si vous voulez descendre la pression de sortie, il faudra que vous tiriez quelques coups pour voir la nouvelle pression de sortie s'afficher au manomètre. **IMPORTANT :** assurez vous que le lanceur est pointé dans une direction sûre et que vous suivez les consignes données dans ce manuel d'utilisateur. **IMPORTANT:** les lanceurs équipés d'un régulateur, après avoir enlevé la bouteille d'air ou de co2 peuvent toujours contenir une charge de gaz, pour s'en assurer, après avoir purgé le gaz et démonté la bouteille, tirez quelques coups à vide dans une direction sûre jusqu'à ce que le lanceur n'ai plus du tout de gaz et soit en position désarmé.

**IMPORTANT:** n'essayez pas de faire les réparations du régulateur vous même à moins que vous n'ayez suivi une formation par un technicien de Kingman group. Le faire annulera toutes les garanties et la responsabilité de Kingman Group. Si vous constatez des fuites ou autres problèmes, contactez le service technique de Kingman group.

**IMPORTANT:** toujours enlever les billes et la bouteille de CO2 ou d'air comprimé de votre lanceur, et n'oubliez pas de stocker votre lanceur en position désarmé (culasse vers l'avant).

## DEMONTAGE/REMONTAGE ET NETTOYAGE DES PIÈCES INTÉRIEURES ARRIÈRES



Noms des pièces et référence décrits dans ce chapitre

Top Cocking Knob (#STK008)

Delrin Bolt (#VBT008)

Striker Bolt (#STB002)

Striker Plug (#STP028/STP029)

Striker Spring (#SPR004)

Striker Buffer (#STF001)

Receiver (#RECO28/RECO29)

## NETTOYAGE ET DEMONTAGE RAPIDE

Tirer la goupille de réarmement TOP COCKING KNOB vers le haut. Cela désolidarise la culasse DELRIN BOLT du marteau STRIKER BOLT et vous pourrez ainsi tirer la culasse vers l'arrière et la sortir du lanceur. **CONSEIL**: retirer la culasse permet le nettoyage plus pratique à l'aide d'un « squeegee ». **NOTE**: vérifiez toujours que le trou du marteau soit vers le haut et qu'on le voit en entier quand on regarde par le dessus du corps du lanceur pour pouvoir connecter la goupille de réarmement qui lie la culasse au marteau. **IMPORTANT**: vérifiez toujours que le trou situé au milieu de la culasse en delrin soit vers le bas pour autoriser le gaz de passer de la valve à la culasse pour propulser la bille, si le trou est vers le haut, les billes sortiront avec une vitesse très basse.

## DEMONTAGE/REMONTAGE ET NETTOYAGE DES PIÈCES INTÉRIEURES ARRIÈRES

**ETAPE1** : tirez la goupille de réarmement vers le haut et tirez la culasse hors du corps.

**ETAPE2** : utilisez un clef à molette pour dévisser le « Striker plug » à l'arrière du corps, permettant de sortir toutes les autres pièces hors du corps.

**NOTE** : assurez vous que le lanceur soit en position désarmé pour minimiser la pression du ressort de marteau afin que les pièces ne soient pas éjectées hors du corps,

**ASTUCE** : gardez votre pouce sur la pièce « STRIKER PLUG » afin relâcher les pièces doucement

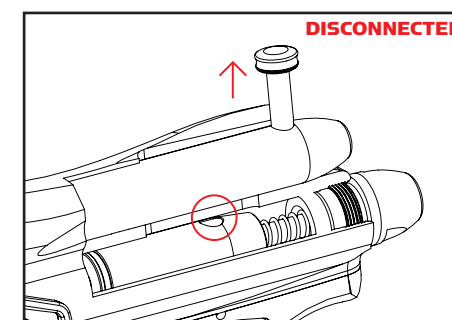
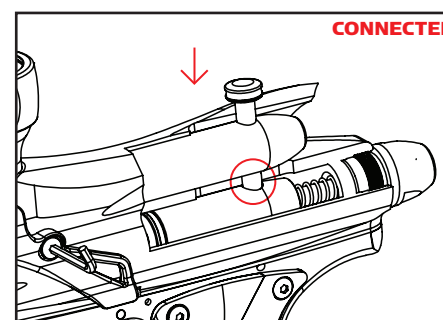
**ETAPE3** : Sortez les pièces dans l'ordre « striker plug », ressort de marteau et bumper.

**ETAPE4** : faites glisser le marteau hors du corps.

**CONSEIL** : nettoyez l'intérieur du corps à l'aide d'une tige, nettoyez également le marteau et la culasse en remettant quelque gouttes d'huile sur le joint torique rouge du marteau.

**IMPORTANT** : il n'est pas nécessaire de démonter les pièces internes pour un entretien normal à moins que vous deviez changer le joint torique du marteau (striker O-ring).

## REMONTAGE DES PIÈCES INTERNES ARRIÈRES



**ETAPE1** : en premier, réinsérez le marteau en faisant attention de le mettre avec le joint torique rouge vers l'avant et le trou pointé vers le haut pour pouvoir se connecter avec la culasse.

**NOTE** : pour réinsérer le marteau, allumez le lanceur, et en même temps que vous appuyez sur le marteau, avec votre pouce, appuyez plusieurs fois sur la détente afin d'insérer le marteau jusqu'au fond. **NOTE** : le trou du marteau doit être situé vers le haut et visible depuis le dessus du corps pour permettre de connecter la culasse.

**ETAPE2** : remettez le bumper avec le ressort de marteau passant par le milieu du bumper.

**ETAPE3** : revissez fermement le striker plug à l'arrière du corps.

**ETAPE4** : faites glisser la culasse vers l'avant en s'assurant que le trou du marteau soit aligné afin que la goupille de réarmement puisse se connecter, puis pressez la goupille de réarmement vers le bas et assurez vous que la culasse soit bien connectée au marteau.

**MISE EN GARDE** : avant et après l'utilisation, vérifiez que toutes les vis soient bien serrées, une vis desserrée peut causer de sérieuses blessures.

Pour assurer un montage correct, suivez le schéma en regardant la position des composants. Une pièce mal montée causera des problèmes de fonctionnement du lanceur.

## BILLE COINCÉE DANS LA DESCENTE DE BILLE

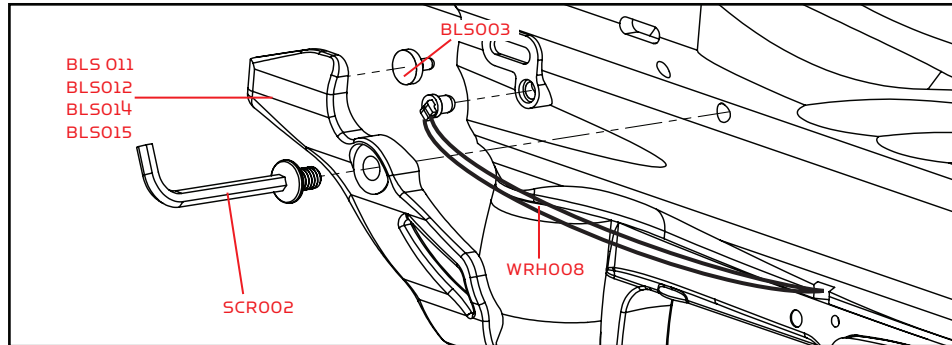
Dans l'éventualité où une bille serait coincée par la culasse et la bouteille, suivez cette procédure pour débloquer la bille. La chambre de la bille est située juste avant le canon en dessous de la descente de bille. Avant d'essayer de débloquer la bille vous devez porter votre masque de protection. Assurez vous d'avoir mis le lanceur en position off ou enclenché la sécurité. Démontez la bouteille de CO2 ou d'air comprimé, enlevez le chargeur de billes, et assurez vous qu'il ne reste plus de billes dans le lanceur. Dévissez le canon du lanceur pour permettre à la bille coincée de sortir. Tirez avec une force suffisante sur la goupille de réarmement vers l'arrière jusqu'à débloquer la culasse. Si vous n'arrivez toujours pas par ce moyen à décoincer la culasse, une autre méthode consiste à prendre une tige de nettoyage droite et rigide ou bien une tige en bois et pousser la culasse vers l'arrière en poussant avec la tige depuis l'avant du lanceur en faisant attention que la surface en contact avec le devant de la culasse soit plat pour ne pas endommager la culasse ou l'alésage du corps. Après avoir débloqué la culasse d'une manière ou d'une autre, nettoyez la chambre de la bille et la culasse si nécessaire pour assurer des performances optimales.

**IMPORTANT** : ne regardez jamais dans le canon que le lanceur soit chargé ou non.

Toujours démonter la source de gaz avant d'entreprendre le décoincage de la culasse.

**NOTE** : Ne jamais utiliser une tige en métal pour pousser la culasse, cela pourrait rayer le corps ou la culasse.

## YEUX ANTI CASSE DE BILLE



### Noms des pièces et référence décrits dans ce chapitre

- Eye Panel (#BLS011/BLS012/ BLS014/BLS015)
- Ball Stopper (#BLS003)
- Eye Panel Screw (#SCR002)
- Eye Wire Harness (#WRH008)

## YEUX ANTI CASSE DE BILLE

Les yeux préservent la bille d'être coupée par la culasse au moment où elle descend dans la chambre en n'autorisant le tir qu'une fois la bille logée dans la chambre prête à être tirée dans le canon. Les yeux transmettent un faisceau qui traverse la chambre. La carte électronique est pré-réglée d'origine et n'a besoin d'aucun ajustement. (si les yeux alors que le mode EYE est sur ON ne se voient pas, alors nettoyez les yeux)

**NOTE :** les yeux anti casse de bille réduisent considérablement le risque de casse de bille, cependant il est normal qu'il puisse arriver qu'une bille casse pour les meilleures performances possible.

## NETTOYEZ LES YEUX

Utilisez un "squeegee" ou un "swab" pour nettoyer la chambre de bille devrait être suffisant pour que les yeux arrivent à se détecter. Pour un nettoyage complet, utilisez la clef six pans fournie avec le lanceur et démontez le cache œil en dévissant la vis. Une fois démonté, tirez délicatement sur l'œil pour le faire sortir du corps afin de pouvoir le nettoyer avec un chiffon propre.

**IMPORTANT :** un nettoyage régulier aide à ne pas accumuler la peinture ou les poussières qui cause des mal fonctions sur l'œil. **NOTE :** toujours faire le démontage et le nettoyage de manière délicate pour ne pas endommager l'œil ou pincer les fils, ce qui entraînera une mal fonction de l'œil. Faites aussi attention de ne pas serrer la vis du cache œil trop fort afin de ne pas arracher le filetage. **NOTE :** au moment où vous retirez les caches œil, les anti-double feed peuvent être collé dessus et pourraient ainsi tomber, vérifiez donc que les anti-double feed restent en place quand vous démontez les caches œil.

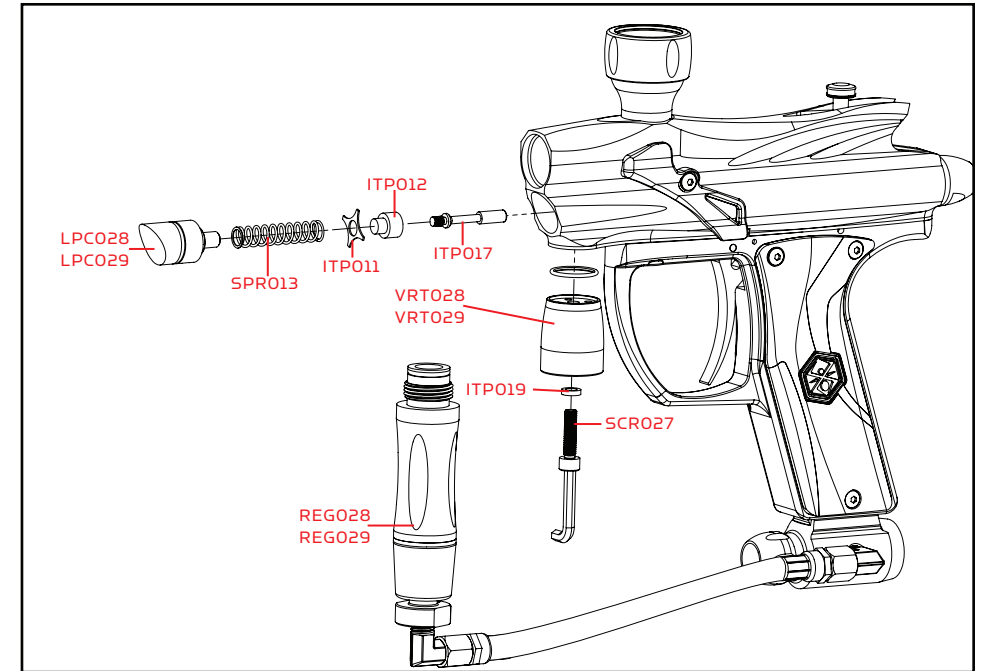
**ASTUCE :** notez comment les pièces sont assemblées avant le démontage pour un rassemblement plus facile. **IMPORTANT :** avant le démontage des caches œils, assurez vous avec un pique que le six pans de la tête de la vis n'est pas rempli de terre afin que l'outil puisse rentrer au fond de l'empreinte de manière à ne pas arrondir le six pans. **NOTE :** Maintenance cleaning of the Anti Chop Eyes should only be done if a paintball break in the breach has occurred and affected the detection of the paintballs. Removing the Delrin Bolt and pushing a swab type squeegee through the breach may be adequate in cleaning the Anti Chop Eyes. **NOTE :** Ne nettoyez les yeux que dans le cas où une bille aurait éclatée dans la descente de bille, et que les yeux ne fonctionnent plus, dans la plupart des cas, juste retirer la culasse et passer un coup de squeegee à l'intérieur suffit à nettoyer les yeux.

## CHANGEZ LES "ANTI DOUBLE FEED"

Si vous constatez que des billes roulent hors du canon, ce problème peut venir de deux choses, soit la bille est sous calibrée soit il manque un ou deux des anti-double feed (#BLS002), c'est en démontant le cache œil que vous accédez au anti-double feed. **ASTUCE :** notez comment les pièces sont assemblées avant le démontage pour un réassemblage plus facile

**IMPORTANT :** avant le démontage des caches œils, assurez vous avec un pique que le six pans de la tête de la vis ne soit pas rempli de terre afin que l'outil puisse rentrer au fond de l'empreinte de manière à ne pas arrondir le six pans. **NOTE :** attention de ne pas serrer la vis du cache œil trop fort afin de ne pas arracher le filetage. **NOTE :** la maintenance des anti double feed, n'est nécessaire que si il y a un véritable problème d'usure ou que les billes roulent hors du canon.

## DEMONTAGE DU "CUP SEAL"



### Noms des pièces et référence décrits dans ce chapitre

- Regulator (#REG028/REG029)
- Cup Seal Guide (#ITP012)
- Cup Seal (#ITP012)
- Valve Pin (#ITP017)
- M5x20 Vertical Washer (#ITP019)
- Front Plug (#LPC028/LPC029)
- Valve Spring (#SPR013)
- Vertical Adapter (#VRT028/VRT029)
- Vertical Adapter Mounting Screw (#SCR027)

## REMPACEMENT DU CUP SEAL ETAPE PAR ETAPE

**ETAPE 1 :** Devisser la poignée avant de l'adaptateur vertical.

**ETAPE 2 :** Devissez ensuite l'adaptateur vertical, en mettant votre pouce sur le bouchon de la chambre pour éviter que le bouchon soit éjecté par la tension du ressort.

**NOTE :** l'adaptateur vertical ainsi que le bouchon de la chambre sont tous les deux tenus par la même vis.

**ETAPE 3 :** tirez sur le bouchon et l'assemblage ressort de valve ainsi que le cup seal et le gup seal guide et le cup seal devraient sortir de manière solide

**ETAPE 4 :** dévissez le cup seal u cup seal pin et remplacez-le par un nouveau cup seal fourni dans le kit de réparation

**ETAPE 5 :** remontez les pièces dans l'ordre inverse où vous les avez démontées, et assurez vous que le taraudage du bouchon soit aligné avec la vis qui tient l'adaptateur vertical.

**IMPORTANT :** assurez vous toujours que aucune source de gaz soit branchée au lanceur, et que le lanceur ne soit plus du tout sous pression avant d'entreprendre n'importe quel démontage.

**NOTE :** le changement du cup seal n'est nécessaire que dans le cas où le lanceur fuit par le canon

## GUIDE DES PANNES

### PROBLÈMES DE RÉARMEMENT:

- Il faut graisser le joint torique (#ORG001). (Reportez vous au chapitre démontage / remontage et nettoyage des pièces internes)
- La pression de la bouteille est trop faible et a besoin d'être remplie.
- Le joint torique (#ORG001) de la pièce STRIKER est endommagé et a besoin d'être remplacé par un autre joint torique fourni dans le kit de réparation. Ce joint n'a pas de substitut, assurez vous d'utiliser le joint torique rouge fourni dans le kit de réparation.
- Une bille cassée dans la chambre de la culasse peut provoquer un ralentissement des pièces qui empêche le lanceur de réarmer, dans ce cas sortez la pièce BOLT et nettoyer l'alésage avec une tige de nettoyage, si le problème persiste, procédez a un nettoyage complet (Reportez vous au chapitre démontage / remontage et nettoyage des pièces internes)
- Utiliser des billes de mauvaise qualité peut causer également des problèmes de réarmement du a la forme de la bille.
- **AVERTISSEMENT** : les billes ont une duree de vie limitée , et peuvent devenir trop fragile a utiliser
- **AVERTISSEMENT** : les billes peuvent se déformer avec le temps , il est donc conseille de mesurer les billes avec la taille de son canon pour s assurer qu elle rentre sans trop forcer.

### PROBLÈMES ÉLECTRONIQUES

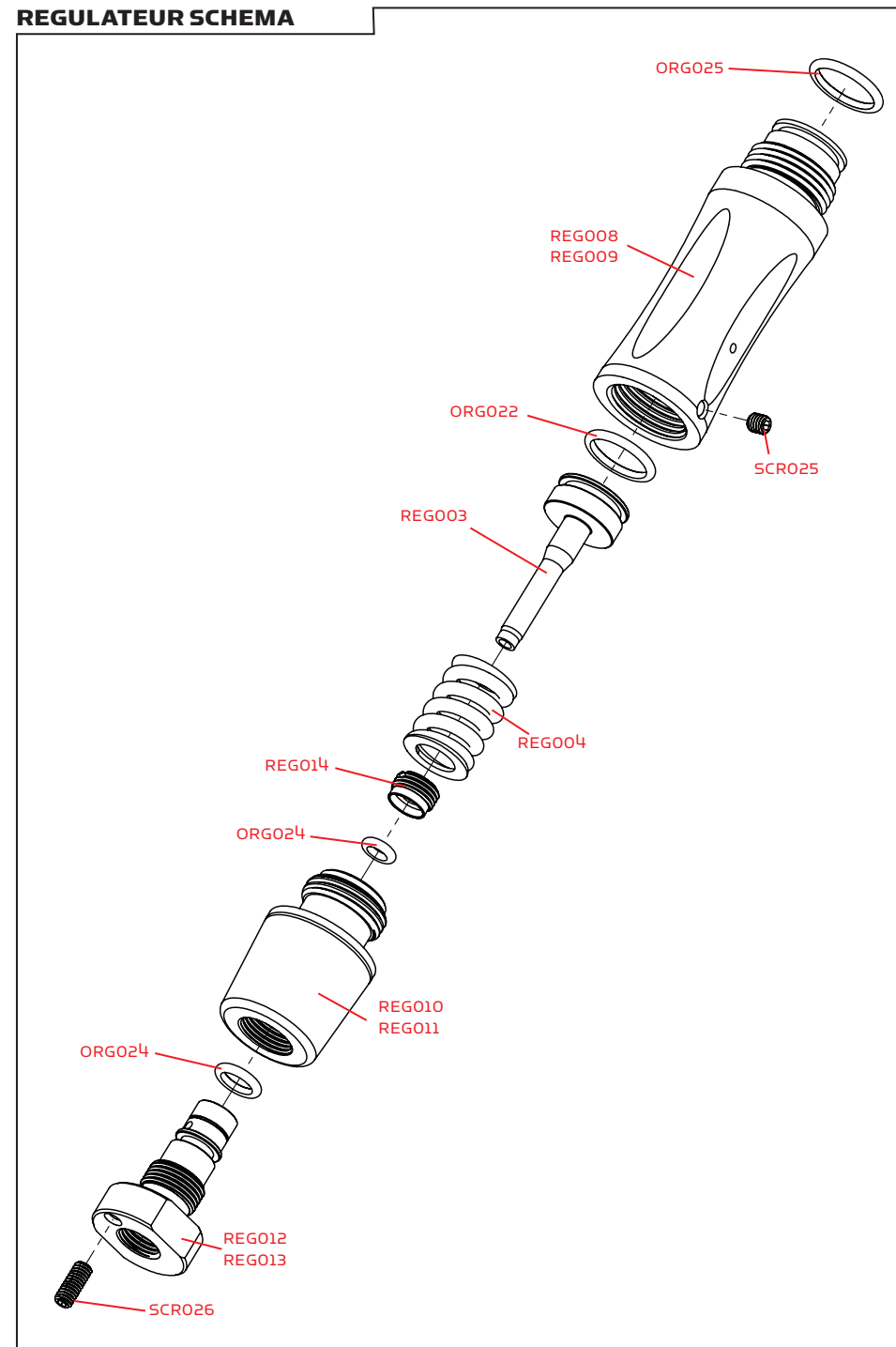
- Si votre lanceur ne tire pas ceci peut être du a un de ces problèmes.
- La pile a besoin d'être rechargée
- Un des connecteurs n est pas correctement branche à la carte électronique.
- **NOTE** : si les composants électroniques sont sales, Kingman recommande d'utiliser une bombe aérosol pour le nettoyage

### FUITE D'AIR

**IMPORTANT:** toujours démonter la bouteille du lanceur avant de démonter le lanceur.

- Fuite d'air au niveau de la chambre basse pression, le joint torique (ORG002) doit être changé.
- Fuite d'air de l'adaptateur vertical, le joint torique (ORG002) doit être changé.
- Fuite d'air au niveau du canon, la pièce cup seal (#ITPO12) doit être changée.
- Ne démontez jamais la pièce VALVE BODY (#ITPO18) si ce n'est pour une réparation spécifique.
- Des griffures présente sur la lèvre de la pièce VALVE BODY peut aussi causer des fuites par le canon , le cas échéant la pièce VALVE BODY doit être changée.
- Fuite d'air entre le corps du lanceur et la poignée indique que le joint torique de la valve est endommagé.
- Une fuite au niveau du flexible, assurez vous que chaque extrémité est bien serrée.
- **IMPORTANT:** Le pas de vis des flexibles sont métrique et ne peuvent pas se monter sur un filetage 1/8 NPT, un montage forcé peut endommager le pas de vis et devra être remplacé.
- **CONSEIL:** Pensez à regarder le schéma du lanceur pour vous aider a démonter et remonter le lanceur en vous assurant du positionnement de chaque pièces.

## REGULATEUR SCHEMA

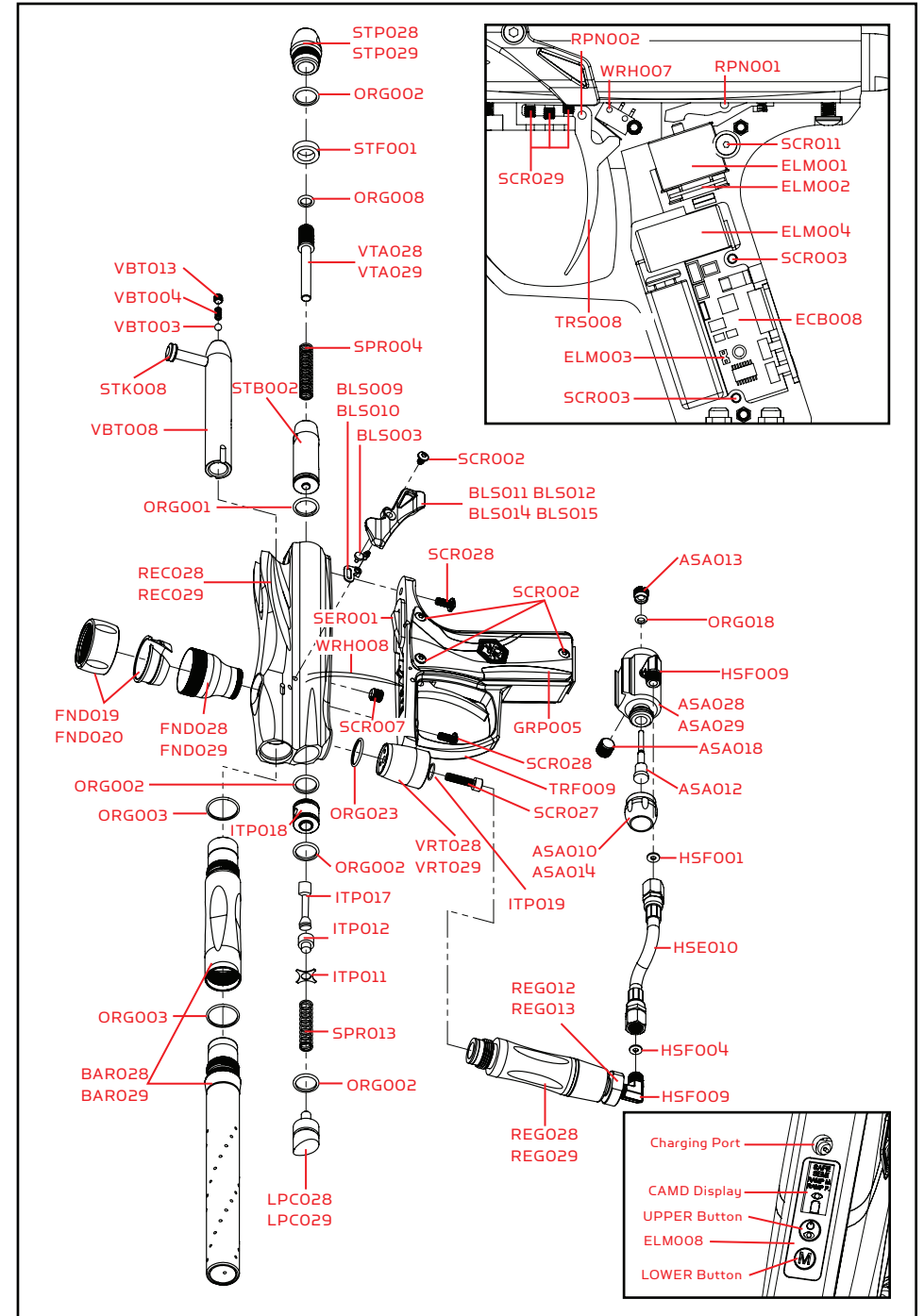


**LISTE DES PIECES DU ELECTRA with Eye**

ASA010	C/A On/Off Adapter Knob (polished black)	RECO29	Electra w/Eye Receiver (polished titanium)
ASA012	C/A On/Off Depressing Pin	REG003	Reg Piston
ASA013	C/A On/Off Retaining Screw	REG004	Reg Spring
ASA014	C/A On/Off Adapter Knob (polished titanium)	REG008	Reg Top Body (polished black)
ASA018	C/A On/Off 1/8 Hose Plug	REG009	Reg Top Body (polished titanium)
ASA028	C/A On/Off Adapter (polished black)	REG010	Reg Mid Body (polished black)
ASA029	C/A On/Off Adapter (polished titanium)	REG011	Reg Mid Body (polished titanium)
BAR028	12" 2PCS Barrel (polished black)	REG012	Reg Adjuster (polished black)
BAR029	12" 2PCS Barrel (polished titanium)	REG013	Reg Adjuster (polished titanium)
BLS003	Ball Stopper	REG014	Reg O-ring Housing (F)
BLS009	Ball Stopper / Eye Wire Insert - right (black)	REG028	Regulator (complete) (polished black)
BLS010	Ball Stopper / Eye Wire Insert - left (black)	REG029	Regulator (complete) (polished titanium)
BLS011	Aluminum Eye Panel - right (polished black)	RPN001	Sear Roll Pin
BLS012	Aluminum Eye Panel - left (polished black)	RPN002	Trigger/Touch Switch Roll Pin
BLS014	Aluminum Eye Panel - right (polished titanium)	SCR002	M4 x 8 Screw (A)
BLS015	Aluminum Eye Panel - left (polished titanium)	SCR003	Circuit Board Screw (+)
ECB008	LEAP™ Circuit Board	SCR007	M8 x 8 Valve Body Screw (A)
ELM001	Coil Set	SCR011	Coil Set Screw
ELM002	Coil Pin	SCR025	M4 x 4 Reg Screw (A)
ELM003	Tournament Lock Switch	SCR026	M4 x 10 Reg Adjuster Screw (A)
ELM004	Capacitor	SCR027	M5 x 20 Vertical Screw (A)
ELM008	LEAP™ Touch Switch Membrane	SCR028	M5 x 10 Trigger Frame Screw (A)
ELM009	CAMD Display Cover	SCR029	M4 x 6 Trigger Adjustment Screw (A)
FND019	Twist Clamp & C Clip Insert (polished black)	SER001	Sear
FND020	Twist Clamp & C Clip Insert (polished titanium)	SPR004	Striker Spring
FND028	Feed Neck (polished black)	SPR009	ESP Sear Spring
FND029	Feed Neck (polished titanium)	SPR013	Valve Spring
GRP005	Dual Texture Grip Panel (black)	STB002	Striker Bolt
HSE010	Disconnect Hose (female x female)	STF001	Striker Buffer
HSF004	Plastic Washer	STK008	Top Cocking Knob
HSF009	90d Male to Male Adapter (STD x MET)	STPO28	Striker Plug Threaded (polished black)
ITP011	Cup Seal Guide	STPO29	Striker Plug Threaded (polished titanium)
ITP012	Cup Seal	TRF009	Electronic Trigger Frame (M)
ITP017	Valve Pin (slim)	TR5008	Magnetic Saber Trigger (polished black)
ITP018	Valve Body (blind hole)	VBT003	Delrin Bolt Locking Bearing
ITP019	M5x20 Vertical Washer	VBT004	Delrin Bolt Locking Spring
LPC028	Front Plug (polished black)	VBT008	Delrin Bolt w/ Locking Knob
LPC029	Front Plug (polished titanium)	VBT013	Delrin Bolt Locking Screw
ORG001	Striker O-ring #14.3 1.7 60pu	VRT028	Vertical Adapter (polished black)
ORG002	O-ring #015 80	VRT029	Vertical Adapter (polished titanium)
ORG003	Barrel O-ring #22 1.5 80	VTA028	Velocity Adjuster & Spring Guide (polished black)
ORG008	O-ring #010 80	VTA029	Velocity Adjuster & Spring Guide (polished titanium)
ORG018	O-ring #08 80	WRH002	Battery Harness
ORG021	Reg Piston #14 70pu	WRH007	Touch Switch (3P)
ORG022	Reg Adjuster O-ring #11 80pu	WRH008	Eye Wire Harness
ORG023	Vertical O-ring #17 1.5 80		
ORG024	Piston Shaft O-ring #08 80pu		
*PAK005	Spare Parts Kit		
RECO28	Electra w/Eye Receiver (polished black)		

\* Item Not Pictured (+) Cross-head Screw (A) Allen-head Screw

**SCHEMA ECLATE DU ELECTRA with Eye**



## **GARANTÍA**

Kingman garantiza al comprador que este producto está libre de defectos materiales y operativos para su normal uso y servicio por el periodo de un año a partir de la fecha original de la compra. Cualquier Componente Electrónico en un marcador Spyder Electrónico está garantizado durante 6 meses a partir de la fecha original de la compra. Kingman se hace cargo de llevar a cabo las reparaciones o sustituciones de componentes de cualquier producto dentro de un período razonable del tiempo. Esta garantía no cubre tuercas u o-anillos, cup seals, baterías recargables, cargadores, rasguños, mellas, el desgaste normal de los componentes, modificaciones, la decoloración normal o el daño causado por golpes. Esta garantía no se aplicará si un Técnico de Kingman demuestra que el consumidor causó el defecto o el funcionamiento defectuoso debido al mal uso. Esta garantía sólo cubre componentes originales de fábrica. Cualquier modificación de los componentes originales de fábrica ANULARÁ tanto la garantía como las responsabilidades de Kingman. Cualquier daño causado por el echar agua no será cubierto por la garantía. La reparación de garantía sólo puede ser llevada a cabo por un técnico de Kingman o autorizado por Kingman. Para que la garantía sea aplicable, el consumidor debe aportar la tarjeta de registro de garantía rellena, junto con una copia del recibo de compra. Las marcadoras de Paintball no son reintegrables. Esta garantía no cubrirá elección, embarque, entrega, y/o llamadas de casa. Si el producto necesita ser reparado, el cliente es el responsable del embalado del producto y de los gastos de envío a Kingman. Incluya una nota con su nombre, dirección, número de teléfono y una breve descripción del problema a:

### **KINGMAN GROUP**

Attn: Tech Department  
14010 Live Oak Avenue  
Baldwin Park, CA 91706 U.S.A.  
[www.kingman.com](http://www.kingman.com)

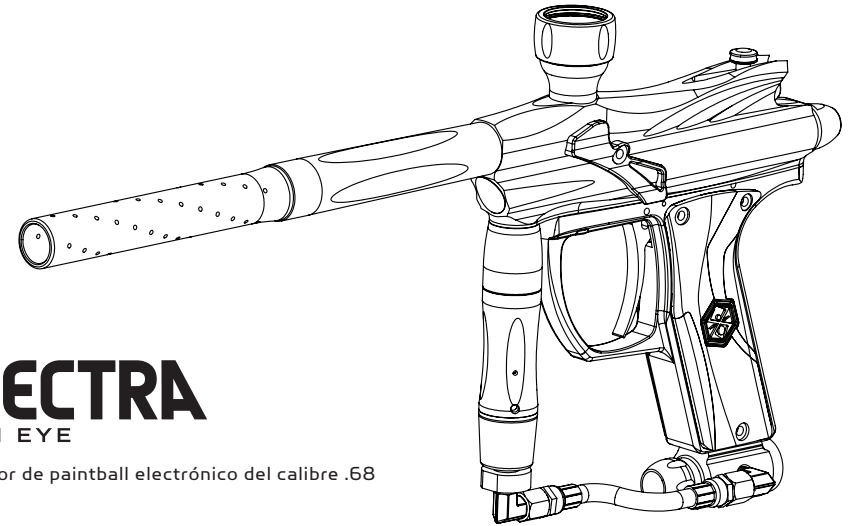
Registro de garantía también disponible en [www.spyder.tv](http://www.spyder.tv)

### **PARA APOYO TÉCNICO**

Nuestro Departamento de Apoyo Técnico está abierto de lunes a viernes, de 8:00 a 17:00 (horario de Los Ángeles), teléfono: (626) 430-2300 Fax: (626) 851-8530

[www.spyder.tv](http://www.spyder.tv)

PASSION FOR PAINTBALL™



# ELECTRA

WITH EYE

Marcador de paintball electrónico del calibre .68


## TABLA DE CONTENIDOS

DIRECTRICES IMPORTANTES DE SEGURIDAD	45
GUÍA DE USO/ INICIO	46
ADVERTENCIAS DEL TANQUE DE CO2 /AIRE COMPRIMIDO	47
INSTALACION DEL TANQUE DE CO2 / AIRE COMPRIMIDO	48
USO APROPIADO DEL DISPOSITIVO DE BLOQUEO DEL CAÑÓN	48
INSTALACIÓN DE LA BATERÍA / CARGA / INTERRUPTOR DE CIERRE ELECTRÓNICA Y AJUSTES	49-50
AJUSTES DE LA LEAP CIRCUIT BOARD CON CAMD	51
AJUSTE DEL GATILLO	52
AJUSTE DE VELOCIDAD	52
C/A ON/OFF ADAPTADOR	53
AJUSTE DEL REGULADOR	53-54
DESMONTAJE / MONTAJE Y LIMPIEZA DE COMPONENTES TRASEROS	55-56
CONGESTIÓN DEL PAINTBALL	56
ANTI CORTE EN LOS OJOS / CAMBIO DE LOS BALL STOPPERS	57
RETIRADA DEL CUP SEAL	58
SOLUCIONES / AGUJEROS DE AIRE	59
REGULADOR ESQUEMÁTICO	60
DE PIEZAS ELECTRA W/EYE	61
ELECTRA W/EYE ESQUEMÁTICO	62
CONDICIONES DE GARANTÍA	63




## DIRECTRICES IMPORTANTES DE SEGURIDAD

### ADVERTENCIA

-  Este Marcador de paintball no es un juguete. Puede causar heridas de gravedad o incluso la muerte. Kingman recomienda que el cliente sea mayor de edad (al menos 18 años) para comprar este producto.
- Es importante leer este manual así como las advertencias sobre el tanque de aire antes de usar este producto.
- Cualquier modificación o manipulación de los componentes originales de fábrica suprimirán todas las garantías y responsabilidades de Kingman.
- Kingman recomienda el uso de un dispositivo que bloquee el cañón cuando el marcador no está en uso.
- Para ajustar de forma apropiada de la velocidad (Pies Por Segundo), Kingman recomienda el uso de un cronógrafo disponible en la mayoría de establecimientos especializados en paintball así como en los campos de paintball.
- Antes y después del uso del marcador, asegúrese de que todos los tornillos están bien fijados. Los tornillos pueden aflojarse o soltarse debido a la vibración. Los tornillos sueltos pueden ser peligrosos y causar lesiones.
- Kingman RECOMIENDA que cualquier persona que use este producto o se encuentre cerca de este producto mientras está en uso haga uso de la máscara PROTECTORA DE OJO/CARA diseñada expresamente para el deporte de paintball. Esta recomendación se extiende a la realización del mantenimiento del marcador y durante ejercicios con objetivos.
- Kingman recuerda que el usuario ES EL ÚNICO RESPONSABLE de proteger sus ojos/cara y no se hace responsable de cualquier lesión que se produzca como consecuencia de prescindir de alguna de las medidas de seguridad que en este manual se recomienda.
- Nunca dispare o apunte su marcador hacia una persona que no está en una instalación destinada a la práctica del paintball o que no lleve la protección apropiada de OJO/ CARA.
- Trate cada marcador de paintball como si estuviese cargada.
- Nunca mire por el cañón de un marcador cargada o descargada.
- Mientras el marcador no esté en uso manténgase siempre en el modo "SAFE" u "OFF".
- Extraer siempre el gas y todas las bolas de pintura antes de desmontaje.
- Este producto es sólo apto para calibres de 0.68 de marcadoras paintball.
- Asegúrese de que el marcador está siempre en la posición de disparo sencillo cuando no está en uso.
- La utilización de marcadoras de paintball fuera un recinto designado para la práctica del paintball puede ser ilegal, y es susceptible de acarrear consecuencias penales si el usuario provoca algún daño, ya sea físico o material.
- Nunca dispare o apunte su marcador hacia un animal.
- Si el marcador cambia de propietario asegúrese de que el nuevo propietario reciba este manual.

## GUÍA DE USO / INICIO

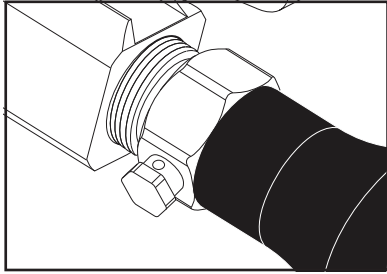
 **ADVERTENCIA:** Mantenga siempre marcador en el modo "SAFE" o "OFF" hasta que usted esté listo para disparar.

1. Ate siempre un dispositivo que bloquee el cañón (o chupete) en el extremo del cañón como medida de seguridad mientras no esté usando el marcador.
2. Instale y recargue la batería (Ver Carga Batería / Instalación)
3. Sujete el Tanque de CO<sub>2</sub> / Aire Comprimido al adaptador C/A On/Off con las manos solamente. **CONSEJO:** Asegúrese de que el Tanque de CO<sub>2</sub> / Aire Comprimido está lleno antes de incorporarlo a marcador. Aprieta el tanque con las manos a la derecha en el adaptador del marcador C/A On/Off hasta que sea apretada. Si se produjese un agujero de aire ocurre entre el Tanque de CO<sub>2</sub> y el adaptador C/A On/Off sustituya la arandela. **NOTA:** las arandelas proporcionadas con el equipo no son para utilizarlas con el Tanque de CO<sub>2</sub> / Aire Comprimido. **IMPORTANTE:** nunca use ningún instrumento casero para sujetar el Tanque de CO<sub>2</sub> / Aire Comprimido al adaptador C/A On/Off.
4. Incorpore un cargador electrónico en el cuello Feed Neck. Gírelo en sentido contrario al de las agujas del reloj para liberar el cargador. Use exclusivamente cargadores de paintball de calibres 0,68. **NOTA:** Kingman recomienda el uso de un Tanque de fuerza / cargador de alta velocidad electrónico para optimizar su rendimiento.
5. Sitúe el botón de Power en On para activar el dispositivo de disparo electrónico. (Ver Ajustes de las LEAP Circuit Board con CAMD)
6. Amartilleo del Marcador. Tire del Top Cocking Knob hacia atrás hasta que el perno del Delrin trabe. **PRECAUCIÓN:** Si tú suelte el Top Cocking Knob antes de que se trabe, tu marcador puede disparar.
7. Quite el dispositivo de bloqueo del cañón. **PRECAUCIÓN:** Si el seguro no está activado, su marcador estaría listo para disparar. **PRECAUCIÓN:** con el interruptor en modo ON, el marcador estará listo para disparar. El accionamiento del gatillo provocará el disparo de un paintball. **IMPORTANTE:** ÚNICAMENTE pruebe su marcador en una dirección segura o en un campo específico para ello.
8. Control de velocidad (fps). Manipulando el controlador de velocidad o spring guide aumentará/disminuirá la velocidad (fps). **NOTA:** Esta marcador está equipada con un disco Regulador que puede ajustar la presión. (Ver el Ajuste del regulador / Mantenimiento) **NOTA:** Su marcador ha de ser usada en una instalación de paintball con la protección paintball apropiada. **IMPORTANTE:** Kingman recomienda la utilización de un cronógrafo para asegurar que la velocidad está por debajo de bajo 300 (fps).
9. Cuando haya terminado de usar marcador, vacíe el cargador. **PRECAUCIÓN:** puede quedar uno o mas paintballs en el cañón de marcador; dispare un par de veces en una dirección segura para asegurarse de que el cañón y la recámara están vacíos.
10. Coloque el dispositivo que tapona el cañón en el extremo del mismo. Esto evitará cualquier incidente que pudiese provocar un disparo casual o no deseado.
11. Kingman recomienda mantener marcador en la posición "SAFE" o "OFF" después de su uso.
12. Desatornille el Tanque de CO<sub>2</sub> de Aire Comprimido del adaptador C/A On/Off de marcador. **PRECAUCIÓN:** Nunca se exponga a un contacto directo al adaptador C/A On/Off. Ello podría provocar quemaduras en la piel. **IMPORTANTE:** nunca utilice usar ningún instrumento no previsto para ello para separar el Tanque de CO<sub>2</sub> de Aire Comprimido.
13. Guarde marcador en un bolso de paintball o en un lugar seguro. **ADVERTENCIA:** Antes y después del uso de marcador, asegúrese para de que todos los tornillos están bien sujetos. Los tornillos pueden aflojarse o incluso soltarse como consecuencia de la vibración. Los tornillos sueltos pueden ser peligrosos y causar lesiones. **CONSEJO:** se recomienda lubricar marcador antes y después de cada uso, sobre todo cuando se vaya a almacenar marcador durante un amplio período de tiempo. Añada unas gotas de aceite específico de paintball sobre la arandela o Striker O-ring (#ORG001) (ver la Guía Desmontaje / Montaje). Antes de almacenar marcador, asegúrese de que marcador está en la posición de no amartillado. Esto ayudará al muelle principal a mantener su tensión.

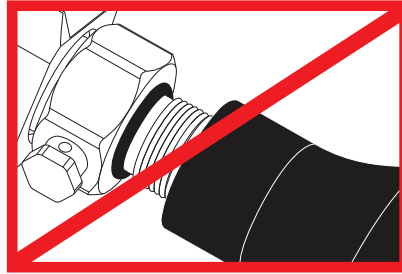
### IMPORTANTE

- La velocidad de disparo puede variar según las condiciones climáticas y la altitud.
- Antes de usar su marcador, realice "una PRUEBA DE VELOCIDAD SEGURA". Este sólo puede ser llevado a cabo usando un dispositivo de pruebas llamado "Cronógrafo de Velocidad" que encontrará en tiendas especializadas o en campos de paintball. **NOTA:** se recomienda no usar una velocidad superior a 300 pies por segundo (fps). Este producto no es intentado para disparar a ninguna persona menos de 25 pies sin protección de OJO/CARA.
- Puede quedar gas en el marcador después que retire el Tanque de CO<sub>2</sub> /de Aire Comprimido. Por favor retire todos los paintballs y asegúrese que el marcador está totalmente descargado de gas.
- Nunca almacenar un tanque del CO<sub>2</sub> / Aire Comprimido atado en el marcador mientras que no está supervisado.

## ADVERTENCIAS DEL TANQUE DE CO2 / DE AIRE COMPRIMIDO



**SAFE**



**WARNING: UNSAFE**



**DANGER**



El CO2 o Tanque de Aire Comprimido puede salir expulsado con bastante fuerza provocando graves lesiones o incluso la muerte si la Válvula no está bien atornillada a la culata. Asegúrese que la válvula gira con el cilindro en vez de permanecer inmóvil. CESE de disparar si la Válvula del Tanque comienza a desatornillarse del cilindro. En caso de duda, atornille el cilindro y póngase en contacto con personal cualificado.

## ADVERTENCIAS DEL TANQUE DE CO2 / DE AIRE COMPRIMIDO

- Las válvulas deben ser manipuladas por personal calificado.
- Este pendiente de las fechas de control de mantenimiento del Tanque de CO2 / Aire Comprimidas indicadas en las etiquetas adheridas al mismo. Los depósitos de los cilindros deben ser revisados periódicamente.
- El uso inadecuado, el relleno, almacenaje o disposición de todos los cilindros de aire puede causar daños personales y/o materiales.
- Mantenga los cilindros fuera del alcance de niños y/o cualquier persona inexperta.
- Los cilindros de aire sólo podrán ser manipulados por personal cualificado de acuerdo con lo establecido en los Folletos CGA P.1 y G-6.3. Dichos folletos están disponibles en la web de la Asociación de Aire Comprimido: [www.CGANET.com](http://www.CGANET.com).
- Nunca manipule el cilindro sin criterio alguno.
- No exponga los cilindros presurizados a temperaturas superiores a 130°F (54°C).
- Cilindros que alcancen temperaturas excesivas superiores a los 250°F (121°C) deben ser revisados de acuerdo con la prueba definida en el CFR-49.
- La válvula NUNCA debe ser separada del tubo. Si esto se produjese, por favor busque recibir soporte de personal cualificado.
- Todo depósito de CO2 que venga con el producto ha de ser utilizado únicamente para el uso del paintball.
- Asegúrese de que existe una arandela o un O-ring junto a la válvula del Tanque de CO2 /de Aire Comprimido antes de incorporar el Tanque a marcador. Se escapará el aire comprimido si falla la arandela u O-ring de la válvula.
- Un O-ring del uretano es recomendado antes de atar cualquier fuente de aire al marcador.
- NUNCA presurizar un cilindro de CO2 /de Aire Comprimido.
- Evite cualquier exposición directa de la piel al gas que se escapa a la hora de instalar o retirar el Tanque de aire comprimido.
- Nunca exponer los cilindros a materiales corrosivos de limpieza.

## LA INSTALACIÓN DEL TANQUE DE CO2 /DE AIRE COMPRIMIDO

Ajuste firmemente con la mano el tanque de aire comprimido / CO2 en el sentido de las agujas del reloj al adaptador C/A On/Off del marcador. **CONSEJO:** Antes de instalar un Tanque de CO2 /de Aire Comprimido, asegúrese que el depósito esté lleno.

**IMPORTANTE:** Nunca utilice ningún instrumento no apto para ello para enganchar el Tanque de CO2 /de Aire Comprimido al adaptador C/A On/Off.

## RETIRAR EL TANQUE DE CO2 DE AIRE COMPRIMIDO

Agarrando con firmeza el tanque de aire comprimido / CO2, retire el cilindro haciéndolo girar con la mano en el sentido contrario a las agujas del reloj hasta que se desprenda del adaptador C/A On/Off. **CONSEJO:** Después de usar marcador, quite el Tanque de CO2 /de Aire Comprimido antes del almacenaje. Cuando el tanque está siendo quitado, el aire de exceso liberará del C/A On/Off adaptador. **PRECAUCIÓN:** Nunca se exponga a cualquier tipo de contacto directo al agujero de evacuación del adaptador C/A On/Off al retirar el Tanque de gas. De lo contrario podría sufrir quemaduras en la piel provocadas por el gas liberado.

**IMPORTANTE:** Nunca use ningún instrumento casero para separar el Tanque de CO2/ de Aire Comprimido del adaptador C/A On/Off. Si no puede retirar el Tanque a mano por favor póngase en contacto con personal especializado.

## USO APROPIADO DEL DISPOSITIVO DE BLOQUEO DEL CAÑÓN

El dispositivo de bloqueo del cañón BBD o "chupete" es un componente esencial de seguridad activa de su paintball. Este dispositivo ha sido diseñado para evitar que ningún paintball sea proyectado por casualidad. El uso impropio del dispositivo de bloqueo del cañón lo hará inútil.

### Barrel Sock/Bag Type Device

Coloque El dispositivo de bloqueo del cañón en el extremo del cañón y ate la cuerda elástica alrededor de la parte trasera de su marcador. Ajuste la longitud de la cuerda elástica de manera que el dispositivo de bloqueo del cañón se pueda acoplar de forma adecuada al extremo del cañón. **NOTA:** Si la cuerda elástica es demasiado larga haga un par de nudos alrededor de la cuerda para acortar su longitud.

### Barrel Plug Type Device

Inserte su enchufe de cañón a la extremidad del cañón antes de cargar su marcador y antes de poner el tanque en el marcador.

Asegúrese que el dispositivo de bloqueo del cañón encaja bien en el cañón con muy resistencia El enchufe no debería ser fácil a quitarlo y siempre verificar los O-rings si no son defectuosas. Quite el dispositivo de bloqueo del cañón sólo cuando usted se prepara a comenzar el juego o ha sido instruido de hacer así por un funcionario de seguridad.

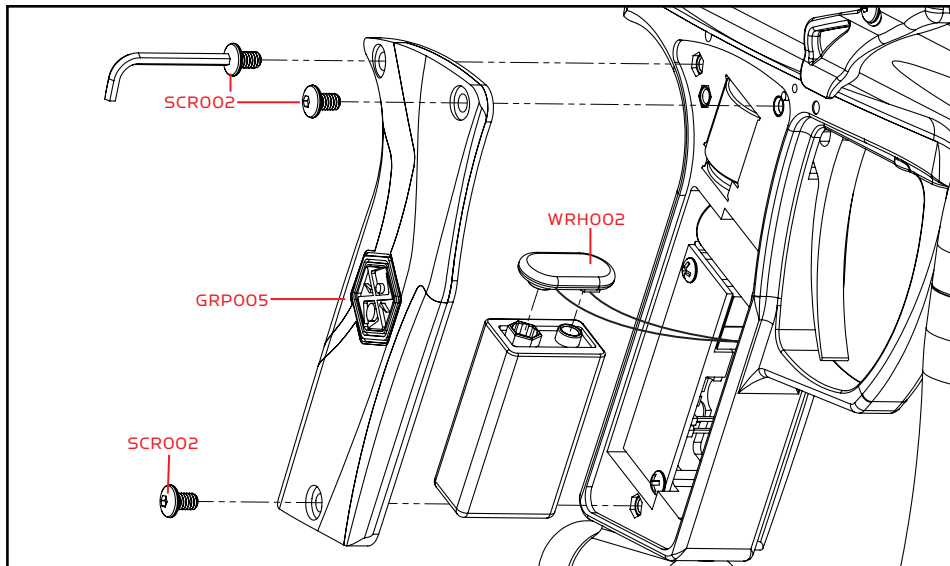
Siempre guarde su dispositivo de bloqueo del cañón en su marcador después de que usted ha terminado de jugar. Guárdelo en el lugar hasta después de que usted ha vaciado todo paintballs y ha quitado su tanque de aire de su marcador de paintball.

### ADVERTENCIA:

Inspeccione su dispositivo de bloqueo del cañón con regularidad para cualquier rasgón si es llevado puesto, sustitúyalo inmediatamente.

Siempre coloque su dispositivo de bloqueo del cañón en el lugar en su cañón del marcador para asegurar la seguridad y prevenir accidentes que pueden causar la herida permanente o hasta muerte.

## INSTALACIÓN DE LA BATERÍA



Nombres y números de partes descritos en esta selección:

Dual Texture Grip Panel (#GRPO05)

M4 x 8 Screw (A) (#SCRO02)

Battery Harness (#WRHO02)

## INSTALACIÓN DE LA BATERÍA

**NOTA:** Este marcador es compatible con la utilización de baterías alcalinas de 9 voltios. Utilice tan sólo baterías alcalinas de marcas especiales para obtener un mejor resultado. (Batería no incluida).

El cálculo de disparos varía dependiendo del tipo de batería alcalina de 9 voltios utilizado (2300 a 3200). La elección de baterías especiales siempre ofrece un mejor resultado.

Kingman Group recomienda la batería recargable Spyder de 9.6 voltios NiMH como fuente de energía para un óptimo resultado y hará posible obtener un número de disparos superior de aproximadamente 5000 a 6000 tiros. (Batería y Cargador Spyder se venden por separado).

**IMPORTANTE:** el rendimiento varía dependiendo del modo utilizado y el índice de disparo alcanzado.

**PASO 1** Retire los tres tornillos M4x8 del grip panel del lado derecho. **NOTA:** Allen Wrench provisto en equipo de partes.

**PASO 2** Sujete la batería al mazo de la batería (battery harness)

**PASO 3** Reajuste los tres tornillos M4x8.

**CONSEJO:** anote la manera en la que se han retirado las partes para su fácil re ensamblaje.

## INSTRUCCIONES DE CARGA

### Batería Spyder de 9.6 voltios (US LED) accesorio opcional.

Para cargar una batería Spyder de 9.6 voltios NiMH, la tarjeta de circuitos debe encontrarse en la posición OFF. Las baterías Spyder (JE1015) no se encuentran totalmente cargadas en el momento de la compra. Si se utiliza el cargador suministrado Spyder LED A/C (JE1029), conecte el cargador al puerto de carga ubicado en la parte trasera del marco del gatillo. Para conseguir una carga completa, Kingman recomienda un tiempo de carga de 6 a 8 horas.

**PASO 1** Conecte el cargador Spyder LED A/C a una toma de corriente.

**PASO 2** Conecte el cable del cargador Spyder A/C al reverso del marco donde se encuentra el gatillo de marcador.

**PASO 3** El indicador LED del cargador Spyder LED A/C permanecerá en ROJO cuando la batería esté cargándose.

**PASO 4** El indicador LED del cargador Spyder LED A/C permanecerá en VERDE cuando la batería esté totalmente cargada.

**PASO 5** Desconecte el cable del cargador Spyder LED A/C de la parte trasera del marco donde se encuentra el gatillo de marcador.

**PASO 6** Retire el cargador Spyder LED A/C de la toma de corriente.

**IMPORTANTE:** se recomienda no cargar nunca la batería durante más de 24 horas dado que dicha batería y/o su parte electrónica pueden sufrir daños.

**CONSEJO:** se recomienda cargar la batería antes de su uso para garantizar un máximo rendimiento, especialmente si la batería no ha sido utilizada en más de una semana.

**NOTA:** una batería Spyder completamente cargada tendrá una duración de aproximadamente 5000-6000 disparos, dependiendo en los métodos o modo de disparo que se utilice. En condiciones de carga y uso normales, la vida estimada de la batería Spyder es aproximadamente 700-1000 ciclos de carga.

Para evitar cualquier riesgo en cuanto a explosión de la batería o incendio de la tarjeta de circuitos: proceda a cargar tan sólo las baterías Spyder de 9.6 voltios NiMH en cuadros electrónicos Spyder.

### IMPORTANTE

- **NO** intente recargar ningún tipo de batería alcalina u otro tipo de batería en un cuadro electrónico Spyder.
- **NO** intente recargar baterías que se encuentren oxidadas, corroídas, dañadas o que presenten pérdidas.
- **SI NO SE SIGUEN** las instrucciones especificadas, **SE ANULA TODA GARANTÍA Y RESPONSABILIDAD** por parte de Kingman.

Kingman no se responsabiliza de lesiones o daños causados por el uso inadecuado de este producto. Este accesorio no está destinado para utilizarse con otro producto diferente al que le ha designado Kingman.

## INSTRUCCIONES DE CARGA

### Batería Spyder de 9.6 voltios (EU) accesorio opcional

Para cargar una batería Spyder NiMH 9.6, la tarjeta de circuitos debe encontrarse en la posición OFF. Las baterías Spyder (JE1015) no se encuentran completamente cargadas en el momento de la compra. Si se utiliza el cargador suministrado Spyder LED A/C (JE1029), conecte el cargador al puerto de carga ubicado en la parte trasera del marco del gatillo. Para conseguir una carga completa, Kingman recomienda un tiempo de carga de **6 a 8 horas**.

**IMPORTANTE:** se recomienda no cargar nunca la batería durante más de 24 horas dado que dicha batería y/o su parte electrónica pueden sufrir daños.

**CONSEJO:** se recomienda cargar la batería antes de su uso para garantizar un máximo rendimiento, especialmente si la batería no ha sido utilizada en más de una semana.

**NOTA:** una batería Spyder completamente cargada tendrá una duración de aproximadamente 5000-6000 disparos, dependiendo en los métodos o modo de disparo que se utilice. En condiciones de carga y uso normales, la vida estimada de la batería Spyder es aproximadamente 700-1000 ciclos de carga.

Para evitar cualquier riesgo en cuanto a explosión de la batería o incendio de la tarjeta de circuitos: proceda a cargar tan sólo las baterías Spyder de 9.6 voltios NiMH en cuadros electrónicos Spyder.

### IMPORTANTE

- **NO** intente recargar ningún tipo de batería alcalina u otro tipo de batería en un cuadro electrónico Spyder.
- **NO** intente recargar baterías que se encuentren oxidadas, corroídas, dañadas o que presenten pérdidas.
- **SI NO SE SIGUEN** las instrucciones especificadas, **SE ANULA TODA GARANTÍA Y RESPONSABILIDAD** por parte de Kingman.

Kingman no se responsabiliza de lesiones o daños causados por el uso inadecuado de este producto. Este accesorio no está destinado para utilizarse con otro producto diferente al que le ha designado Kingman.


## AJUSTES DE LA LEAP™ CIRCUIT BOARD CON CAMD

**SAFE** - LED rojo

**SEMI** - LED verde

**RAMP P** - LED azul (PSP Ramp) 13 bolas por segundo

**RAMP M** - LED azul (Millennium Ramp) 12 bolas por segundo

**EYE**  - LED naranja (LED ON = Modo "Ojos" ON, LED OFF = Modo "Ojos" OFF)

**BATTERY**  - LED Amarillo (LED Sólido = Bueno, LED Intermitente = Bajo)

### 2 Operaciones De Botones De Acceso

Presione y suelte el botón superior "Power/Eye" para prender el marcador. El CAMD mostrará el indicador rojo "Seguro" en posición "ON", significa que el marcador se encuentra en el modo de seguridad y no permitirá que el marcador dispare. El modo del disparo del marcador defecto es semi automatico y el indicador Verde "Semi" será exhibido como el modo del disparo del marcador.

Para apagarse el modo seguro "OFF" presione y suelte el botón inferior y el indicador rojo "SAFE" se apagará, El Marcador ahora esta capaz de disparar en modo Semi automatico. Para volver la seguridad "ON" presione y suelte el botón inferior otra vez.

Para colocar en posición "OFF", presione y mantenga presionado el botón "Power/Eye" hasta que el indicador CAMD LED se apaga completamente.

### Modos De Cambio

Para cambiar el modo de disparo, presione y mantenga presionado el botón inferior hasta que el indicador de modo de disparo del CAMD comienza a parpadear. Mientras el indicador parpadea, presione y suelte el botón inferior para desplazar a través del ajuste del modo deseado. Cuando se ha seleccionado el modo de disparo deseado, presione y mantenga presionado el botón inferior hasta que el indicador pare de parpadear. El marcador operará ahora en el modo de disparo que ha sido seleccionado, el indicador rojo de "Seguro" quedara prendido. Para apagarse el seguro "OFF" presione y suelte el botón inferior y el indicador rojo "SAFE" se apagará, El Marcador ahora esta capaz de disparar en el modo seleccionado. **NOTA:** Cuando el corriente está cortado "Off" el modo del disparo será defecto de vuelta a Semi Automatico si el Bloqueo del modo disparo no esta en uso. (Refiere sección del Bloqueo del Modo Disparo)

**IMPORTANTE:** la seguridad puede estar permitida en cualquier modo presionando y soltando el botón inferior de "Modo", el indicador rojo LED "Seguro" se encenderá y mantendrá al marcador fuera del disparo accidental mientras que nos encontremos en la posición "ON".

### Bloqueo Del Modo Disparo

Para bloquear las operaciones del marcador en el modo "Semi-Auto", retirar el interruptor de bloqueo de la tarjeta de circuitos mientras que el botón "Power" se encuentre en posición "OFF". Esta operación omitirá la operación del marcador y disparará solamente en modo "Semi-Auto".

Para bloquear la operación en el modo Ramp P (PSP), coloque el marcador "Power" en posición "ON", seleccione Ramp P en el indicador CAMD, retire el interruptor de bloqueo de torneo de la tarjeta de circuitos para bloquear en el modo Ramp P. **NOTA:** Siguiendo los mismos pasos en la selección del modo Ramp P, será posible bloquear la operación del marcador en el modo Ramp M (Millennium).

### Operación (Anti Chop Eye)

Para apagar el "ojo", presione y suelte el botón superior "Power/Eye", el indicador de Ojo "naranja" se apagará indicando que los "ojos" están en posición "Off".

**NOTA:** Esta opción es útil si necesita realizar ciclos al marcador sin paintballs para un disparo libre.

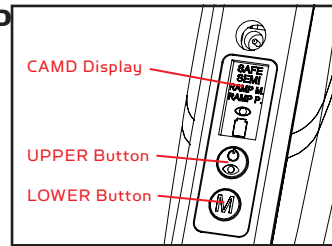
Para volver a la posición "On" de los "ojos", presione y suelte el botón superior "Power/Eye" de nuevo y el indicador de "ojo" volverá a iluminarse indicando que los "ojos" se encuentran en posición "On".

**NOTA:** Es probable que el modo "Semi-Auto" sea el único modo de disparo permitido en su país. Compruebe este aspecto con sus agentes locales. Por ejemplo, algunos países europeos, Australia y Nueva Zelanda tienen permitido solamente el uso en "Semi-Auto".

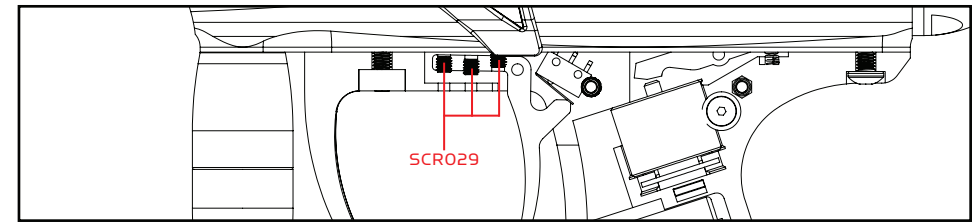
**NOTA:** Edición Europea "Solamente Modo "Semi-Auto"" ("Semi-Auto Mode Only").

### ADVERTENCIA

- Las marcadoras electrónicas Spyder no son resistentes al agua.
- La humedad Extrema puede dañar seriamente cualquier marcador electrónicos Spyder.
- Mantener siempre limpia la parte electrónica de marcador.
- Nunca intente manipular los circuitos electrónicos, de lo contrario la garantía no cubrirá cualquier avería.



## AJUSTE DEL GATILLO



### Respuesta Magnética "Saber" Trigger

Existen 3 tornillos sin tuerca de regulación que permiten el ajuste para el tiro del gatillo, la actuación del microinterruptor, un limitador de desplazamiento de puesto y la resistencia de respuesta magnética.

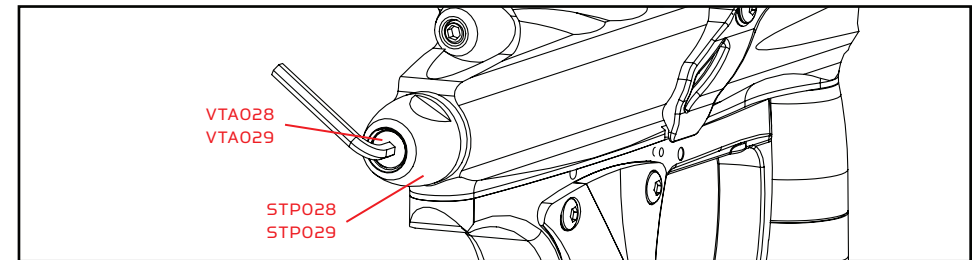
El primer tornillo sin tuerca del microinterruptor es para ajustar la cantidad de fuerza de resistencia que el dispositivo magnético ejerce en el gatillo. El ajuste interior de dicho tornillo aumentará la resistencia y exterior la reducirá para un tiro más suave del gatillo.

El tornillo sin tuerca del medio es para ajustar la distancia entre el gatillo y el microinterruptor. El ajuste del tornillo sin tuerca interior acercará la actuación del gatillo ofreciendo al gatillo un tiro del gatillo más corto.

**CONSEJO:** recuerde no sobreajustar el tornillo sin tuerca porque es probable que tenga el gatillo descansando contra el microinterruptor y no permita al microinterruptor reajustarse para el siguiente tiro de gatillo.

El tercer tornillo sin tuerca más próximo al microinterruptor es para el post travel del gatillo. Se debe parar el gatillo después de un movimiento de vuelta posterior tras haber activado al microinterruptor.

### AJUSTE DE VELOCIDAD AUMENTO/ DISMINUCIÓN



Para AUMENTAR la velocidad FPS (Pies Por Segundo) es necesaria utilizar de la Llave Allen girando el controlador de velocidad / Spring Guide a la derecha.

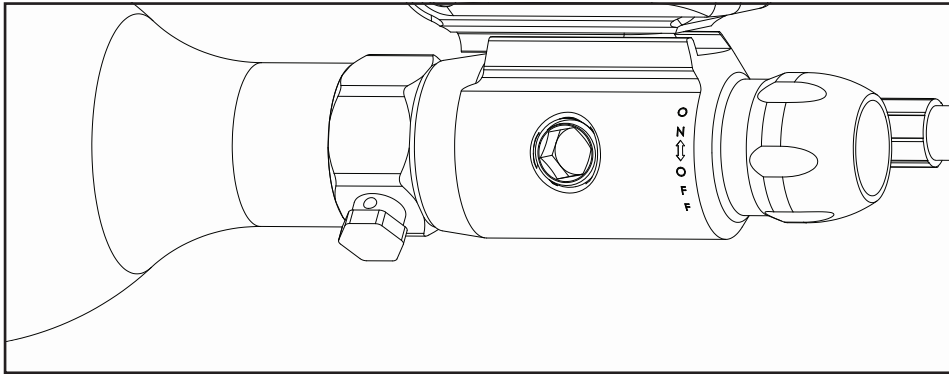
Para DISMINUIR su velocidad FPS (Pies Por Segundo) es necesaria utilizar de la Llave Allen girando el controlador de velocidad / Spring Guide en sentido contrario a la derecha.

**NOTA:** Allen Wrench provído en equipo de partes. **NOTA:** La velocidad de este marcador del paintball se extiende de aproximadamente 240 - 300 pies por el segundo (fps). Las velocidades fluctuarán o variarán debido al tamaño del paintball, a la condición de clima, a la altitud, al tipo de fuente del aire y a la variación en la tensión del resorte de la fabricación.

### ADVERTENCIA

- La velocidad recomendada no debería ser superior a 300fps. El no respetar esta indicación podría resultar en lesiones graves e incluso la muerte si la velocidad configurada es demasiado alta.
- Nunca disparar a una persona a una distancia inferior de 25 pies.
- Nunca apunte con marcador cuando esta está cargada a una persona que no posee la protección adecuada.
- Nunca miré a través del cañón de marcador este ésta cargada o no.
- La utilización de marcadoras de paintball fuera un recinto designado para la práctica del paintball puede ser ilegal, y es susceptible de acarrear consecuencias penales si el usuario provoca algún daño, ya sea físico o material.

## ADAPTADOR C/A ON/OFF



**CONSEJO:** Asegúrese que el Tanque de CO<sub>2</sub> / Aire Comprimido está lleno antes del uso.

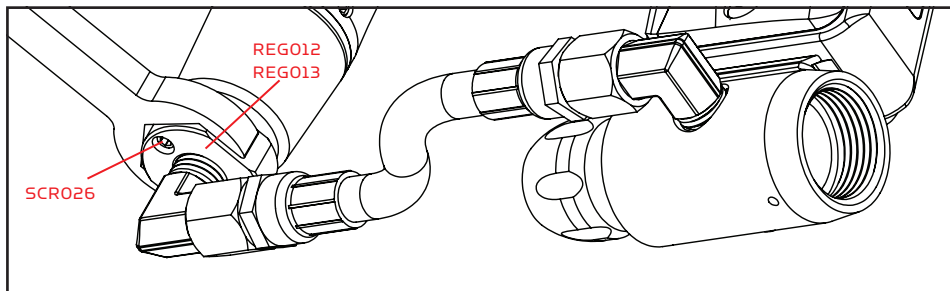
- Conecte el Tanque de CO<sub>2</sub> / Aire Comprimido al adaptador C/A On/Off.
- El Tanque de Co<sub>2</sub> / Aire Comprimido debe montarse firmemente apretado con las manos solamente. Si se produjese un agujero de aire entre el depósito de gas y el adaptador, sustituya la arandela u o-ring.
- Para presurizar la pistola, gire la perilla del adaptador hasta la posición ON para perforar la válvula de alfiler en el depósito.
- Para liberar la presión gire la perilla del disco hasta la posición OFF. Esto liberará la presión en la línea de manguera y andentee de la marcadora.

**IMPORTANTE:** Los marcadores que se equipan de los reguladores pueden almacenar el aire residual después de que se haya quitado el tanque del aire comprimido / CO<sub>2</sub>. Para quitar completamente cualquier aire residual almacenado en el marcador, dar vuelta a la perilla ON./OFF. del adaptador de C/A a la izquierda para apagar el aire suministrado del tanque. Toma varios tiros con el marcador señalado en una dirección segura hasta que el marcador no tenga ningún aire residual.

**IMPORTANTE:** Nunca se debe usar una herramienta para conectar el Tanque al adaptador C/A.

**NOTA:** O-rings incluidos en los partes (\*\*\*) no son tipo para usar en tanques de Co<sub>2</sub> ni del aire comprimido. **NOTA:** La rosca del adaptador C/A On/Off es estándar norteamericano

## AJUSTE DEL REGULADOR



**ADVERTENCIA:** no intente desatornillar en ningún momento el Vertical Regulator mientras el marcador esté presurizado. Hacerlo puede provocar lesiones graves e incluso la muerte.

La Electra está equipada con el Fast Charge Inline Regulator que mejora la consistencia de la velocidad del marcador y la eficiencia del aire. Una vez que se ha montado el tanque de aire comprimido / CO<sub>2</sub> y que la válvula del tanque se ha abierto girando el adaptador C/A On/Off en el sentido de las agujas del reloj, el marcador está listo para disparar.

El ajuste de la presión de salida del regulador se realiza mediante el mando del regulador situado en la parte posterior del mismo utilizando la llave suministrada con el juego de piezas de recambio.

**PASO 1** Afloje el Regulator Adjuster Lock Screw situado en el Regulator Adjuster Knob.

**PASO 2** Utilizando la Open End Wrench suministrada con el juego de partes de recambio, si hacemos girar el mando de ajuste en el sentido de las agujas del reloj se reducirá la presión de salida del regulador y si lo hacemos en el sentido contrario a las agujas del reloj, la presión del regulador aumentará.

**NOTA:** una configuración de salida del regulador demasiado baja resultará en una velocidad demasiado baja y puede provocar que haya que volver a amartillar el marcador. La presión de salida del aire del regulador debe ser adecuada si quiere evitar que el marcador se quede sin aire. Una configuración de salida del regulador resultará en un consumo de aire excesivo y en una reducida eficacia del aire. Esto podría resultar también en velocidades demasiado altas que exceden los límites de seguridad recomendados para jugar al paintball.

**PASO 3** Después de cada vez que ajuste el regulador, debe accionar el marcador unas cuantas veces para que el regulador se acostumbre a su nueva configuración de salida.

**PASO 4** Asegurar el Regulator Adjuster Lock Screw evitará que el mando de ajuste gire a causa de las vibraciones y mantendrá la configuración de salida del regulador estable y bloqueada.

**IMPORTANTE:** cualquier ajuste de la presión de salida del Inline Regulator afectará a la configuración de velocidad del marcador. Cronometre el marcador después de cada ajuste.

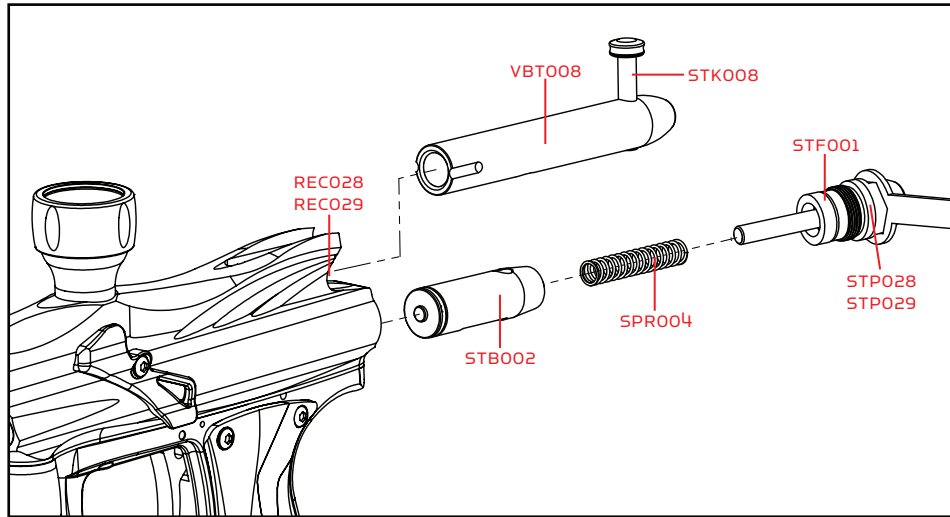
Al ajustar el regulador para reducir la presión de salida tendrá que disparar el marcador unas cuantas veces hasta obtener la nueva configuración. **IMPORTANTE:** (asegúrese de que su marcador apunta en una dirección segura y de que sigue todas las instrucciones de seguridad para el uso del producto).

**IMPORTANTE:** los marcadores dotados de reguladores pueden almacenar aire residual una vez que se ha retirado el tanque de aire comprimido. Para eliminar completamente todo el aire residual acumulado en el marcador, gire el adaptador C/A On/Off en el sentido contrario a las agujas del reloj para cortar el suministro de aire desde el tanque.

**IMPORTANTE:** no intente reparar el regulador a no ser que haya recibido la preparación adecuada de un técnico de Kingman Group Hacerlo INVALIDARÁ la garantía del regulador y Kingman Group quedará libre de cualquier responsabilidad. Si su aparato sufre pérdidas o experimenta algún problema con el regulador, contacte con el Área de Servicio Técnico de Kingman Group.

**IMPORTANTE:** retire siempre todas las bolas de pintura y el tanque de aire comprimido / CO<sub>2</sub> de su marcador y recuerde que el marcador no debe estar amartillado para poder guardarlo.

## DESMONTAJE LIMPIO Y RÁPIDO



Nombres y números de partes descritos en esta selección:

Top Cocking Knob (#STK008)

Delrin Bolt (#VBT008)

Striker Bolt (#STB002)

Striker Plug (#STP028/STP029)

Striker Spring (#SPR004)

Striker Buffer (#STF001)

Receiver (#RECO28/RECO29)

## DESMONTAJE LIMPIO Y RÁPIDO

Levante en el Top Cocking Knob para desconectar el Delrin Bolt del Striker Bolt. Esto permitirá al Delrin Bolt levantarse de la parte trasera del receptor. **CONSEJO:** La retirada del Delrin Bolt del receptor permitirá obtener un fácil acceso para la limpieza con una rasqueta de caucho. **NOTA:** Asegúrese de que el agujero del Striker Bolt se encuentra en posición vertical cuando se mira a través del receptor. Esto permitirá al Top Cocking Knob ajustar correctamente con el Striker Bolt.

**IMPORTANTE:** El agujero por el que pasa el aire en la parte intermedia del Delrin Bolt ubicado en la mitad del Delrin Bolt debería estar siempre colocado hacia abajo cuando se reinstala. Si el Delrin Bolt no se ha instalado correctamente, las paintballs no saldrán del cañón con normalidad.

## DESMONTAJE DE LAS PARTES INTERNAS TRASERAS

**PASO 1** Levante en el Top Cocking Knob para desconectar el Delrin Bolt del Striker Bolt. Esto permitirá al Delrin Bolt levantarse de la parte trasera del receptor.

**PASO 2** Utilizando una llave inglesa, mueva el Striker Plug con rotación a izquierdas en la parte trasera del receptor. Esto permitirá a todas las partes internas, tales como el ajustador de velocidad y al muelle guía (Velocity Adjuster & Spring Guide), Striker Spring, Striker Buffer y Striker Bolt deslizarse de la parte trasera del receptor.

**NOTA:** retire el Striker Plug solamente con el marcador en la posición de "no amartillada" y esto evitará que los elementos internos se muevan porque el Striker Spring está comprimido.

**CONSEJO:** al colocar su dedo detrás del Striker Plug antes de retirarlo evitará que los elementos internos de los marcadores se muevan.

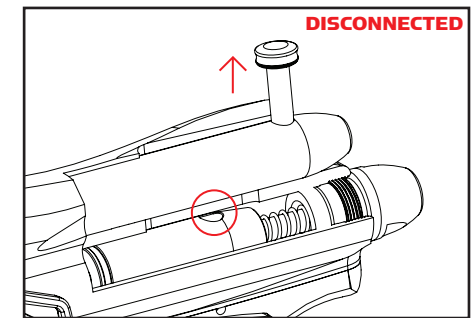
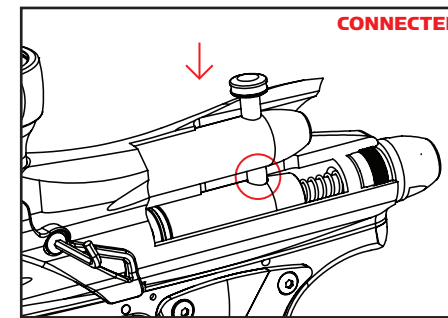
**PASO 3** Retire los elementos en este orden: Striker Plug w/Velocity Adjuster, Striker Spring y Striker Buffer.

**PASO 4** Levante el Striker Bolt de la parte trasera del receptor.

**CONSEJO:** cuando los elementos internos se retiran, se aconseja limpiar cualquier residuo o pintura que pueda existir en la parte interna del receptor con una rasqueta de caucho y limpie el Delrin Bolt con un trapo o una toallita de papel. Aplique periódicamente aceite específico de marcadoras de paintball sobre la junta tórica del Striker.

**IMPORTANTE:** no es necesario desmontar los elementos internos de la parte trasera para un mantenimiento básico a menos que la junta tórica del Striker necesite ser reemplazada.

## RE-ENSAMBLAJE DE LOS ELEMENTOS INTERNOS DE LA PARTE TRASERA



**PASO 1** Reinserte el Striker Bolt con la junta tórica del Striker que tenga una posición hacia el frente del marcador con la parte abollada del Striker Bolt mirando hacia abajo. **NOTA:** Teniendo el interruptor de alimentación en posición "ON", facilitará la reentrada del Striker Bolt. Aplique presión con el dedo detrás del Bolt y al mismo tiempo tire del gatillo. Repita este proceso hasta que el Bolt esté completamente insertado. **NOTA:** El agujero del Striker Bolt debería estar colocado verticalmente cuando se mire a través del receptor.

**PASO 2** Introduzca el Striker Buffer con el receptor y coloque el Striker Spring a través del Striker Buffer.

**PASO 3** Ajuste firmemente el Striker Plug w/Velocity Adjuster & Spring Guide a la parte posterior del receptor.

**PASO 4** Inserte el Delrin Bolt atravesando la parte posterior del Top Cocking Knob. Presione hacia abajo el Top Cocking Knob para permitir que entre el Striker Bolt. **NOTA:** Si el orificio del Striker Bolt no está correctamente alineado, el Top Cocking Knob no se sujetará correctamente.

**ADVERTENCIA:** Nunca la tentativa de quitar los traseros mientras el CO2 / el Tanque de Aire Comprimido es atado. Asegúrese para quitar todo paintballs y el cargador antes de desmontar marcador.

Para asegurarse de que marcador se ha re ensamblado, siga el dibujo esquemático o durante el desmontaje. Los componentes mal puestos pueden hacer que marcador funcione mal.

## UN PAINTBALL ATASCADO EN LA ENTRADA DEL CAÑÓN

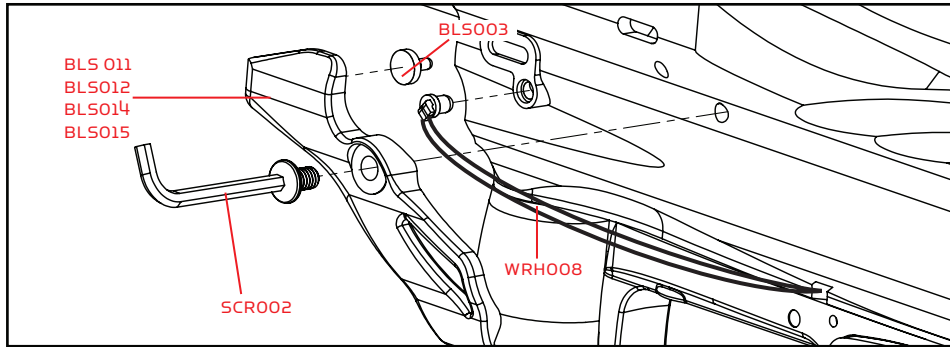
En caso de la ruptura de paintball, siga estos pasos para no dañar marcador. Antes de intentar desatascar el Delrin bolt haga uso de gafas que le protejan los ojos. Asegúrese que marcador está en la posición SAFE / OFF antes de llevar a cabo cualquier manipulación. Quite el Tanque de CO2 de Aire Comprimido. Vacíe el cargador de paintballs. Desacople el cañón del receptor para permitir que el paintball atascado salga. Con bastante tensión en el Cocking Knob, retírese para liberar el Delrin bolt de la posición atascada. Otro método es usar directamente un "enjuagador de tiro". Siempre limpie la pintura de la entrada del cañón y el cañón para aumentar la precisión y el alcance de su marcador.

**IMPORTANTE:** Nunca mire en el interior del cañón de marcador ya esté cargada o descargada.

Quite Tanque de CO2 de Aire Comprimido antes de intentar desatascar el Delrin Bolt.

**NOTA:** Nunca utilizar una vara metálica o destornillador como un instrumento para desatascar ya que dañaría el interior de marcador

## ANTI CHOP EYES



Nombres y números de partes descritos en esta selección:

Eye Panel (#BLS011/BLS012/ BLS014/BLS015)  
 Ball Stopper (#BLS003)  
 Eye Panel Screw (#SCR002)  
 Eye Wire Harness (#WRH008)

## ANTI CHOP EYES

Los Anti Chop Eyes evitan que se corte una bola de pintura al impedir que el marcador dispare hasta que haya una bola alojada en la recámara. Los Eyes emiten un haz de luz hacia el interior de la recámara. La tarjeta de circuitos viene programada de fábrica y no necesita ajustes o cambios. (Si los Eyes están en ON y no se ven el uno al otro al activar su marcador, deberá limpiar los Eyes.)

**NOTA:** el sistema de Anti Chop Eyes reduce la probabilidad de cortar las bolas de pintura pero no lo impide totalmente. Para lograr un funcionamiento mejor y más fiable, mantenga los Anti Chop Eyes limpios.

## LIMPIEZA DE LOS ANTI CHOP EYES

Introduciendo una escobilla de goma o un escobillón debería bastar para limpiar los Eyes lo suficiente como para que se detecten el uno al otro. Otra manera es aplicar un aerosol en la recámara para eliminar cualquier resto de pintura o suciedad. Para limpiar los Eyes a fondo utilizando la llave Allen (incluido en el equipo de partes) suministrada para quitar los Eye Panel Screws y los Eye Panels. Una vez se han retirado los Eye Panel Screws y los Eye Panels, separe con un ligero pellizco el Eye Wire Harness del receptor. Utilice un trapo o una toallita de papel para eliminar cualquier resto de pintura o suciedad que bloquee los Eyes.

**IMPORTANTE:** Limpiar los Eyes con regularidad reducirá la suciedad, pintura o los restos de aceite que tapan los Eyes. **NOTA:** No intente acelerar el proceso de limpieza o podría pellizcar los cables y hacer que el marcador funcione incorrectamente con el Eye Mode ON. Evite apretar demasiado los Eye Panel Screws o la cabeza podría desprenderse. **NOTA:** Al retirar los Eye Panels el/los Ball Stopper/s podrían unirse a los Eye Panels y hacer que caigan. **CONSEJO:** Fíjese en como se retiran las partes para poder volver a montarlas fácilmente.

**IMPORTANTE:** Antes de retirar los dos Eye Panels introduzca una aguja o un palillo en el orificio del Eye Panel para eliminar la suciedad que pueda haber acumulada y así evitar que la llave Allen afloje el tornillo. Es posible que si no limpia la suciedad, el Eye Panel Screw se desprenda.

**NOTA:** la limpieza de mantenimiento de los Anti Chop Eyes sólo se debería llevar a cabo si se ha roto una bola de pintura en la recámara y ha afectado al sistema de detección de las bolas. Retirar el Delrin Bolt e introducir una escobilla de goma por la recámara es un buen método de limpieza de los Anti Chop Eyes.

## CAMBIO DE LOS BALL STOPPERS

Si observa que la pintura se desplaza por el cañón, esto puede deberse al reducido diámetro de las bolas de pintura o a la pérdida del/de los Ball Stopper/s. Al retirar los Eye Panel Screws y los Eye Panels, el/los Ball Stopper/s serán accesibles para proceder a su limpieza o cambio.

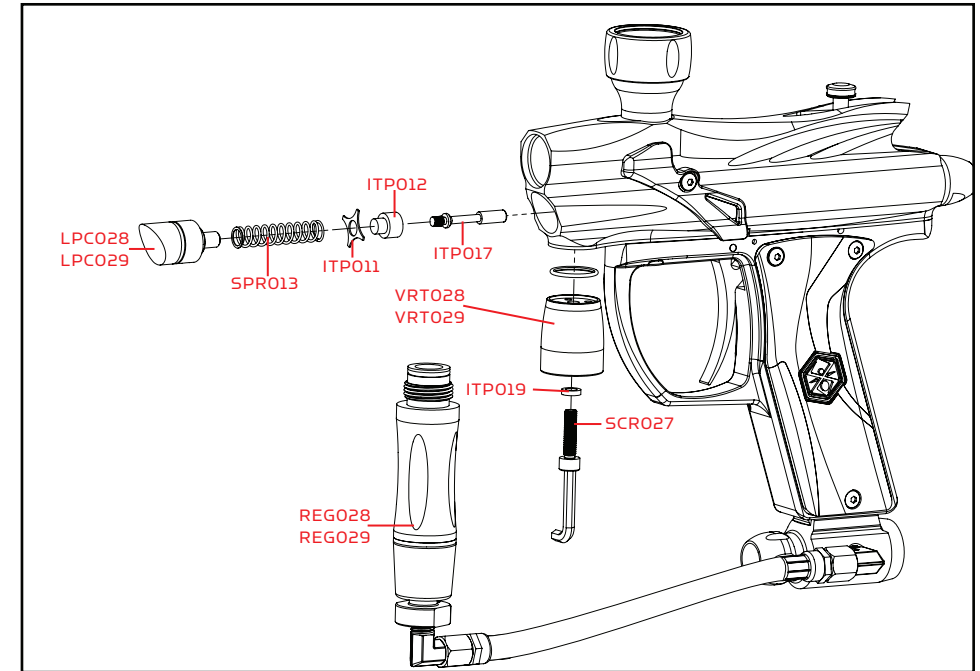
**CONSEJO:** fíjese en como se retiran las partes para poder volver a montarlas fácilmente.

**IMPORTANTE:** antes de retirar los dos Eye Panels introduzca una aguja o un palillo en el orificio del Eye Panel para eliminar la suciedad que pueda haber acumulada y así evitar que se afloje el tornillo Allen. Es posible que si no limpia la suciedad, el Eye Panel Screw se desprenda.

**NOTA:** evite apretar demasiado los Eye Panel Screws o la cabeza podría desprenderse.

**NOTA:** no es necesario limpiar los Ball Stoppers a no ser que se hayan desgastado completamente o que ya no sean capaces de impedir que la bola de pintura salga de la recámara del marcador cuando éste apunte hacia abajo.

## RETIRADA DEL CUP SEAL / ACCESO AL CUP SEAL PASO A PASO



Nombres y números de partes descritos en esta selección:

Regulator (#REG028/REG029)  
 Cup Seal Guide (#ITP012)  
 Cup Seal (#ITP017)  
 Valve Pin (#ITP019)  
 M5x20 Vertical Washer (#ITP019)

Front Plug (#LPC028/LPC029)  
 Valve Spring (#SPR013)  
 Vertical Adapter (#VRT028/VRT029)  
 Vertical Adapter Mounting Screw (#SCR027)

## ACCESO AL CUP SEAL PASO A PASO

Para poder acceder al Cup Seal para su mantenimiento o cambio es necesario retirar el Front Plug y el Vertical Adapter.

**PASO 1** Desatornille el Fast Charge Inline Regulator del Vertical CA On/Off Adapter.

**PASO 2** Retire el Vertical Adapter desatornillando el Vertical Adapter Mounting Screw, asegurándose de mantener un dedo sobre el Front Plug para evitar que salte. **NOTA:** el Vertical Adapter Mounting Screw sirve para mantener en su lugar el Front Plug y el Vertical Adapter.

**PASO 3** Al retirar el Front Plug, éste debería salir con el Valve Spring, la Cup Seal Guide, el Cup Seal y el Valve Pin conjuntamente.

**PASO 4** Desatornille el Cup Seal del Valve Pin y sustitúyalo por el de repuesto suministrado con su juego de piezas de recambio.

**PASO 5** Siga los pasos previos en orden inverso para reinstalar todos los componentes adecuadamente. Asegúrese de que el orificio del tornillo del Front Plug está alineado con el del Vertical CA On/Off Adapter.

**IMPORTANTE:** antes de proceder al mantenimiento del marcador asegúrese siempre de que todas las fuentes de aire han sido eliminadas y de que cualquier aire residual se ha expulsado completamente.

**NOTA:** el mantenimiento o sustitución del Cup Seal sólo se debería llevar a cabo si existen pérdidas en la recámara que se puedan oír una vez que ha sido retirado el Delrin Bolt.

## SOLUCIONES

### UNO O VARIOS DE LO SIGUIENTES PROBLEMAS PUEDEN CAUSAR AMARTILLANDO

- Necesito la lubricación en el o-ring siguiente (# ORG001) (ver desmontaje / montaje y limpieza de componentes internos).
- La presión en el tanque es demasiado baja y posiblemente tiene que ser rellenada.
- El Striker O-ring (# ORG001) está dañado o simplemente no está. Sustitúyalo por el Striker O-ring oficial e Kingman. **NOTA:** el Striker O-ring no puede ser substituido por una arandela u o-ring de botella de.
- La suciedad o los fragmentos de cáscara de pintura rotos en el receptor pueden hacer que marcador tenga amartillando. La utilización de un limpiador a través de la parte superior del receptor quitará la mayor parte de la suciedad o fragmentos de cáscara rotos. Si persiste el problema, ver desmontaje / montaje y limpieza de componentes internos) desmonte marcador para una limpieza completa.

**CONSEJO:** los Paintballs tienen una durabilidad determinada antes de la venta y pueden volverse demasiado frágiles para el uso.

**CONSEJO:** el Paintballs puede adoptar una forma diferente con el tiempo, entonces será aconsejable adaptar el tamaño del paintball a su cañón.

### SOLUCIÓN DE PROBLEMAS VINCULADOS A LA ELECTRÓNICA DE MARCADOR

- Si su marcador no dispara puede ser debido a uno de los problemas siguientes:
- La batería descarga.
- Los cables de Batería no están correctamente conectados a la tarjeta de circuitos.
- La Coil Set Harness no está correctamente conectada a la tarjeta de circuitos.
- La Touch Switch Harness no está correctamente conectada a la tarjeta de circuitos.

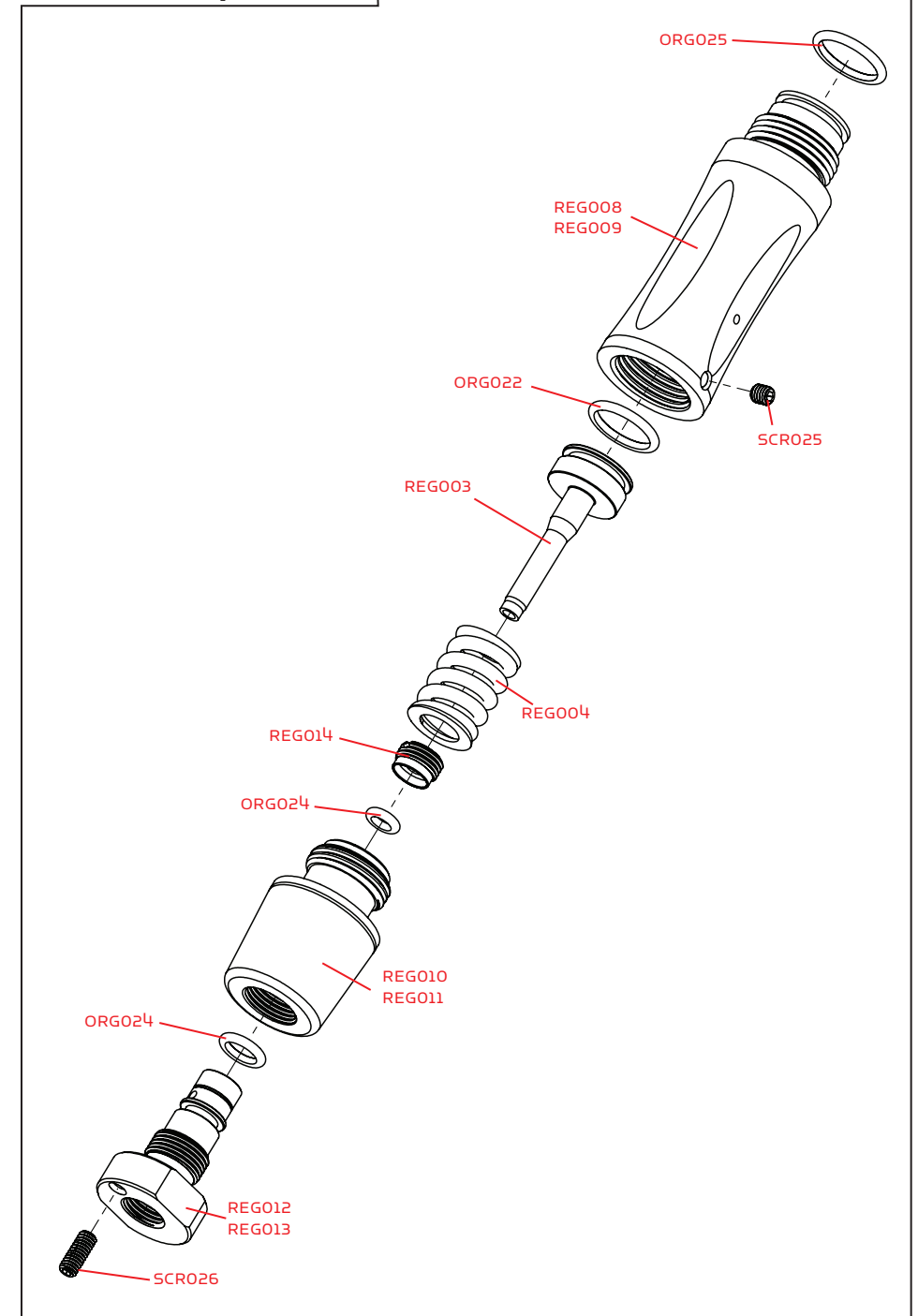
**NOTA:** Si la Electrónica de las marcadoras tiene alguna suciedad o pintura, Kingman recomienda usar un aerosol. Aplique el aerosol directamente en los componentes que lo necesiten.

### AGUJEROS DE AIRE

**IMPORTANTE:** Siempre quite el Tanque de gas y paintballs antes de cualquier manipulación de marcador.

- Si se escapa aire de la Cámara de Presión Inferior significa que el O-ring (#ORG002) tendrá que ser engrasado o sustituido.
- Si se escapa aire del Adaptador Vertical significa que el O-ring (#ORG023) tendrá que ser engrasado o sustituido.
- Si se escapa aire por el cañón por lo general se debe a que un cup seal está dañado y hay que reemplazarlo.
- Nunca quitan el cuerpo de válvula a menos que las reparaciones específicas sean necesarias.
- Una mella o rasguño en el labio del cuerpo de válvula puede causar un agujero de aire interno. El cuerpo de válvula tiene que ser sustituido.
- Aire que se escapa a través del Receptor y del Trigger Frame indicaría que las arandelas del cuerpo de válvula tendrán que ser sustituidas.
- Si el aire se escapa a través del extremo opuesto de los accesorios de manguera, por favor compruebe lo siguiente: El polo hembra de la Manguera debe tener una arandela de plástico instalado dentro del cuello de la manguera y estar apretado correctamente. **CONSEJO:** para asegurarse de que marcador se ensamblado correctamente, siga el dibujo esquemático durante el desmontaje. De lo contrario marcador podría funcionar inadecuadamente.

### REGULADOR ESQUEMÁTICO



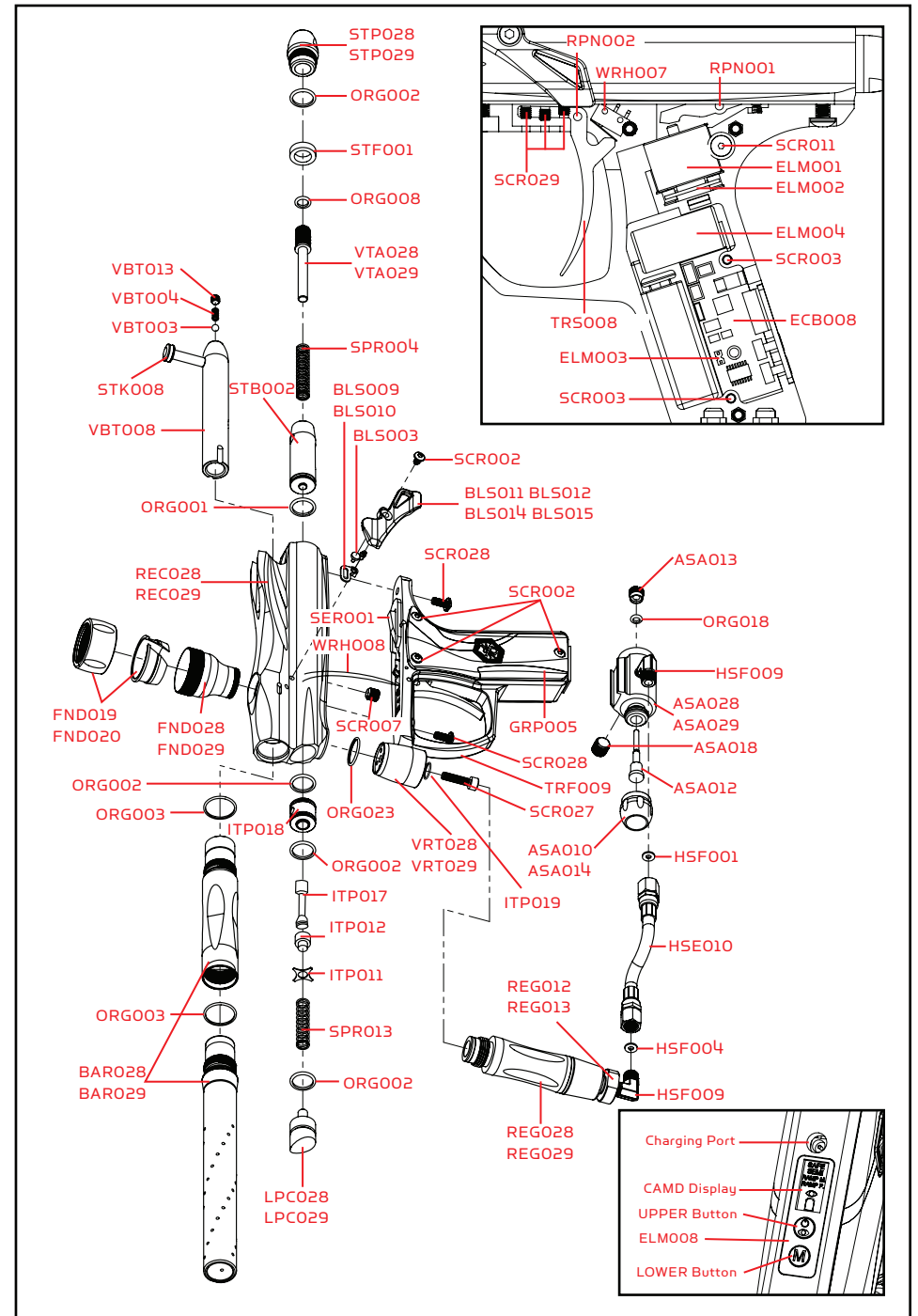


DE PIEZAS ELECTRA w/Eye

ASA010	C/A On/Off Adapter Knob (polished black)	RECO29	Electra w/Eye Receiver (polished titanium)
ASA012	C/A On/Off Depressing Pin	REG003	Reg Piston
ASA013	C/A On/Off Retaining Screw	REG004	Reg Spring
ASA014	C/A On/Off Adapter Knob (polished titanium)	REG008	Reg Top Body (polished black)
ASA018	C/A On/Off 1/8 Hose Plug	REG009	Reg Top Body (polished titanium)
ASA028	C/A On/Off Adapter (polished black)	REG010	Reg Mid Body (polished black)
ASA029	C/A On/Off Adapter (polished titanium)	REG011	Reg Mid Body (polished titanium)
BAR028	12" 2PCS Barrel (polished black)	REG012	Reg Adjuster (polished black)
BAR029	12" 2PCS Barrel (polished titanium)	REG013	Reg Adjuster (polished titanium)
BLS003	Ball Stopper	REG014	Reg O-ring Housing (F)
BLS009	Ball Stopper / Eye Wire Insert - right (black)	REG028	Regulator (complete) (polished black)
BLS010	Ball Stopper / Eye Wire Insert - left (black)	REG029	Regulator (complete) (polished titanium)
BLS011	Aluminum Eye Panel - right (polished black)	RPN001	Sear Roll Pin
BLS012	Aluminum Eye Panel - left (polished black)	RPN002	Trigger/Touch Switch Roll Pin
BLS014	Aluminum Eye Panel - right (polished titanium)	SCRO02	M4 x 8 Screw (A)
BLS015	Aluminum Eye Panel - left (polished titanium)	SCRO03	Circuit Board Screw (+)
ECB008	LEAP™ Circuit Board	SCRO07	M8 x 8 Valve Body Screw (A)
ELM001	Coil Set	SCRO11	Coil Set Screw
ELM002	Coil Pin	SCRO25	M4 x 4 Reg Screw (A)
ELM003	Tournament Lock Switch	SCRO26	M4 x 10 Reg Adjuster Screw (A)
ELM004	Capacitor	SCRO27	M5 x 20 Vertical Screw (A)
ELM008	LEAP™ Touch Switch Membrane	SCRO28	M5 x 10 Trigger Frame Screw (A)
ELM009	CAMD Display Cover	SCRO29	M4 x 6 Trigger Adjustment Screw (A)
FND019	Twist Clamp & C Clip Insert (polished black)	SER001	Sear
FND020	Twist Clamp & C Clip Insert (polished titanium)	SPR004	Striker Spring
FND028	Feed Neck (polished black)	SPR009	ESP Sear Spring
FND029	Feed Neck (polished titanium)	SPR013	Valve Spring
GRP005	Dual Texture Grip Panel (black)	STB002	Striker Bolt
HSE010	Disconnect Hose (female x female)	STF001	Striker Buffer
H5F004	Plastic Washer	STK008	Top Cocking Knob
H5F009	90d Male to Male Adapter (STD x MET)	STPO28	Striker Plug Threaded (polished black)
ITP011	Cup Seal Guide	STPO29	Striker Plug Threaded (polished titanium)
ITP012	Cup Seal	TRF009	Electronic Trigger Frame (M)
ITP017	Valve Pin (slim)	TR5008	Magnetic Saber Trigger (polished black)
ITP018	Valve Body (blind hole)	VBT003	Delrin Bolt Locking Bearing
ITP019	M5x20 Vertical Washer	VBT004	Delrin Bolt Locking Spring
LPC028	Front Plug (polished black)	VBT008	Delrin Bolt w/ Locking Knob
LPC029	Front Plug (polished titanium)	VBT013	Delrin Bolt Locking Screw
ORG001	Striker O-ring #14.3 1.7 60pu	VRT028	Vertical Adapter (polished black)
ORG002	O-ring #015 80	VRT029	Vertical Adapter (polished titanium)
ORG003	Barrel O-ring #22 1.5 80	VTA028	Velocity Adjuster & Spring Guide (polished black)
ORG008	O-ring #010 80	VTA029	Velocity Adjuster & Spring Guide (polished titanium)
ORG018	O-ring #08 80	WRH002	Battery Harness
ORG021	Reg Piston #14 70pu	WRH007	Touch Switch (3P)
ORG022	Reg Adjuster O-ring #11 80pu	WRH008	Eye Wire Harness
ORG023	Vertical O-ring #17 1.5 80		
ORG024	Piston Shaft O-ring #08 80pu		
*PAK005	Spare Parts Kit		
RECO28	Electra w/Eye Receiver (polished black)		

\* Item Not Pictured (+) Cross-head Screw (A) Allen-head Screw

ELECTRA w/Eye ESQUEMÁTICO



## **GARANTÍA**

Kingman garantiza al comprador que este producto está libre de defectos materiales y operativos para su normal uso y servicio por el periodo de un año a partir de la fecha original de la compra. Cualquier Componente Electrónico en un marcador Spyder Electrónico está garantizado durante 6 meses a partir de la fecha original de la compra. Kingman se hace cargo de llevar a cabo las reparaciones o sustituciones de componentes de cualquier producto dentro de un período razonable del tiempo. Esta garantía no cubre tuercas u o-anillos, cup seals, baterías recargables, cargadores, rasguños, mellas, el desgaste normal de los componentes, modificaciones, la decoloración normal o el daño causado por golpes. Esta garantía no se aplicará si un Técnico de Kingman demuestra que el consumidor causó el defecto o el funcionamiento defectuoso debido al mal uso. Esta garantía sólo cubre componentes originales de fábrica. Cualquier modificación de los componentes originales de fábrica ANULARÁ tanto la garantía como las responsabilidades de Kingman. Cualquier daño causado por el echar agua no será cubierto por la garantía. La reparación de garantía sólo puede ser llevada a cabo por un técnico de Kingman o autorizado por Kingman. Para que la garantía sea aplicable, el consumidor debe aportar la tarjeta de registro de garantía rellena, junto con una copia del recibo de compra. Las marcadoras de Paintball no son reintegrables. Esta garantía no cubrirá elección, embarque, entrega, y/o llamadas de casa. Si el producto necesita ser reparado, el cliente es el responsable del embalado del producto y de los gastos de envío a Kingman. Incluya una nota con su nombre, dirección, número de teléfono y una breve descripción del problema a:

### **KINGMAN GROUP**

Attn: Tech Department  
14010 Live Oak Avenue  
Baldwin Park, CA 91706 U.S.A.  
[www.kingman.com](http://www.kingman.com)

Registro de garantía también disponible en [www.spyder.tv](http://www.spyder.tv)

### **PARA APOYO TÉCNICO**

Nuestro Departamento de Apoyo Técnico está abierto de lunes a viernes, de 8:00 a 17:00 (horario de Los Ángeles), teléfono: (626) 430-2300 Fax: (626) 851-8530

[www.spyder.tv](http://www.spyder.tv)

**PASSION FOR PAINTBALL™**

