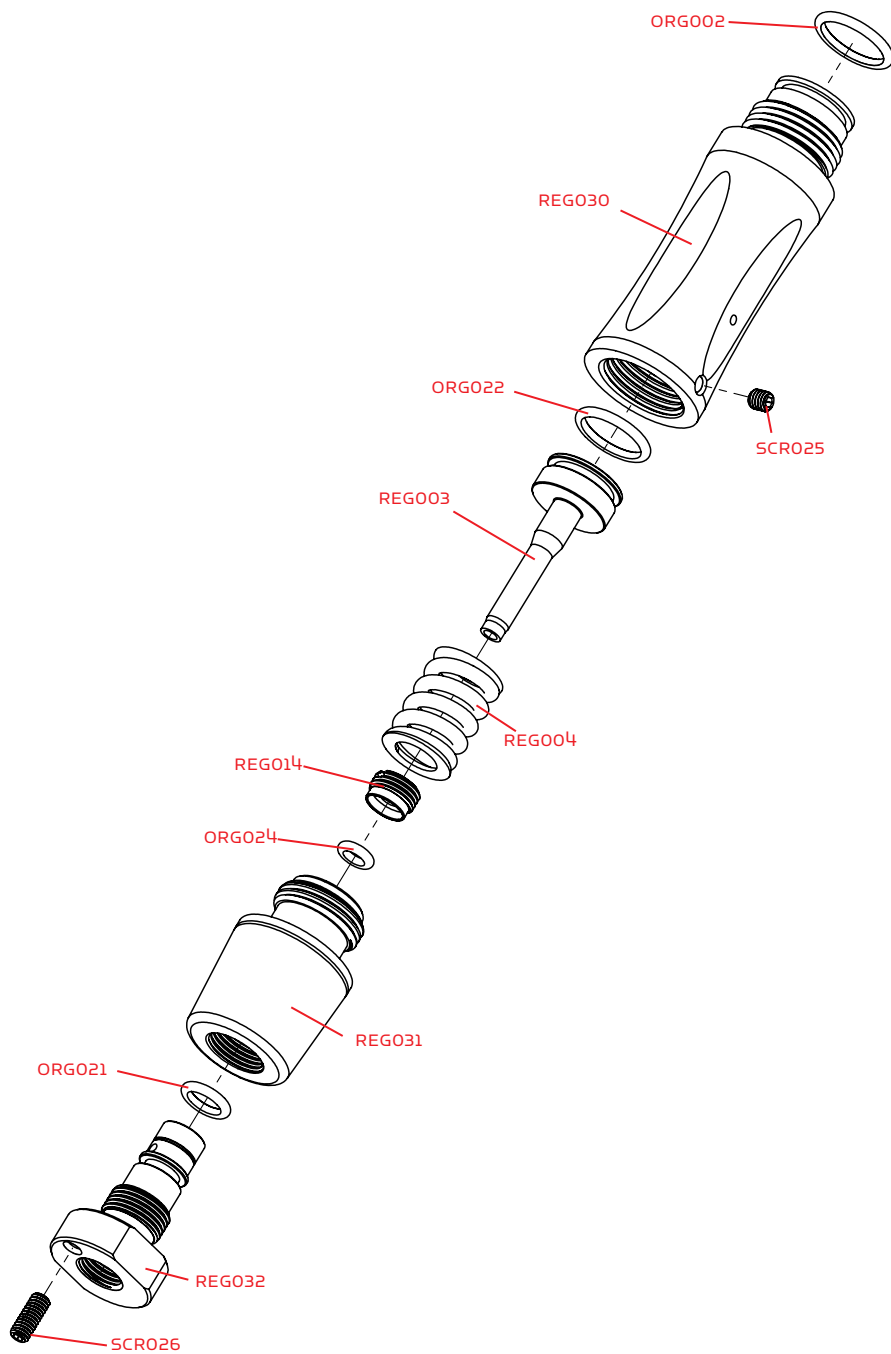


REGULATOR SCHEMATIC



FENIX™ PARTS LIST

ASA026	C/A Adapter (matte black)	REG004	Reg Spring
BAR026	1PCS Barrel (matte black)	REG014	Reg O-ring Housing (flat head)
BLS047	Ball Stopper (red)	REG030	Reg Top Body (matte black)
BL5007	Eye Panel - right (black)	REG031	Reg Mid Body (matte black)
BL5008	Eye Panel - left (black)	REG032	Reg Adjuster (matte black)
BLS009	Ball Stopper / Eye Wire Insert - right	REG033	Regulator (complete) (matte black)
BLS010	Ball Stopper / Eye Wire Insert - left	RPN001	Sear Roll Pin
ECB013	LEAP™ II Circuit Board	RPN002	Trigger/Touch Switch Roll Pin
ELM001	Coil Set	SCR002	M4 x 8 Screw (A)
ELM002	Coil Pin	SCR003	Circuit Board Screw (+)
ELM003	Tournament Lock Switch	SCR007	M8 x 10 Valve Body Screw (A)
ELM004	Capacitor	SCR011	Coil Set Screw
ELM008	Leap Touch Switch Membrane	SCR024	M5 x 25 Screw C/A Adapter Screw (A)
FND014	Clamping Collar (matte black)	SCR025	M4 x 4 Reg Screw (A)
FND032	Feed Neck (matte black)	SCR026	M4 x 10 Reg Adjuster Screw (A)
GRP005	Dual Texture Grip Panel (black)	SCR027	M5 x 20 Vertical Screw (A)
HSE047	Disconnect Hose (male x female)	SCR028	M5 x 10 Trigger Frame Screw w/washer (A)
HSF004	Plastic Washer	SCR029	M4 x 6 Trigger Adjustment Screw (A)
HSF009	90° Male to Male Adapter (std x met) swivel	SCR030	M3 x 10 Clamping Screw (A)
ITPO23	Cup Seal	SCR035	M4 x 10 Eye Panel Screw
ITPO26	Eko™ Valve Pin	* SER001	Sear
ITPO25	Eko™ Valve Body	SPR009	ESP Sear Spring
LPC047	Front Plug (matte black)	SPR013	Valve Spring
ORG001	Striker O-ring #14.3 1.7 60pu	SPR004	Striker Spring
ORG002	O-ring #15 80	STB002	Striker Bolt
ORG003	Barrel O-ring #22 1.5 80	STF001	Striker Buffer
ORG004	O-ring #11 80	STK008	Top Cocking Knob
ORG008	O-ring #10 80	STP026	Striker Plug Threaded
ORG021	Reg Adjuster O-ring #11 80pu	TRF008	Electronic Polymer Trigger Frame
ORG022	Reg Piston O-ring #14 70pu	TRS008	Magnetic Saber Trigger (polish black)
ORG023	Vertical O-ring #17 1.5 80	VBT003	Bolt Locking Bearing
ORG024	Reg Piston Shaft O-ring #08 80pu	VBT004	Bolt Locking Spring
* PAK047	FENIX Spare Parts Kit	VBT013	Bolt Locking Screw
REC047	FENIX Receiver (black)	VBT014	Delrin Bolt w/ Locking Knob
REC048	FENIX Receiver (silver/grey)	VRT026	Vertical Adapter (matte black)
REC049	FENIX Reciver (slate blue)	VTA026	Velocity Adjuster & Spring Guide (matte black)
REG003	Reg Piston	WRH002	Battery Harness
		WRH007	Touch Switch
		* WRH008	Eye Wire Harness (extra long)

* Item Not Pictured (+) Cross-head Screw (A) Allen-head Screw

FENIX™ SCHEMATICS

