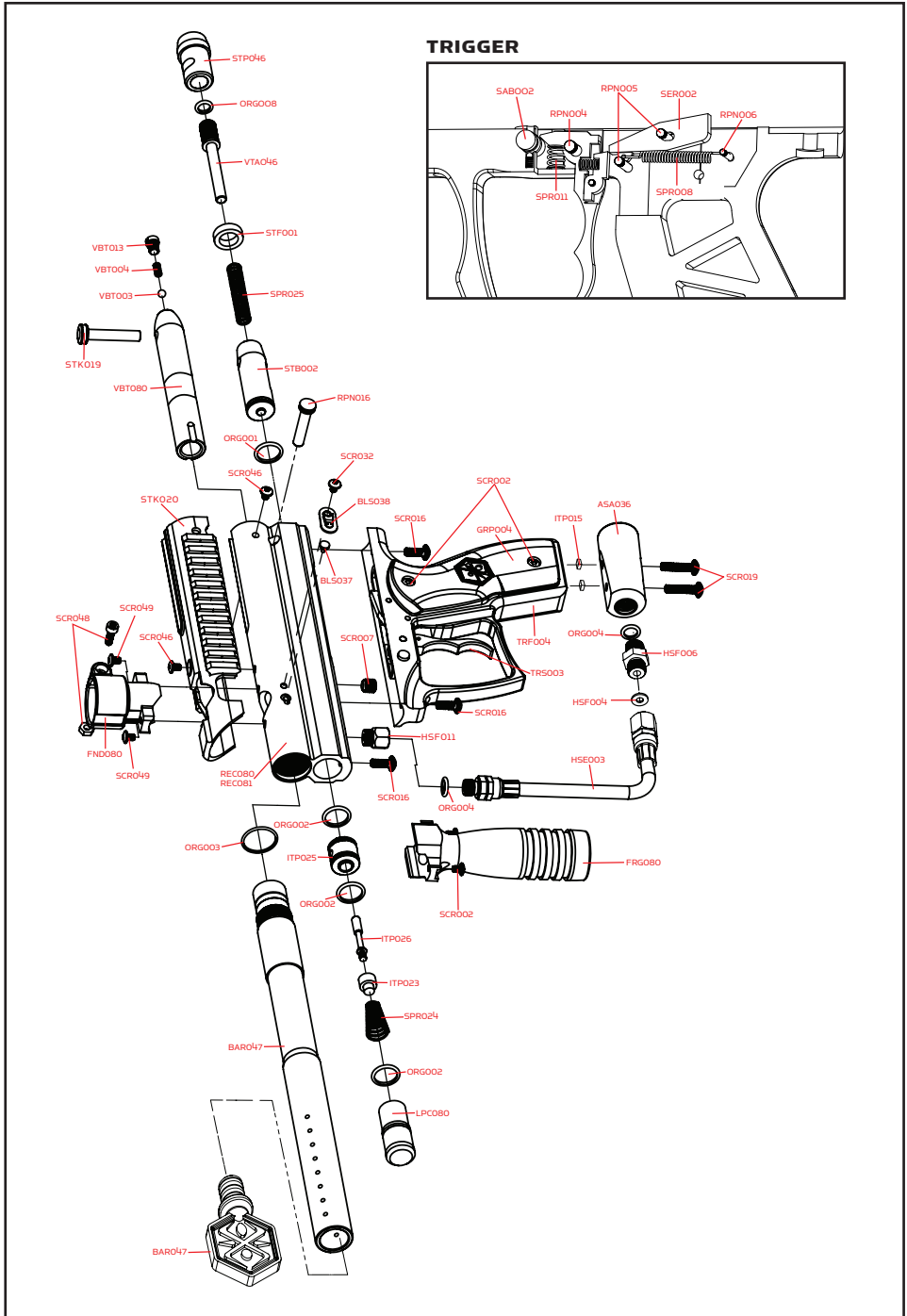


## MR100 PRO SCHEMATICS



## MR100 PRO PARTS LIST

ASA036	C/A Adapter Angled (diamond black)	SAB002	Safety Button (m)
BAR001	Spyder Barrel Plug	SCR002	M4 x 8 Screw (A)
BAR047	1PCS MR100 Barrel (diamond black)	SCR007	Valve Body Screw (A)
BLS037	Rubber Ball Stopper	SCR016	M5 x 12 Screw (A)
BLS038	Detent Cover (plastic curve)	SCR019	M5 x 28 Screw C/A Adapter Screw (A)
FND080	Feed Neck 2012 (plastic)	SCR032	M4 x 6 09 Ball Detent Screw (A)
FRG080	Gas Thru Foregrip MR100	SCR046	M4 x 7 (A) Side Picatinny Sight Rail Screw
GRP004	Rubber Grip Cover 12 (black)	SCR048	Feed Neck Clamp Screw & Nut
HSE003	Disconnect Hose 8.5"	SCR049	M4 x 8 Feed Neck Screw (+)
HSF004	Plastic Washer	SER002	Sear (semi)
HSF006	Male to Male Adapter (MET x MET)	SPR008	Sear Spring (semi)
HSF011	Metric Female to Standard Male Adapter	SPR011	Trigger Spring (semi)
ITP015	C/A Adapter Screw Nut	SPR024	Valve Spring MR100
ITP023	Eko™ Cup Seal	SPR025	Striker Spring 110.mm
ITP025	Eko™ Valve Body	STB002	Striker Bolt
ITP026	Eko™ Valve Pin	STF001	Striker Buffer
LPC080	Reservoir Plug MR100 (diamond black) (semi)	STK019	Top Cocking Knob MR100 (semi)
ORG001	Striker O-ring #14.3 1.7 70pu	STK020	Side Picatinny Sight Rail
ORG002	O-ring #15 80	STP046	Striker Plug Threaded (diamond black)
ORG003	Barrel O-ring #22 1.5 80	TRF004	Metal Trigger Frame
ORG004	O-ring #11 80	TRS003	Double Trigger (semi)
ORG008	O-ring #10 80	VBT003	Delrin Bolt Locking Bearing
*PAK080	MR100 Spare Parts Kit	VBT004	Delrin Bolt Locking Spring
REC080	MR100 Receiver (diamond black)	VBT013	Delrin Bolt Locking Screw
REC081	MR100 Receiver (olive green)	VBT080	Delrin Bolt w/O-ring & Locking Knob (semi)
RPNO04	Trigger Roll Pin (large)	VTA046	Velocity Adjuster & Spring Guide (diamond black)
RPNO05	Sear Roll Pin (med)	*31232	Adjustable Car Shoulder Stock
RPNO06	Secondary Roll Pin (small)		
RPNO16	Quick Disconnect Pin		

\* Item Not Pictured (+) Cross-head Screw (A) Allen-head Screw