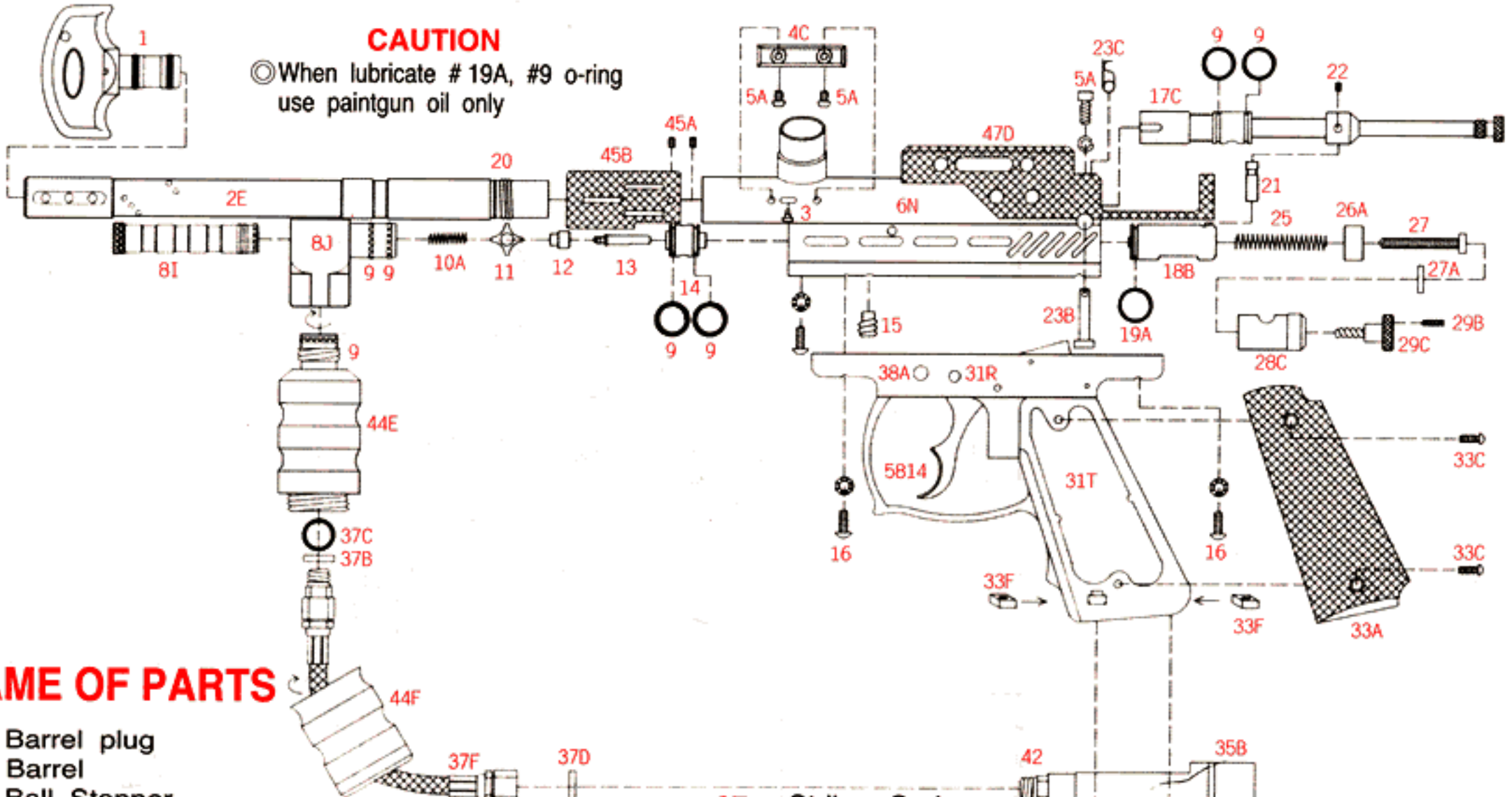


# Spyder TL Plus

**CAUTION**  
 ☉ When lubricate # 19A, #9 o-ring use paintgun oil only



## NAME OF PARTS

- |                            |                                |                                      |                                         |
|----------------------------|--------------------------------|--------------------------------------|-----------------------------------------|
| 1. Barrel plug             | 16. Screw M5×12 with washer    | 27. Striker Spring Guide             | 37D. Plastic Washer                     |
| 2E. Barrel                 | 17C. Real cocking Venturi Bolt | 27A. Flat Disc                       | 37F. Disconnect Hose                    |
| 3. Ball Stopper            | 18B. Striker                   | 28C. T-Striker Plug                  | 38A. Safety Button                      |
| 4C. Detent Cover           | 19A. Striker O-ring            | 29B. Lock Screw                      | 42. Male to Male Adaptor                |
| 5A. M4×6 Screw             | 20. Barrel O-ring              | 29C. Thumb Adjuster                  | 44E. Model S Expansion Chamber          |
| 6N. Receiver               | 21. Bolt Pin                   | 31T. Frame & Double Trigger Assembly | 44F. Mini Fore Grip                     |
| 7. M5×14 Screw with Washer | 22. Bolt Screw                 | 33A. 45 Grip Cover                   | 45A. M4×4 Shroud Screw                  |
| 8I. Low Pressure Chamber   | 23B. Quick Disconnect Pin      | 33C. 45 Grip Cover Screw             | 45B. Shroud                             |
| 8J. Vertical Adapter       | 23C. Disconnect Pin Lock       | 35B. C/A Adaptor                     | 47D. Deluxe Sight Rail with Beaver Tail |
| 9. O-ring # 015 80D        | 25. Striker Spring             | 36C. 5/32"×7/8" Screw with Washer    |                                         |
| 10A. Valve Spring          | 26A. Striker Buffer            | 37B. Filter                          |                                         |
| 11. Cup Seal Guide         |                                | 37C. O-ring #011                     |                                         |
| 12. Cup seal               |                                |                                      |                                         |
| 13. Valve pin              |                                |                                      |                                         |
| 14. Valve Body             |                                |                                      |                                         |
| 15. Valve Body Screw       |                                |                                      |                                         |