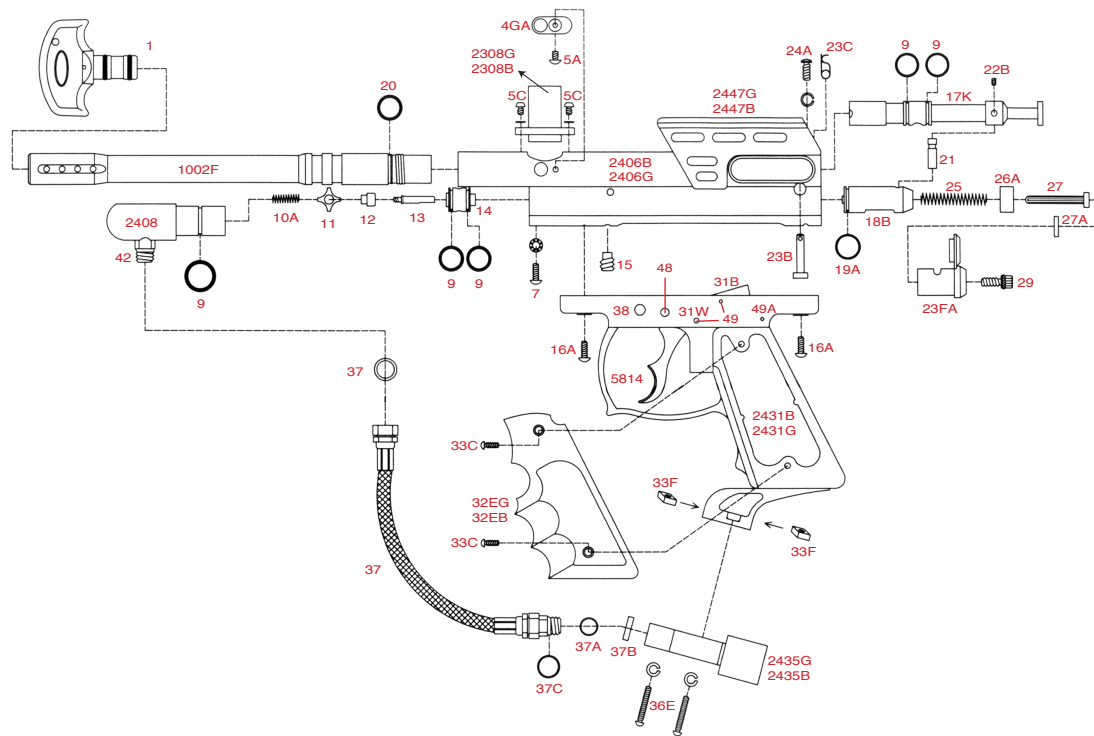


CO2/HP AIR TANK WARNING



- VALVES MUST BE INSTALLED OR REMOVED ONLY BY QUALIFIED PERSONNEL.
- BOTTLE MUST BE RETESTED SEE CO2/HP TANK LABEL FOR RETEST DATE!
- Improper use, filling, storage or disposal of this cylinder may result in death, personal injury and property damage.
- This cylinder must be filled only by properly Trained personnel in accordance with CGA Pamphlets P.1 and G-6.3 available from the Compressed Gas Association WWW.CGANET.COM
- Do not over pressurize. Do not expose pressurized cylinder to temperatures in excess of 130 degrees F.
- Do not expose cylinder to corrosive materials and do not clean with caustic cleaners.
- Do not alter this cylinder in any way.
- Cylinders heated to a temperature of 250 degrees F or more must be condemned or requalified in accordance with test defined in CFR-49.
- Keep cylinder out of reach of children.
- The valve should NEVER be detached from the canister. Should this occur, please seek assistance from a trained airsmith immediately.
- This tank is intended for paintball use only.



Item #	Name of Parts
24A	Sight Rail Screw
25	Striker spring
26A	Striker buffer
27	Striker spring guide
27A	Flat disc
23FA	Striker plug (silver)
29	Velocity Adjust Screw
2431B	Deluxe Trigger Frame (blue)
2431G	Deluxe Trigger Frame (green)
31B	Sear
33C	Grip Cover Screw
2435G	C/A adapter (green)
2435B	C/A adapter (blue)
33F	Nut Screw
36D	Screw 5/32" x 5/8" w/ washer (black)
36E	Screw 5/32" x 7/8" w/ washer (black)
37	Disconnect Hose
37A	Filter O-ring
37B	Filter
37C	#011 O-ring
37D	Plastic Washer
38	Safety button
42	Male to Male Adapter
2447G	Sight Rail (green)
2447B	Sight Rail (blue)
2441	Spare Parts Kit
5814	Double Trigger
48	Trigger Roll Pin
49	Sear Roll Pin
49A	Secondary Sear Roll Pin

SPYDER VICTOR

Item #	Name of Parts	Item #	Name of Parts
1	Barrel Plug	2406G	Victor Receiver (green)
1002F	9" Barrel (silver)	2408	Victor Reservoir Plug (silver)
04GA	Detent Cover w/ ball bearing & Spring (black)	9	O-ring #015 80D
2308G	Direct Feed (green)	10A	Valve spring
2308B	Direct Feed (blue)	11	Cup seal guide
5A	M4 X 6 Screw (black)	12	Cup seal
05C	Direct Feed Screw (silver)	13	Valve pin
7	M5 X 14 Screw w/ washer	14	Valve body
2406B	Victor Receiver (blue)	15	Valve body screw

Item #	Name of Parts
16A	M5 x 12.5 Screw
17K	Venturi bolt
18A	Striker
19A	Striker o-ring
20	Barrel o-ring
21	Bolt pin
22B	Bolt screw
23B	Quick Disconnect Pin
23C	Disconnect Lock Pin