

1. Tank O-Rings 015-90U-RED

2. Bonnet: NINJA421B (brass)
NINJA421A (alum.)

3. Bonnet Screws*

4. Pin Valve Seat***

5. Pin Valve**

6. Pin Valve Spring**

7. Piston O-Ring*

8. SRT Piston*

9. Piston O-Ring*

10. Reg. Seat*

11. Thin Pressure
Adjustment Shims*

12. Thick Pressure
Adjustment Shims (red)*

13. Main Springs
NIJAMDW3537

14. Low Pressure
Burst Disk: 1800BDBLK

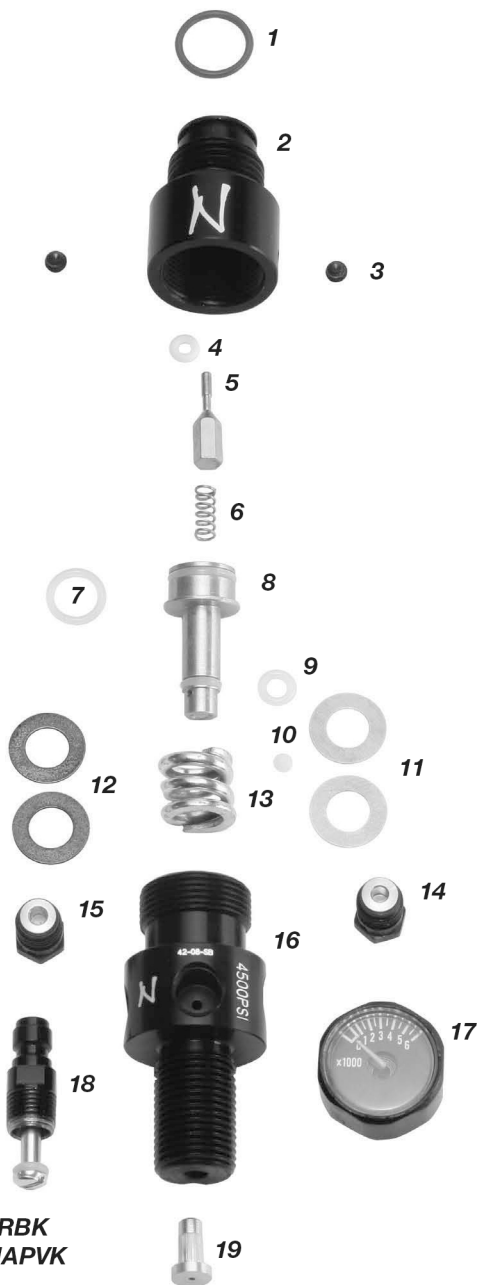
15. High Pressure Bottle
Burst Disk:
5000BDBLK
(for 3K systems)
7500BDBLK
(for 4.5K systems)

16. Gas Distribution Body:
FACTORY ONLY

17. Gauge NINJAGAUGE

18. Mini Fill Valve:
NINJAMFV

19. Restrictor:
FACTORY ONLY



* Included in rebuild kit; NINJARBK

** Included in pin valve kit; NINJAPVK

*** Included in both kits