



INVERT HALO™ B & INVERT HALO™ V35
PAINTBALL LOADING SYSTEMS MANUAL



WARNING: PAINTBALL GUNS AND PAINTBALL GUN ACCESSORIES ARE NOT TOYS

- Careless use or misuse may result in serious bodily injury or death!
- Eye protection designed for paintball must be worn by the user and all persons within range.
- Not for sale to persons under 18 years of age.
- Must be 18 years of age or older to operate or handle any paintball gun and paintball gun accessories without adult of parental supervision.
- Read and understand all cautions, warnings, and operating manuals before using any paintball gun or paintball gun accessory.
- Do not aim paintball gun at eyes or head of people or at animals.
- Paintball guns are to be used with .68 caliber Paintballs Only
- To prevent fire or shock hazard, do not expose unit to rain or moisture.
- To prevent fire or shock hazard, do not immerse unit in liquids.
- To prevent fire or shock hazard, do not disassemble any electronic paintball device.
- The disposal of the battery used to power this product may be regulated in your area. Please conform to all local or state regulations with regard to battery disposal.
- Use Common Sense and have fun.

Any tampering with the unit voids your warranty. The use of non-factory authorized components within this product may cause a fire or shock hazard and will void your warranty. IN NO EVENT SHALL SELLER BE LIABLE FOR ANY DIRECT, INCIDENTAL OR CONSEQUENTIAL DAMAGES OF ANY NATURE, OR LOSSES OR EXPENSES RESULTING FROM ANY DEFECTIVE PRODUCT OR THE USE OF ANY PRODUCT.

FOR MANUALS IN OTHER LANGUAGES (WHERE APPLICABLE), GO TO: PAINTBALLSOLUTIONS.COM

This product may be covered by one or more of the following patents: 5,954,042; 6,109,252; 6,213,110; 6,701,907; 6,792,933; 7,343,909; GB2322438. © All Rights Reserved.

Page Section

4	Introduction
4	Specifications
5	HALO™ Authorized Upgrade Accessories
6	Getting Started
6	Battery Installation
7	Attaching the Loader
7	Loading Paintballs
7	Activating the HALO™
7	Powering ON (HALO™ B models)
7	Powering ON (HALO™ V35 models)
7	Powering the Loader OFF
8	Programming the Speed (HALO™ V35 models)
9	HALO™ Z-Code Explained
9	Rip Drive™ Operation
9	General Care
9	Emptying the Loader for Storage
10	Remove the Batteries
10	Cleaning the Loader
10	Loader Disassembly
11	Body Disassembly
11	Drive Disassembly
12	Reassembling Loader
12	Drive Assembly
14	Body Assembly
15	Replacement parts list

Page Section

16	Halo B Parts Diagram/ List
18	Halo v35 Parts Diagram/ List
20	Troubleshooting Guide
22	INVERT HALO™ Warranty
24	Warranty Card



Introduction

Thank you for purchasing a HALO™ series Electronic Paintball Loader. The HALO™ Belt Drive Electronic Paintball Loader is one of the world's fastest responding paintball loaders. The HALO™ series Electronic Paintball Loaders use a spring-driven, true force-feed mechanism which not only keeps the paintball stack intact at all times, but also provides instantaneous acceleration when a ball is needed. The infrared sensor system monitors the motion (acceleration and deceleration) of the ball stack and keeps the drive spring wound. The faster you shoot, the faster your HALO™ feeds.

Specifications

- 20+ balls per second (HALO™ B model)
- Up to 35 balls per second (HALO™ V35 model)
- Rip Drive™ manual backup (Optional accessory)
- Ultra-quiet Belt drive
- Spring-loaded drive cone
- Computer controlled
- Reflective sensor technology
- Reinforced feed neck design
- Impact-resistant Polycarbonate shell
- 180 paintball capacity
- Low battery indicator
- 1 hour auto-off
- Uses 6- AA batteries
- 20,000 rounds per battery change
- 1 year limited warranty

HALO™ Authorized Upgrade Accessories

Sku # Description

38875 HALO™ Rip Drive™ Kit – Manual backup system

28904 HALO™ V35 Board – 6-Speed Programmable up to 35 balls per second

38876 HALO™ S4 Drive Cone Kit – More gentle feeding action

38665 HALO™ Aluminum Rip Drive™ Wheel – Sturdy for fast-paced action

38936 Empire™ Freeway™ Anti-Jam – Smooth feeding reduces popcorning and feeds Reballs

38925 Empire™ Magna Drive™ Upgrade Kit – Clutch system to feed ultra-fragile paintballs

38924 Empire™ Reloader™ B2 Upgrade Kit – Sound activation for increased reliability

38929 Empire™ RF Loader Board Kit – Wireless RF activation for advanced reliability

38926 Empire™ RF Transmitter Link Kit – For use with the Empire RF Loader Board Kit

Getting Started

Battery Installation - Unscrew the battery door screw with a Phillips screwdriver and remove the battery door. Remove the battery holder and install six AA type Alkaline batteries into the holder following the polarity markings on the holder. It may be necessary to wrap tape around the battery holder to prevent batteries from coming out during rough play. With the front of the loader pointing straight up, replace battery holder bottom-first, with the wires going to one side and the connector at the right side of the top of the battery holder, otherwise the battery holder will not fit properly and the battery door will not fully seat against the shell. Replace battery door and be sure it seats easily against the shell before tightening the battery door screw. Do not overtighten the battery door screw.



Figure 1

Note:

- 1) (Figure 1) The battery wire connector is a 9V-type connector, but 9V batteries do not have sufficient power for the HALO™. Only use 6- AA batteries installed in the supplied battery holder.
- 2) *NEVER* use rechargeable packs in place of the supplied 6- AA battery holder. The HALO™ electronic components are not designed to handle the high output of rechargeable packs. The use of rechargeable packs poses a fire hazard and risk of injury, and will void your warranty.
- 3) Do not use rechargeable AA batteries. Rechargeable batteries have less voltage than alkaline batteries and do not provide enough power for the HALO™ to work properly.
- 4) *NEVER* attempt to modify the electronic components, wiring, or battery connector. Doing so poses a fire hazard and risk of injury, and will void your warranty.

Attaching the Loader - Insert the loader's feedneck into the marker's feedneck. A loader elbow or clamping-type feedneck may be required. Do not overtighten the loader elbow or clamping-type feedneck. It may be necessary to lightly sand down the loader's neck in order for it to fit into your marker's feedneck.

Loading Paintballs - Press up on the bottom edge of the lid to open. After loading paintballs, be sure the lid is securely closed to prevent spilling paintballs.

Activating the HALO™

Powering the Loader ON - HALO™ B model- Press and release the power button on the backplate. The LED will then blink green and the motor will begin spinning to wind the drive cone spring and load the ball stack.

HALO™ V35 model - Press and release the power button on the backplate. The LED will then blink green the number of times to indicate the speed setting, then the motor will begin spinning to wind the drive cone spring and load the ball stack.

Powering the Loader OFF - Press and hold the power button on the backplate. The LED will then go red, and you may release the button and the loader will turn OFF.

- 1) When first turned ON, the motor will continue to spin until the ball stack is full. If no paintballs are present, the loader will turn OFF after 2 minutes.
- 2) The loader will turn off after 1 hour of no activity if the ball stack is full but no paintballs are being fed.

Programming the Speed (HALO™ V35 models only)

To enter programming mode, while the loader is OFF, press and hold the power button for 5 seconds and the LED begins to flash. Release the button. The LED will flash the current speed selected in green followed by one red flash to indicate the end, then repeat. After 10 seconds of no activity, the loader will exit programming mode and turn OFF. The default speed is Speed 3.

Speed 1	17 BPS
Speed 2	21 BPS
Speed 3	24 BPS
Speed 4	28 BPS
Speed 5	32 BPS
Speed 6	35 BPS

Once in programming mode, each time the button is pressed the program advances 1 speed setting. Press the button once for each advancement desired. Once at Speed 6, an additional button press will cycle the speed setting around to Speed 1 again. After each button press, the LED will begin flashing the new speed setting. When you have advanced to the setting you would like, do not press the button any further and after 10 seconds of no activity the loader will exit programming mode and turn OFF.

EXAMPLE - If you are in Speed 3 and you press the button 2 times, you will now be in Speed 5. If you are in Speed 5 and you press the button 3 times, you will now be in Speed 2.

Note:

Disconnecting the batteries will reset the speed setting back to default, which is Speed 3.

HALO™ Z-Code Explained

Your new HALO™ series Electronic Paintball Loader control board includes Z-Code, which is a jam detection circuit that determines when an internal jam occurs. It then initiates a jam clearing sequence which attempts to clear the jam 3 times before changing to a fail safe mode, which stops the motor to protect the motor and circuitry from being damaged. The fail safe mode will be indicated by an alternating red/green LED sequence until the loader is turned OFF.

Rip Drive™ Operation (May not be installed on all models)

The Rip Drive™ is the thumbwheel located under the HALO™ and has several uses:

- 1) Manually pre-tension up to 10 paintballs into your marker for every revolution of the thumbwheel. This can be done to chronograph your marker without the need to turn on the loader, or to feed paintballs if your batteries should happen to die during a game.
- 2) Clear a ball jam in your loader during a game by rotating the Rip Drive™ counter-clockwise (as viewed from beneath) to clear the jam, then clockwise again to pre-tension the ball stack.
- 3) Load paintballs into your marker if your batteries go dead.
- 4) Remove tension from the ball stack between games.

General care

Emptying the Loader for Storage - With the loader turned off, turn it upside down to empty the paintballs. For models with an installed Rip Drive™, rotate the Rip Drive™ counter clockwise while the loader is upside down to release the paintballs in the ball stack. Do not store your HALO™ with any paintballs remaining inside. General Care continued on next page »

General Care continued:

Remove the Batteries - When storing the loader for an extended period of time, remove the battery pack completely and store in a dry place where it will not come in contact with the loader itself, liquids, or any metal parts.

Cleaning the Loader - To clean the loader, use a clean dry cotton or microfiber cloth, or apply a small amount of water or goggle lens cleaner to a clean cloth. Apply only enough water or lens cleaner to dampen the cloth.

Note:

- 1) DO NOT use glass cleaner or other chemicals on plastics. Glass cleaners and other chemicals deteriorate the plastic.
- 2) Do not use paper towels on the loader shell as paper towels scratch the plastic.
- 3) If any paintballs break inside the loader, DO NOT use any liquids or chemicals to rinse out the loader. Pouring liquids or running water through the HALO™ will destroy the electrical components. If it is necessary to clean the inside of the loader, follow the disassembly instructions.

Loader Disassembly

Note:

- 1) Any damages caused by disassembly or reassembly are not covered under warranty.
- 2) Consult the parts diagram and parts list for assistance during disassembly and reassembly.

Body Disassembly

- 1) Unscrew the battery door screw, then remove the battery door (35) and battery pack (7).
- 2) Loosen and remove all 6 screws from the right side shell, making note of which screws go in which holes.
- 3) Slowly work right side shell (34) straight away from left side shell (33), keeping the drive assembly, circuit board (14) and back plate (15) in the left side shell. If the circuit board or back plate is stuck in right side shell, the on/off button on the circuit board may break off, which destroys the circuit board. If they are stuck in right side shell, use a micro screwdriver to push both components back toward left side shell as you continue to remove right side shell.
- 4) Remove lid (25), lid pin (26), and lid spring (27) to a safe place.
- 5) At the same time, loosen and remove both the circuit board and back plate from left side shell to prevent breaking the board's power button.
- 6) Remove drive assembly from left side shell.

Drive Disassembly

- 1) Remove the tape from the wires as well as the tape from around the feed tube.
- 2) Unscrew the 2 screws holding the upper feed neck (32), then lift off the upper feed neck.
- 3) Unscrew the drive cone screw (17), then lift off the drive cone (19) and the spring housing (31) with drive spring (13).

Drive Disassembly continued on next page »

Drive Disassembly continued:

4) If access to the motor and gears is necessary, remove the e-clip holding the Rip Drive™ Wheel (1) in place then lift off the Rip Drive™ Wheel (for models equipped with a Rip Drive™), then unscrew the 3 screws holding the gear box cover (21) for access to the gear box.

Loader Reassembly

Drive Reassembly -

1) If gear box cover was removed, first make sure motor (28) is fully seated into catch cup (12).

2) Make sure gear pin (23) is seated in the catch cup, as it may have stayed in the gear box cover. Place pulley gear (29) onto gear pin. Then loop the drive belt o-ring (16) from the motor pulley all the way around the pulley gear.

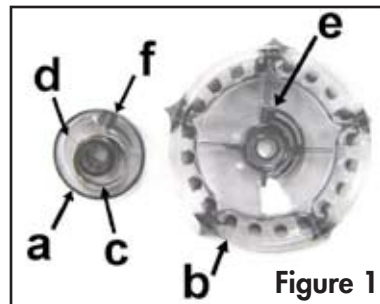
3) Enclose with gear box cover and secure with the 3 screws.

4) For Rip Drive™ models, place the Rip Drive™ Wheel back onto the drive shaft and secure with the e-clip.

5) In the drive area, there should be one e-clip in the shaft which the spring housing rests on.

6) Replace the spring housing with drive spring onto the shaft.

7) (Figure 1) It is very important to reinstall the drive cone properly for correct loader operation. Note the drive tab (e) on the underside of the drive cone (b). The drive tab is used to catch the spring tab (d). With the spring housing (a) and drive spring (c) mounted on the main shaft,



put the drive cone onto the spring housing and rotate the drive cone clockwise until the upper and lower spring tabs hit each other. You should now have both spring tabs pressed together. Lift the drive cone SLIGHTLY and rotate it clockwise up and over the spring housing's tab (f), taking the upper spring tab with it. Snap the drive cone down with the drive spring tab on the right side of the spring housing's tab. While holding the drive cone down, insert and fully tighten the drive cone screw into the main shaft. The drive cone spring is now pre-loaded and will snap back properly when wound up. Check this before continuing.

8) Replace the upper feed neck cover and secure with the 2 screws. Make sure there is no gap between the upper feed neck cover and the catch cup at the area where the sensors install.

9) (Figure 2) Clean the sensors with a dry cloth if necessary. Insert the sensors into the holes in the feed tube, with the orange/yellow wired sensor in the hole on the right, the blue/grey wired sensor going in the hole on the left. Wrap electrical tape neatly 2 times around the feed tube over the sensors to prevent sunlight from interfering with the sensors.

10) (Figure 3) Plug the motor/battery wires and sensor wires back into the board. As viewed in the picture, the motor/battery wires plug into the right side of the board with the red wire to the outside edge, and the sensor wires plug into the left side of the board with the orange wire to the outside edge. The copper contacts of both wire connectors will be facing the top of the board.

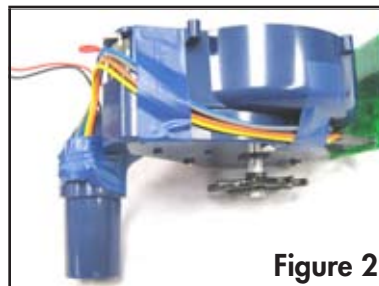


Figure 2

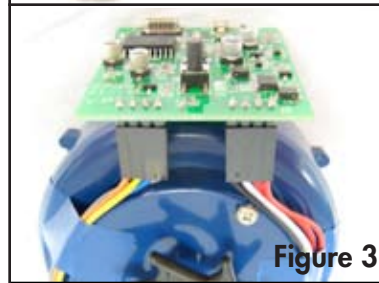


Figure 3

Body Reassembly -

1) (Figure 1) Seat drive assembly back into left side shell. There are 2 tabs on the side of the drive assembly. Be sure that these 2 tabs seat into the slots in the left side shell. Be sure that the sensor wires flow around the side of the drive assembly, and are not in front of the bottom rear hole in the shell, otherwise the body screw will destroy these wires. For ease of reassembly, tape motor/battery wires down onto the upper feed neck cover as shown.

2) (Figure 2) Slide the back plate and the circuit board together into the left side shell to prevent breaking the power button on the board. The shell has a full length groove all around for the back plate, and there are 2 notches in the corners of the cavity for the circuit board to seat into. Be sure circuit board is seated into those 2 notches.

3) Seat Lid, lid spring, and lid pin into left side shell.

4) (Figure 3) Close with right side shell. Make sure back plate enters the upper and lower groove in the right side shell. Make sure motor/battery wires do not get pinched between the shells, and that the battery harness wires pass through the slot in the shell into the battery compartment. Make sure the lid pin enters the hole in the right side shell. Tuck the extra coil of the anti-jam spring under the lip of the right side shell using a small flat-head screwdriver.

5) Insert and gently tighten the 6 body screws. Do not over tighten.

6) Replace battery pack. Cover with battery door and insert and gently tighten the battery door screw.



Figure 1

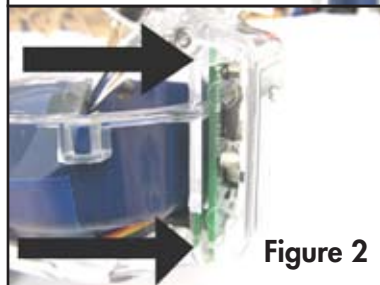


Figure 2

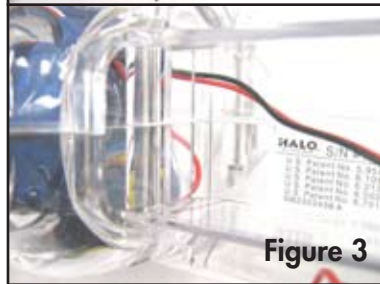


Figure 3

Replacement Parts Kits (See page 5 for HALO™ Authorized Upgrade Accessories)

Sku # Description

38821 HALO™ Drive Housing Plastic – Includes Catch Cup, Gear Box Cover, and Upper Feed Neck Cover

38873 HALO™ Snap-Style Lid Kit – Includes Snap-Style Lid, Lid Pin and Lid Spring (will not fit shells with magnetic-style lid)

38936 Freeway™ Anti-Jam

38871 HALO™ Drive Kit – Includes Drive Cone, Spring Housing, Drive Spring, and Drive Cone Screw

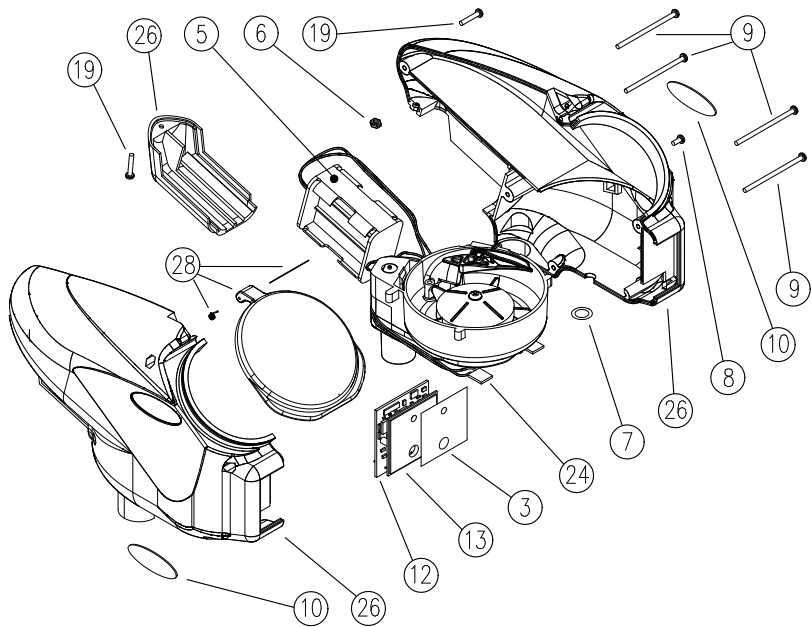
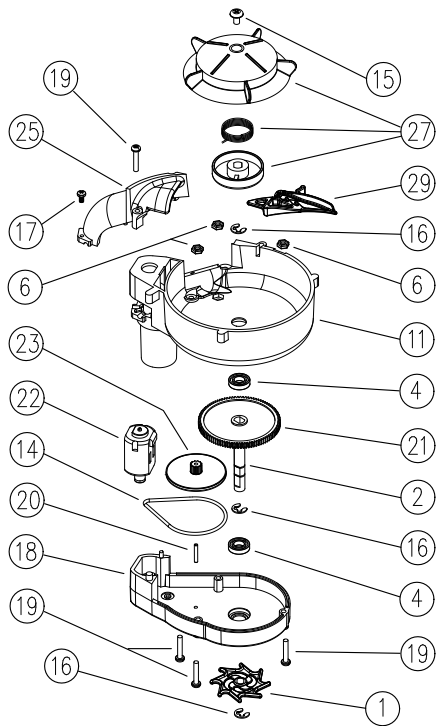
38878 HALO™ Screw Kit – Includes all 6 shell screws, plus 1 battery door screw, and 1 E-Clip

38850 HALO™ Body Kit (Black) – Includes left side shell, right side shell, and battery door (other colors also available)

HALO B

SCHEMATIC & PARTS LIST

REF#	DESCRIPTION	SKU#
1	Rip Drive Wheel (if applicable)	38777
2	Rip Drive Shaft (if applicable)	38778
2	Drive Shaft (non Rip Drive)	38798
3	Halo B Back Plate Sticker	38802
4	Ball Bearing R188	38803
5	Battery Pack - 6 AA	38804
6	Nut 4-40	38805
7	Body Plug (non Rip Drive)	38808
8	Screw 4-40 x 1/4"	38809
9	Screw 4-40 x 2"	38810
10	Halo Bubble Sticker	38812
11	Catch Cup w/nuts	38813
12	Halo B Circuit Board	38815
13	Back Plate	38817
14	Drive Belt O-Ring	38820
15	Screw 6-32 x 1/4"	38822
16	E-Ring	38823
17	Self Tap Screw # 2 x 1/4"	38825
18	Gear Box Cover	38826
19	Screw 4-40 x 5/8"	38827
20	Gear Pin	38828
21	Large Gear	38830
22	Motor with harness	38836
23	Pulley Gear	38837
24	Sensor Harness	38838
25	Upper Feed Neck Cover	38841
26	Body Kit Black (non-magnetic lid)	38850
27	Drive Cone Kit (3-pc)	38871
28	Lid Kit (lid, pin and spring)	38873
29	Freeway Antijam (blk)	38947

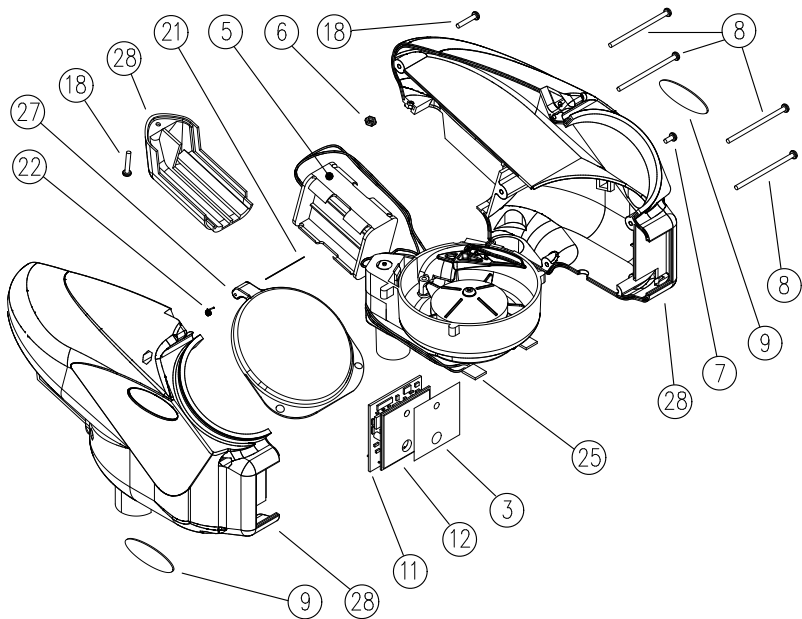
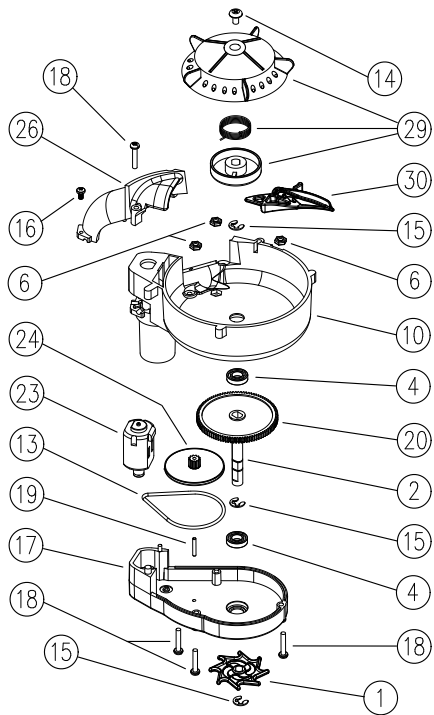


HALO v35

SCHEMATIC & PARTS LIST

REF#	DESCRIPTION	SKU#
1	Rip Drive Wheel	38777
2	Rip Drive Shaft	38778
3	Halo V35 Back Plate Sticker	38691
4	Ball Bearing R188	38803
5	Battery Pack - 6 AA	38804
6	Nut 4-40	38805
7	Screw 4-40 x 1/4"	38809
8	Screw 4-40 x 2"	38810
9	Halo Bubble Sticker	38812
10	Catch Cup w/nuts	38813
11	Halo V35 Circuit Board	28904
12	Back Plate	38817
13	Drive Belt O-Ring	38820
14	Screw 6-32 x 1/4"	38822
15	E-Ring	38823
16	Self Tap Screw # 2 x 1/4"	38825
17	Gear Box Cover	38826
18	Screw 4-40 x 5/8"	38827
19	Gear Pin	38828
20	Large Gear	38830
21	Lid Hinge Pin	38832
22	Lid Spring	38833
23	Motor with harness	38836
24	Pulley Gear	38837
25	Sensor Harness	38838
26	Upper Feed Neck Cover	38841
27	Magnetic Lid	38842
28	Body Kit Black (magnetic lid)	38843
29	S4 Drive Cone Kit (3-pc)	38876
30	Freeway Antijam (blk)	38947

18



Troubleshooting

Note:

1. The HALO™ uses reflective infrared sensors located in the ball stack tube to monitor the acceleration and deceleration of the paintballs being fed. They are not break-beam sensors because the HALO™ is designed to always have a full ball stack ready for your marker, and never have a gap in the ball stack. The HALO™ reflective sensors do not work with black or very dark colored shell paintballs, or paintballs that have half black or very dark colored shells. Only use paintballs with brightly colored shells.

2. The HALO™ requires high quality batteries. Only use fresh, quality name-brand batteries. Lower quality batteries do not provide the power that your HALO™ needs to perform properly.

Loader does not turn on	Batteries may not be installed correctly
	Wire connector may not be connected to battery holder
	Batteries may be low
	Wire connector may not be connected to circuit board or may be connected incorrectly
	Wires may be damaged or broken
	Power button may be broken
Loader turns ON, but does not spin	Paintballs may already be in the feed tube
	Motor wires may be damaged or broken
	Upper feed neck cover is not attached to the catch cup correctly
	Reflective Sensors may be interfered by sunlight
Loader turns ON, does not spin, then goes into fail safe mode (alternating red/green LED sequence)	Batteries may be low
	Motor may be worn out
Loader spins, then goes into fail safe mode (alternating red/green LED sequence)	Paintballs are black shell or very dark shell, or part black shell or very dark shell, and will not work with the HALO
	Bad paintball (odd shape, soft, or enlarged) is jammed in the feed tube
	Reflective Sensors may be blocked by paint or dirt, or not working
	Reflective Sensors may not be connected to the board or are connected incorrectly
	Anti-jam components are not installed correctly or are broken/missing
	Upper feed neck cover is not attached to the catch cup correctly
	Drive Cone is not installed correctly
	Batteries may be low
	Motor may be worn out

During loader operation, fail safe sequence initiates (alternating red/green LED sequence)	Bad paintball is jammed in the feed tube
	Anti-jam components are not installed correctly or are broken/missing
	Reflective Sensors may be blocked by paint or dirt, or not working
	Drive Cone may be installed incorrectly
	Batteries may be low
	Upper feed neck cover is not attached to the catch cup correctly
	Motor may be worn out
Loader spins, but does not feed	Drive Cone spring tab may be broken
	Drive belt o-ring may not be installed correctly or may be broken/missing
Loader feeds slowly or speed is inconsistent	Batteries may be low
	Drive Cone may be installed incorrectly
	Motor may be worn out

INVERT HALO™ LIMITED LIFETIME WARRANTY

INVERT™ Paintball covers defects in materials and workmanship for as long as the product is owned by the original purchaser, subject to the specified terms and conditions found in the complete warranty (specified on paintballsolutions.com). Warranty is only retained if the loader is purchased as new from an authorized retailer. Loaders purchased used are not covered by warranty. Such warranty service will be provided only if the warranty registration card included with this manual is filled in completely and a copy of the original purchase receipt is present at the time of service. All other services will be duly charged over the phone by credit card and shipped UPS. The manufacturer agrees to repair or replace any part which has been found to be defective. The outer shell is not covered under this warranty if it is broken due to misuse, dropped, or collided with another object. Damage to the circuit board due to disassembly of the product is not covered under this warranty. Failure of any part due to an accident, abuse, neglect, modification, loss, normal wear, operator error, maintenance by other than an authorized HALO™ dealer, or use of parts inconsistent with the use originally intended for the marker as sold, is not covered by this warranty. This warranty does not apply to wearable parts such as o-rings, screws, motors, etc. There are no other warranties or guarantees, expressed or implied, made by HALO™ on this loader. The sole and exclusive liability of HALO™ and/or its authorized dealers, affiliates, or agents pursuant to this warranty will be for repair or replacement of the defective part; incidental or consequential damages are expressly excluded hereunder. It is the responsibility of the purchaser to pay for shipping fees of the product to the repair facility during the warranty period.

If you experience any difficulties with operating this product and you have not found the solution in this manual, please call 1-800-220-3222, or visit on the internet at <http://www.paintballsolutions.com>.

In the event that this product is defective and needs repair, call Paintball Solutions. If our customer service department asks for the loader to be sent in for repair, place loader inside a box, along with your name, return address, daytime telephone number, e-mail address, a written description of the problem, completed warranty registration form, and a copy of your original sales receipt. When sending the loader in for service, the loader must consist of all factory stock parts. Loaders with aftermarket parts will not be warranted.

A Return Merchandise Authorization (RMA) is required for service. DO NOT send your product to the address below without first calling to obtain an RMA. Be sure to mark your RMA number clearly in permanent marker on the package. Packages delivered without a valid RMA will be refused.

Paintball Solutions

55 Howard Ave.

Des Plaines, IL 60018

United States of America

1-800-220-3222

<http://www.Paintballsolutions.com>

<http://www.Invertpaintball.com>



800-220-3222

For more information about our limited lifetime warranty please visit www.paintballsolutions.com.

(Warranty Card)

MAIL TO:
Invert Paintball
570 Mantua Blvd.
Sewell, NJ 08080

OWNER INFORMATION:

Your Name: _____

Address: _____

City: _____ State: _____ Zip: _____

Country: _____ Phone: _____

Email: _____

PURCHASE INFORMATION:

Purchased From: _____

City & State: _____ Phone: _____

Model: _____ Serial: _____

24

Invert Paintball
570 Mantua Blvd.
Sewell, NJ 08080
United States of America
<http://www.invertpaintball.com>

