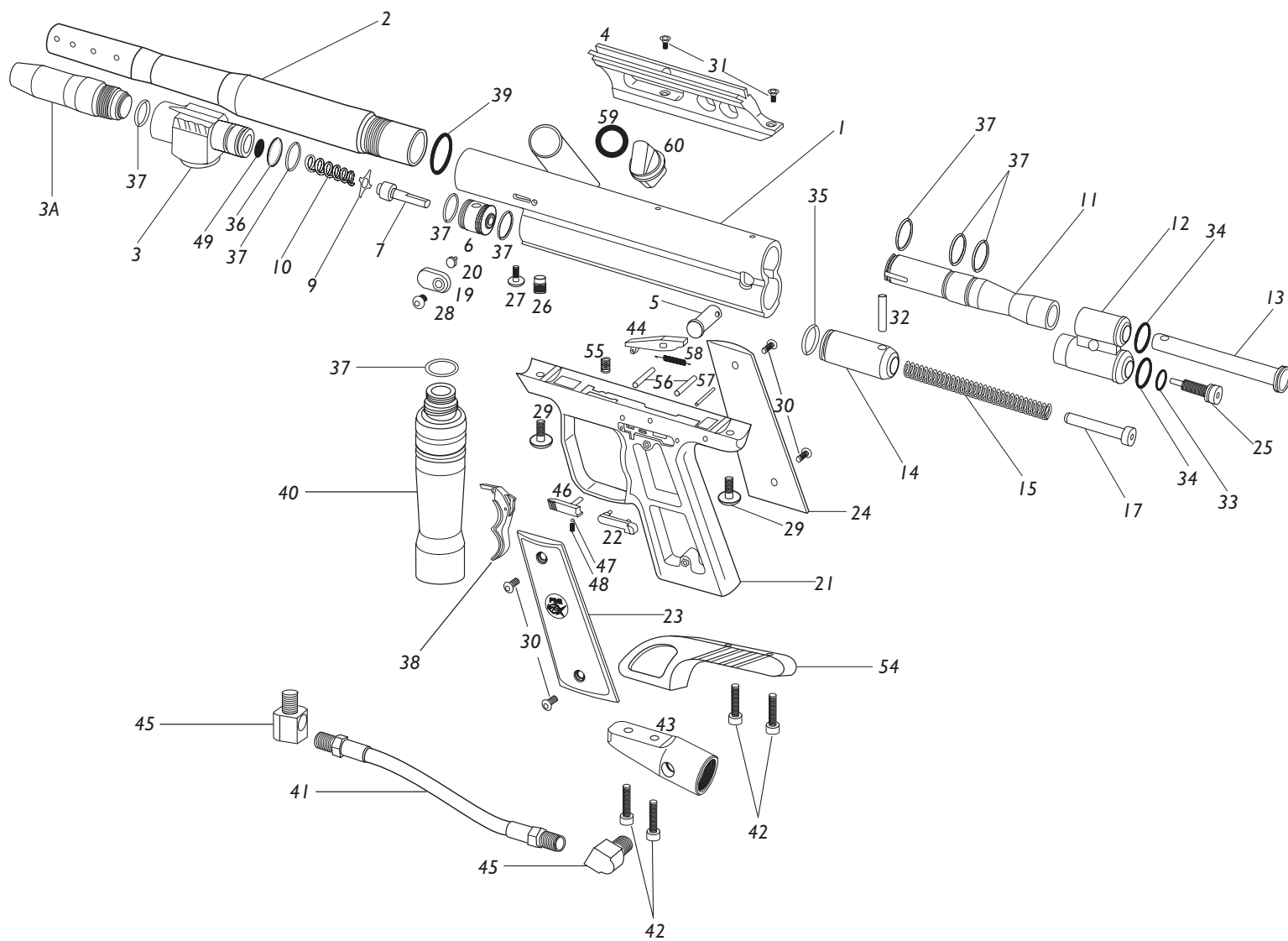


CORE DF 2K3



1. Power Feed Receiver	71207	23. Grip Left	10703	39. Barrel O-Ring	10161
2. Barrel	10124	24. Grip Right	10704	40. Gas Thru Grip	10788
3A. Optimized Pressure Chamber	71530	25. Velocity Screw	10485	41. 6" SS Braided Hose	47013
3. ASA	10785	26. Valve Set Screw	10513	42. Bottom Line SS Screws	42016
4. Sight Rail	10123	27. ASA Screw	10682	43. 10" Bottom Line Adapter	42013
5. Field Strip Pin	10021	28. Ball Detent Screw	10180	44. Sear	10721
6. Valve Body	10510	29. Trigger Frame Screw	70537	45. 90 Elbow	47000
7. Valve Cup Seal Assembly	10127	30. Grip Screws	10782	46. Safety Slide	10711
9. Valve Guide	10520	31. Sight Screw	20010	47. Safety Ball	10730
10. Valve Spring	10550	32. Bolt Pin	10291	48. Safety Spring	10750
11. Bolt	10210	33. Velocity Screw O-Ring	10460	49. Screen Filter	10623
12. Rear Block		34. Rear Block O-Rings	10260	54. Drop Forward	71242
13. Cocking Rod	10211	35. Hammer O-Ring	10361	55. Trigger Spring	10752
14. Hammer	10310	36. ASA O-Ring Rear	10260	56. Sear/Trigger Pin	10766
15. Hammer Spring	10350	37. Bolt O-Ring	41010	57. Sear Spring Pin	10767
17. Spring Guide	10301	37. Valve O-Ring	41010	58. Sear Spring	10753
19. Ball Detent Cap	10101	37. ASA O-Ring Front	41010	59. Powerfeed O-Ring	10162
20. Ball Detent	10160	37. Optimized Pressure Chamber O-Ring	41010	60. Powerfeed Plug	10102
21. Double Trigger Frame Assembly	10052	37. Gas thru Grip O-Ring	41010		
22. Sear Release Slide	10702	38. Trigger	10050		