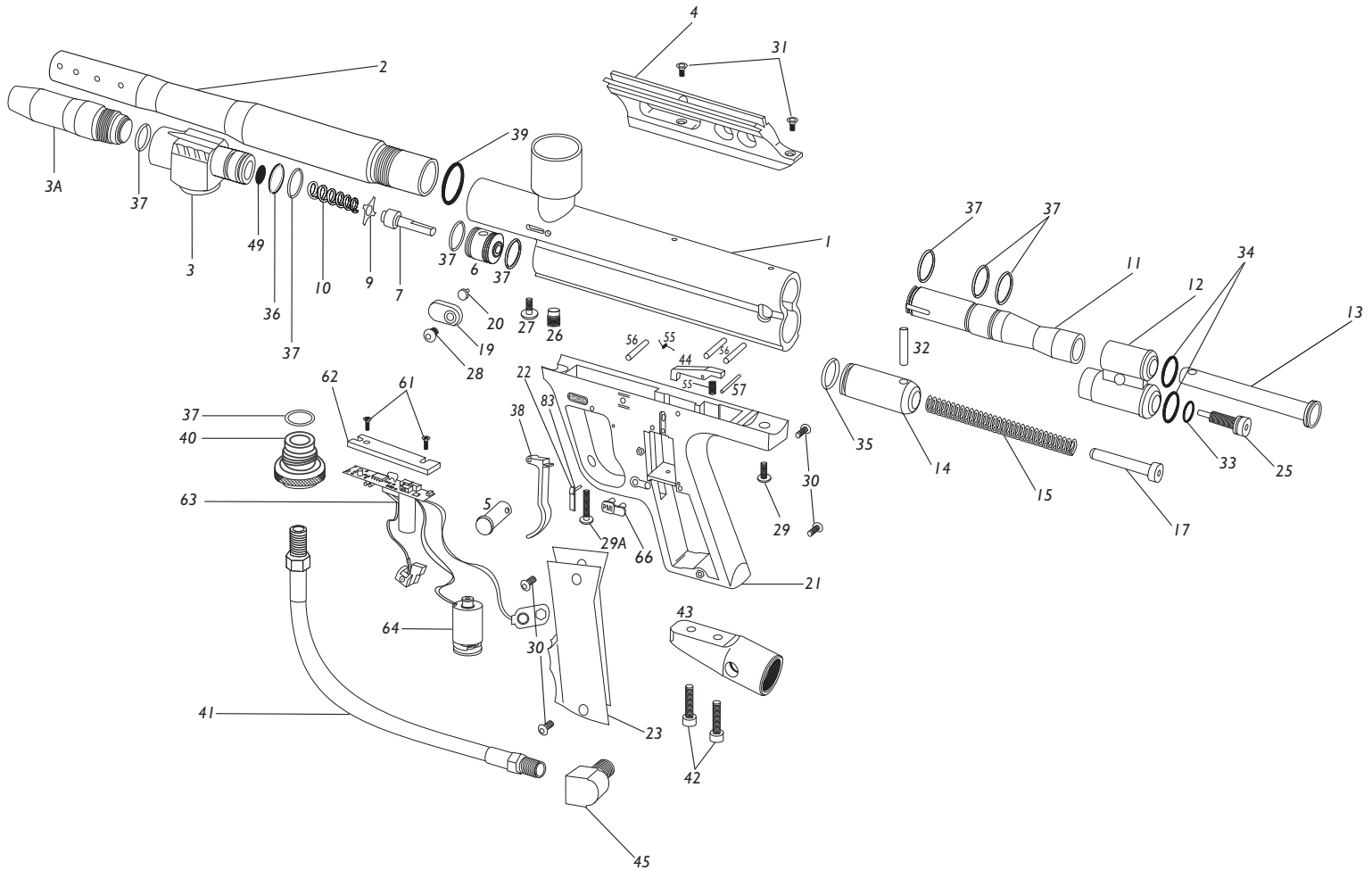


E FORCE BLVF



1. Vertical Feed Receiver	10105	30. Grip Screws	10782
2. Barrel	10124	31. Sight Screws	20010
3A. Optimized Pressure Chamber	71530	32. Bolt Pin	10291
3. Vertical ASA	71520	33. Velocity Screw O-Ring	10460
4. Sight Rail	10123	34. Rear Block O-Rings	10260
5. Field Strip Pin	10021	35. Hammer O-Ring	10361
6. Valve Body	10510	36. ASA O-Ring Rear	10260
7. Valve Cup Seal Assembly	10127	37. Valve O-Ring	41010
9. Valve Guide	10520	37. ASA O-Ring Front	41010
10. Valve Spring	10550	37. Optimized Pressure Chamber O-Ring	41010
11. Bolt	10210	37. Port Reducer O-Ring	41010
12. Rear Block	10405	38. EForce Trigger	71586
13. Cocking Rod	10211	39. Barrel O-Ring	10161
14. Hammer	10310	44. EForce Sear	71591
15. Hammer Spring	10350	45. 90 Elbow	47000
17. Spring Guide	10301	49. Screen Filter	10623
19. Ball Detent Cap	10101	55. EForce Trigger Spring	71587
20. Ball Detent	10160	56. EForce Sear/Trigger Pin	71588
21. EForce Double Trigger Frame Assembly	71584	57. EForce Trigger Spring Pin	71589
22. EForce Sear Release Slide	71585	58. EForce Sear Spring	71590
23. Grip	10703	61. EForce Board Screws	71592
25. Velocity Screw	10485	62. EForce Board Cover	71593
26. Valve Set Screw	10513	63. EForce Electronic Board	71594
27. ASA Screw	10682	64. EForce Solenoid	71595
28. Ball Detent Screw	10180	66. EForce Charge Port Cover	71596
29. Back Trigger Frame Screw	71583	83. EForce Sear Release Slide C-Clip	71578
29A. Front EForce Trigger Frame Screw	71582		