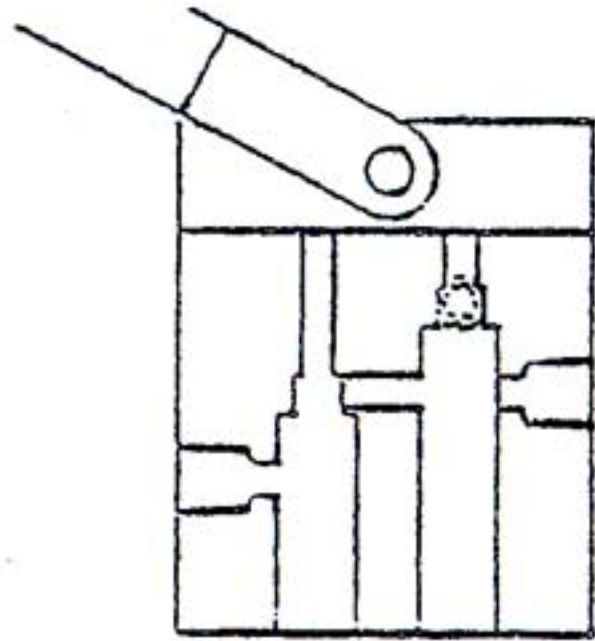
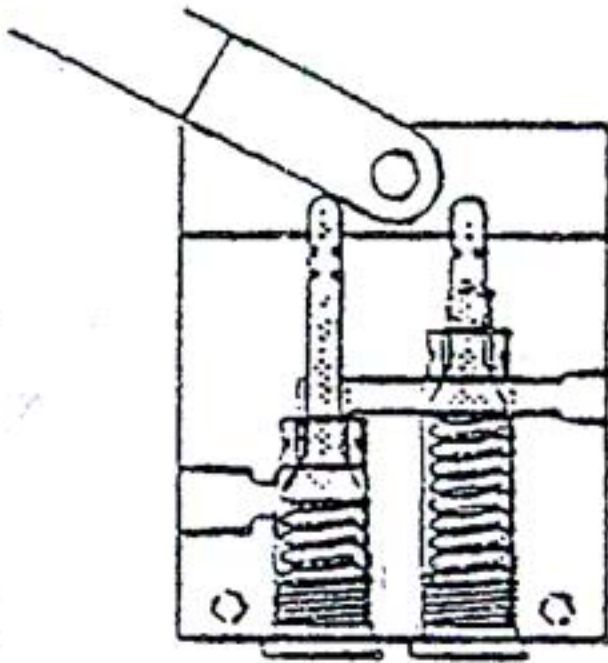


# MK2 VERSION



- 1 - Valve Seat
- 2 - Inlet Valve
- 3 - Output Valve
- 4 - Inlet Return Spring
- 5 - Outlet Return Spring.
- 6 - Cavity Plug
- 7 - Spring Guide

A - "O" Ring

B - "O" Ring

C - "O" Ring

