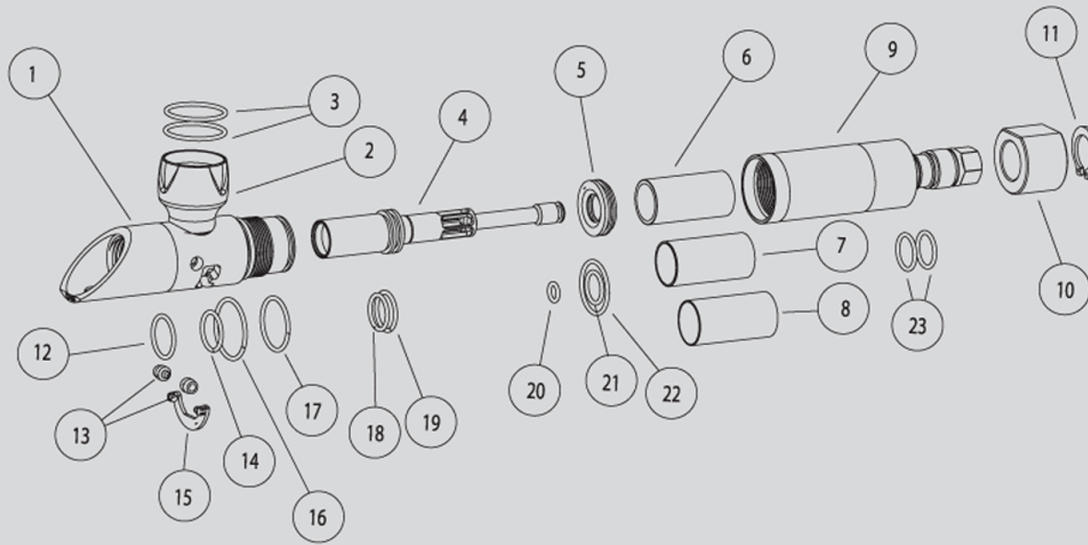




FIG. 18

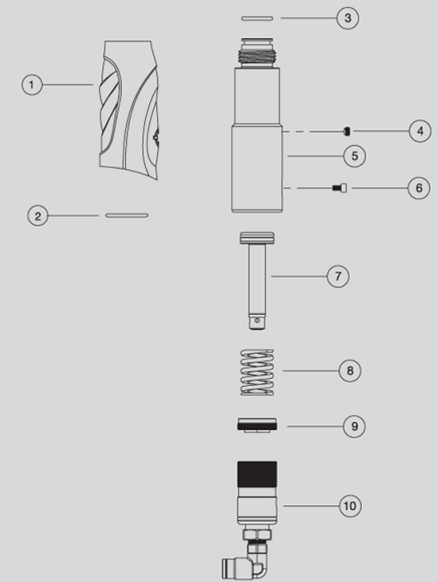
→ INNER BODY ASSEMBLY



- 1 EPY102–Epiphany Body Breech
- 2 EPY103–Epiphany Feed Tube
- 3 ORN02552070BU – Feed Tube Friction O-rings
- 4 ION209–Fire Bolt
- 5 ION111 – Bolt Stop
- 6 EPYINTS–Small Epiphany Insert (Silver)
- 7 EPYINTM–Medium Epiphany Insert (Blue)
- 8 EPYINTL–Large Epiphany Insert (Green)
- 9 EPY104–Epiphany Fire Chamber
- 10 ION110–Swivel Donut
- 11 CLP004–Donut Clip
- 12 ORN01790UR–SFT O-Ring
- 13 ION108–Ball Detent (2x)
- 14 ORN01770HN–Rear Breech O-Ring
- 15 ION117UPRVSN–Break-Beam Vision Board
- 16 ORN02270BU–Body Breech Friction O-Ring
- 17 ORN02070BU–Body Breech Seal O-Ring
- 18 ORN01590CUR–Firebolt Bumper
- 19 ORN0162070HN–Firebolt Middle O-Ring
- 20 ORB01070UR–Firebolt Rear O-Ring
- 21 ORN01470UR–Bolt Stop Inner O-Ring
- 22 ORN02070BU–Bolt Stop Outer O-Ring
- 23 ORN01570BU X–Swivel Donut O-Rings (2x)

FIG. 21

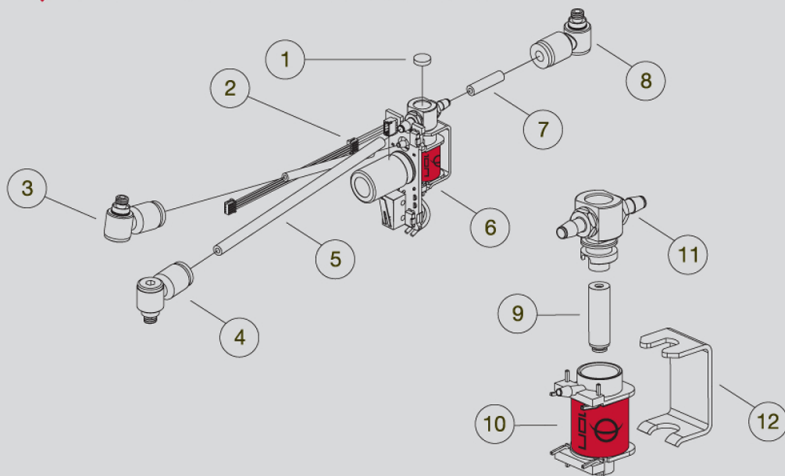
→ REGULATOR



- 1 ERG106BLK – Epiphany Reg Cover (Black Accent)
- 2 ORN02270BU – Epiphany Reg Cover Friction o-ring
- 3 ORN01590UR – ASA o-ring
- 4 SCR1032X125SCO – Lock Screw
- 5 IRG101 – Epiphany Regulator Body
- 6 SCR10440X0188CO – Safety Screw
- 7 IRG105ASM – Piston Assembly
- 8 SPR030 – Epiphany Reg Spring
- 9 IRG102 – Spring Platform
- 10 IRG104ASM – Pressure Adjuster Cap

FIG. 20

→ SOLENOID EXPLODED VIEW



- 1 BUM006 – Foam Disk
- 2 ION118 – Vision Wiring Harness
- 3 ELB1032X18PTCBNJ – Banjo Fitting
- 4 ELB1032X532PTCBNJ – Banjo Fitting
- 5 HOS4MMBLK4025 – Black Epiphany Hose
- 6 EPY117LOVUSASM – Epiphany Circuit Board
- 7 HOS4MMBLK875 – Black Epiphany Hose
- 8 ELB1032X532PTCBNJ – Banjo Fitting
- 9 Armature
- 10 SOL3UPG – Epiphany Solenoid Coil
- 11 Solenoid Head
- 12 Solenoid Bracket