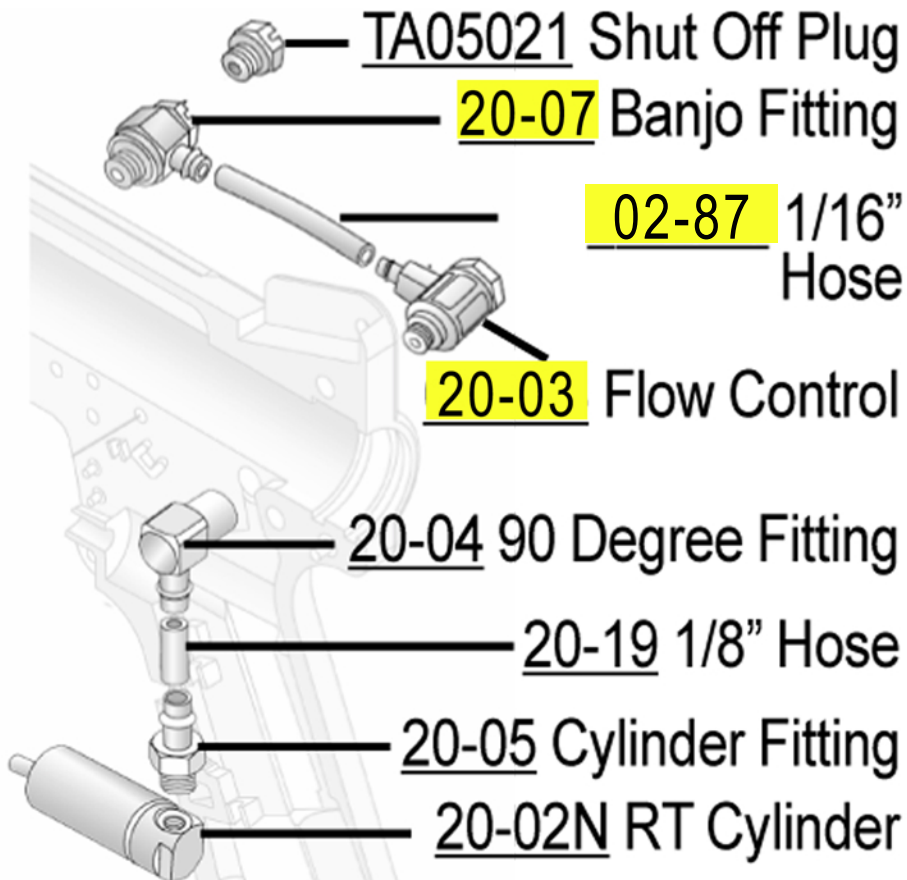
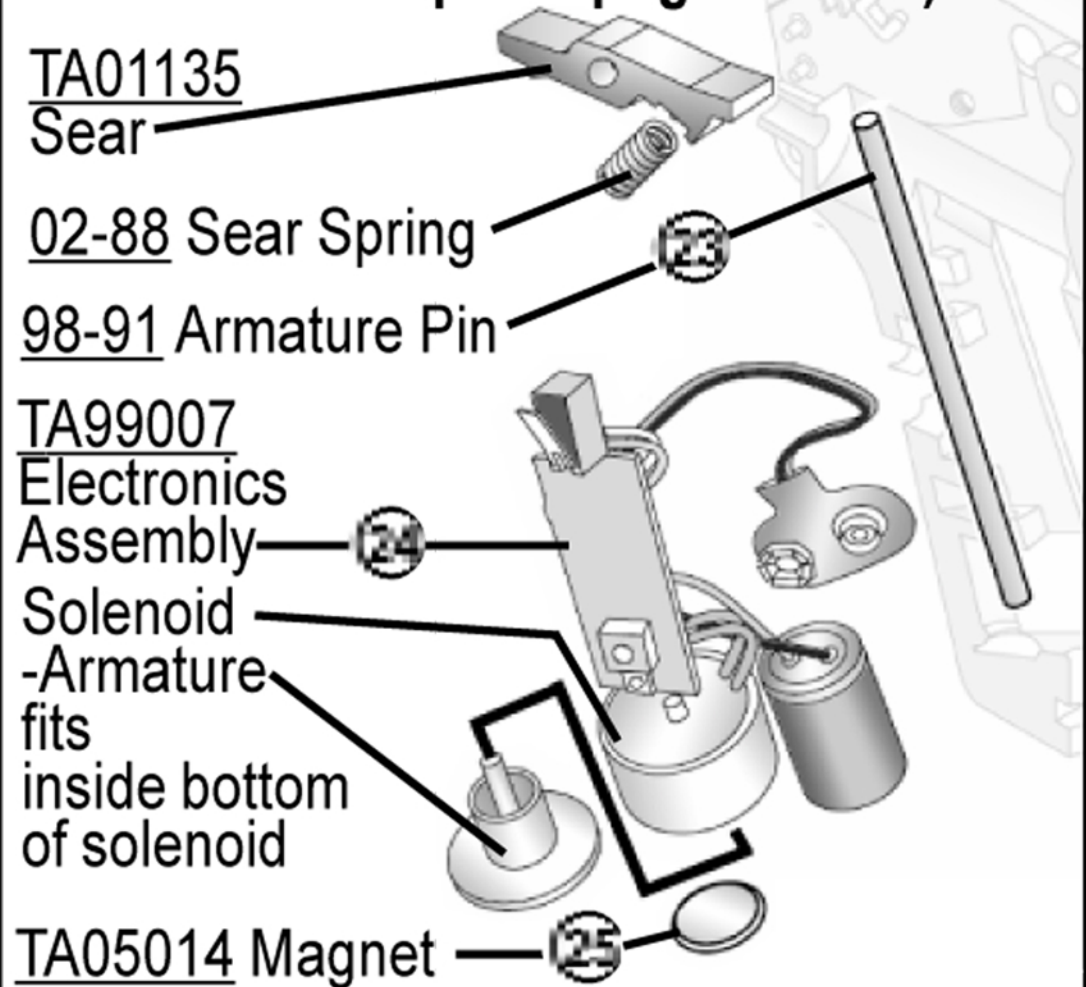


**Model Specific RESPONSE™ Parts Not Shown on parts pages 14-19).**



**Model Specific E-Trigger™ Parts Not Shown on parts pages 14-19).**



Triggers for E-Grips do NOT require slide, spring, or pins.