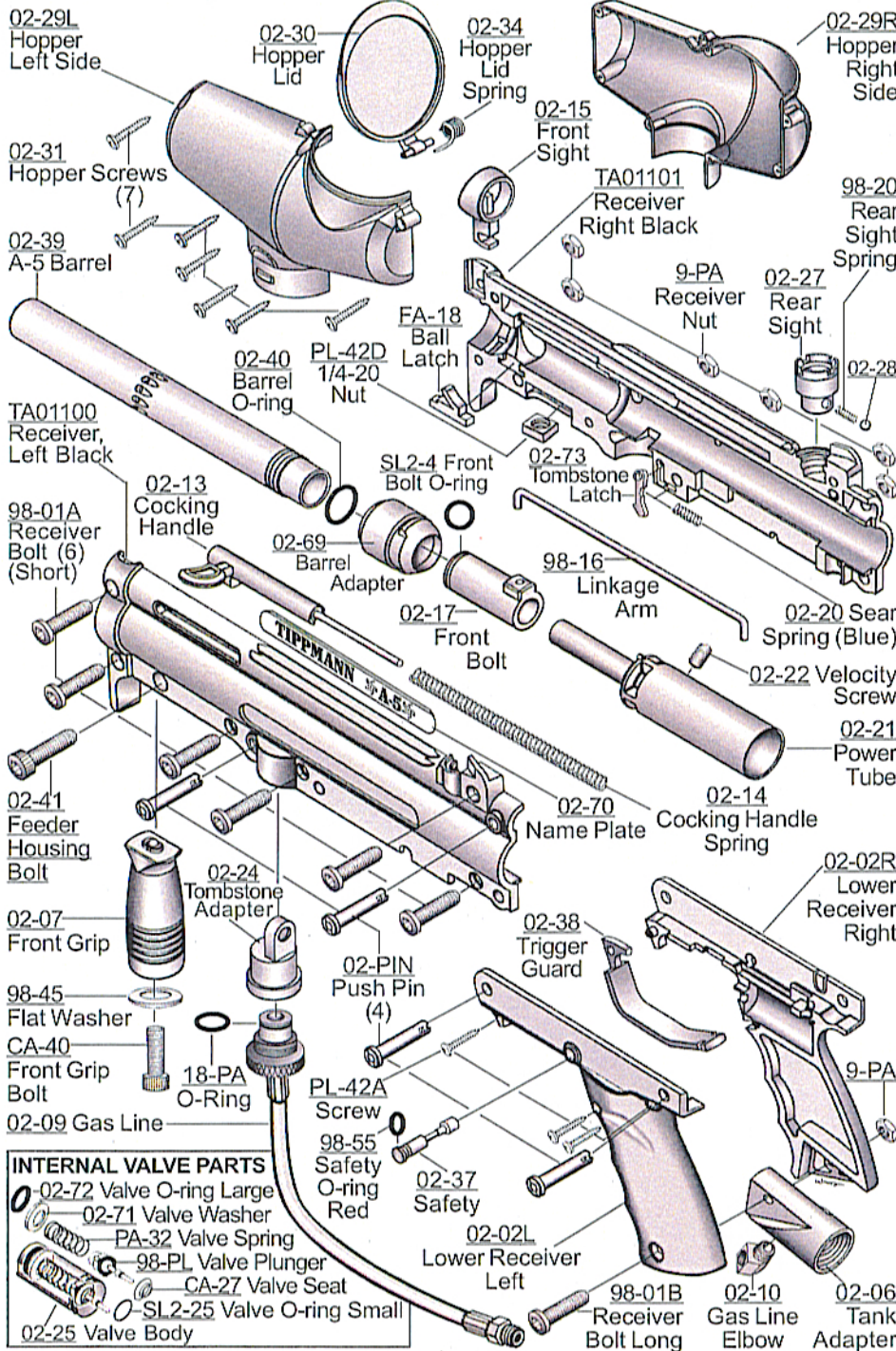


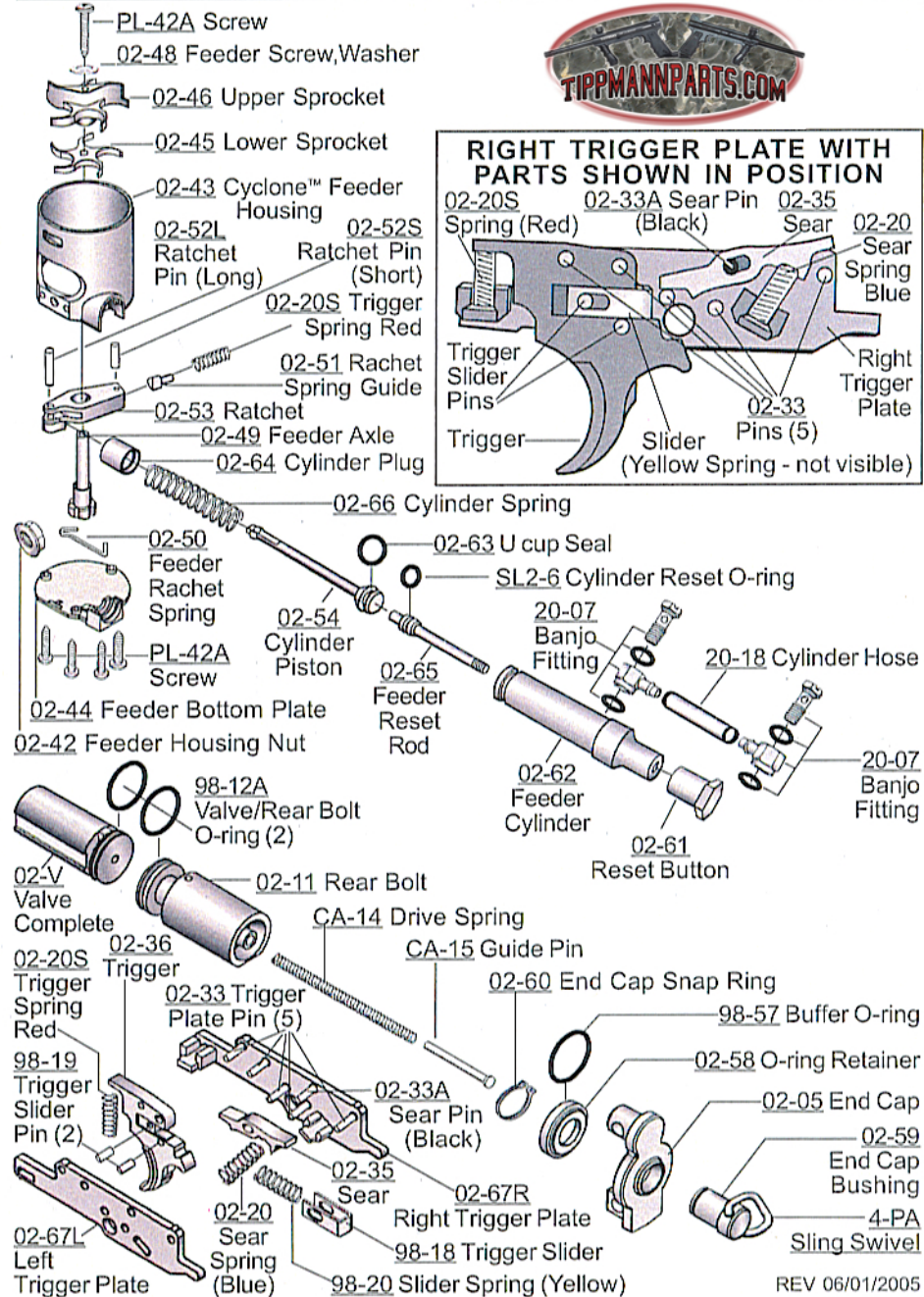
A-5™ Parts List



INTERNAL VALVE PARTS

- 02-72 Valve O-ring Large
- 02-71 Valve Washer
- PA-32 Valve Spring
- 98-PL Valve Plunger
- CA-27 Valve Seat
- SL2-25 Valve O-ring Small
- 02-25 Valve Body

WARNING
DO NOT FIELD STRIP OR OTHERWISE DISASSEMBLE THIS MARKER WHILE IT IS PRESSURIZED WITH AIR.



RIGHT TRIGGER PLATE WITH PARTS SHOWN IN POSITION

- 02-20S Spring (Red)
- 02-33A Sear Pin (Black)
- 02-35 Sear
- 02-20 Sear Spring Blue
- Trigger Slider Pins
- Slider (Yellow Spring - not visible)
- 02-33 Pins (5)
- Right Trigger Plate