

**A-5 FLATLINE
BARREL SYSTEM
INSTALLATION
INSTRUCTIONS**



TIPPMANN

PNEUMATICS, INC.

For Free Installation
contact Tippmann
Pneumatics Service
Department at
260-749-6022

WARNING: DO NOT field strip or otherwise disassemble this gun while it is pressurized with gas.
Disassembling the receiver while under gas pressure will cause personal injury &/or damage to the gun.
Remove CO² cylinder or CO² cartridge before doing any disassembly.

INSTALLING THE A-5 FLATLINE BARREL SYSTEM

READ EACH STEP COMPLETELY BEFORE PERFORMING STEP

WARNING: DO NOT OPERATE THIS MARKER WITH PARTS MISSING OR DAMAGED. If during the course of this installation, a part is lost or found to be damaged, *obtain a replacement part before continuing reassembly.*

The Flatline Barrel System Kit Contains:

- 1- Flatline Barrel System;
- 1- Flatline Barrel Plug;
- 1- Flatline Barrel Squeegie

Set up a table with plenty of space to work.

Tools You Will Need: 1/8" allen wrench & 3/16" allen wrench.
(Both allen wrenches were included in your A-5 accessory pack)

Step 1: Prepare Marker for Flatline Kit Installation

To do so, you must: (1- unload your marker; (2- remove CO² source; and (3- uncock marker before further disassembly.

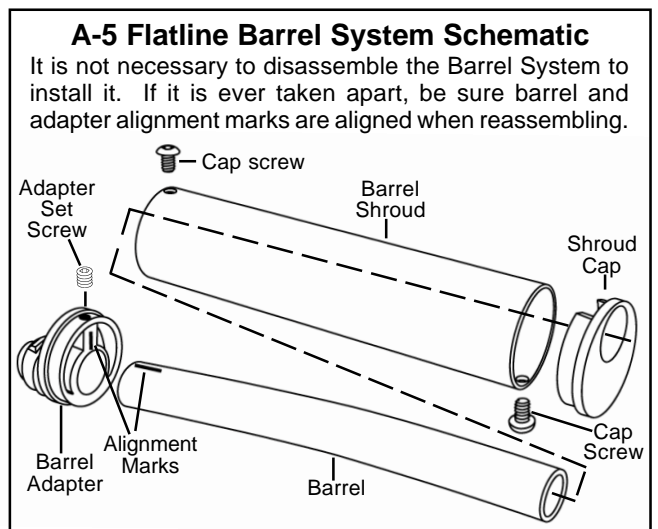
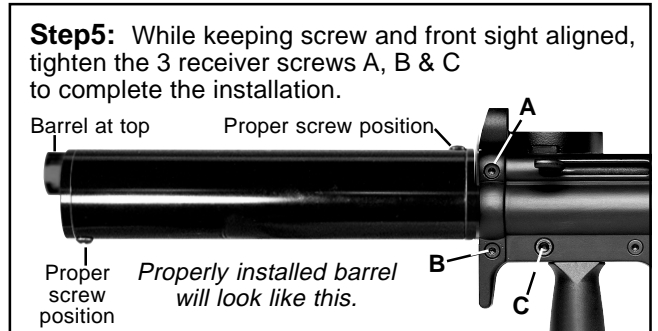
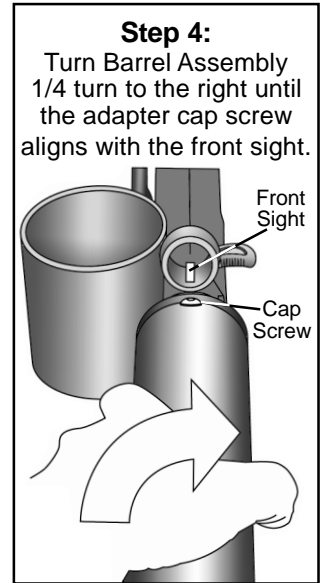
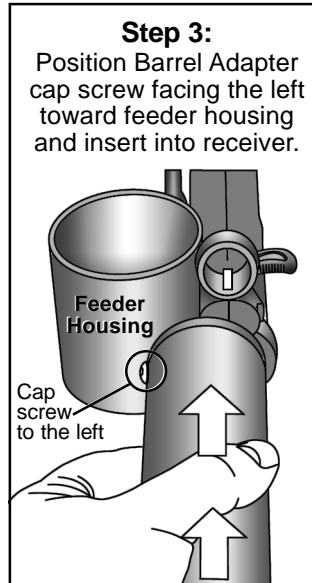
1) Unload your marker: first remove the hopper. Then, point your marker in a safe direction and fire several times to be sure there are no balls left in the feeder or lodged in the chamber.

2) Remove tank: To remove a charged CO² cylinder, turn the cylinder approximately 3/4 of a turn counterclockwise or out. This allows the tank pin valve to close so that no CO² will enter the marker. Point the marker in a safe direction and fire the remaining CO² in the marker by pulling the trigger until the marker stops firing. (This may take 4-5 shots)

If your marker keeps firing after you have turned the tank 3/4 of a turn, the tank pin valve has not closed yet and you may have to turn the tank counterclockwise a little further.

If you turn the tank 3/4 of a turn and it begins to leak before you pull the trigger you have turned it too far and may have damaged the tank o-ring.

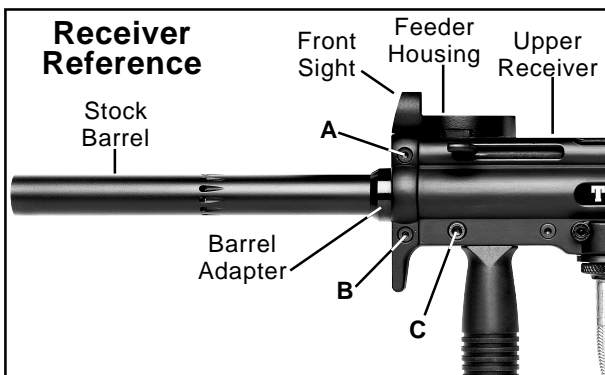
3) Put the marker in the uncocked position: hold the bolt cocking handle back - then pull the trigger and release handle forward to un-cock the marker.



Note: Eye protection designed for paintball use must be worn at all times when handling this marker by the user and any person within range.

Step 2: Remove A-5 Stock Barrel & Barrel Adapter

1) To remove stock barrel & barrel adapter as one unit, turn barrel to the right to tighten it into stock adapter.



2) Loosen 3 receiver bolts (A, B & C) then turn barrel/adapter to left and remove as one piece from upper receiver. Store removed barrel / barrel adapter, old squeegie and old barrel plug in a safe place. **(WARNING: Do not use old barrel plug in Flatline barrel. Old barrel plug is not designed for use with Flatline barrel and may shoot out causing injury.)**