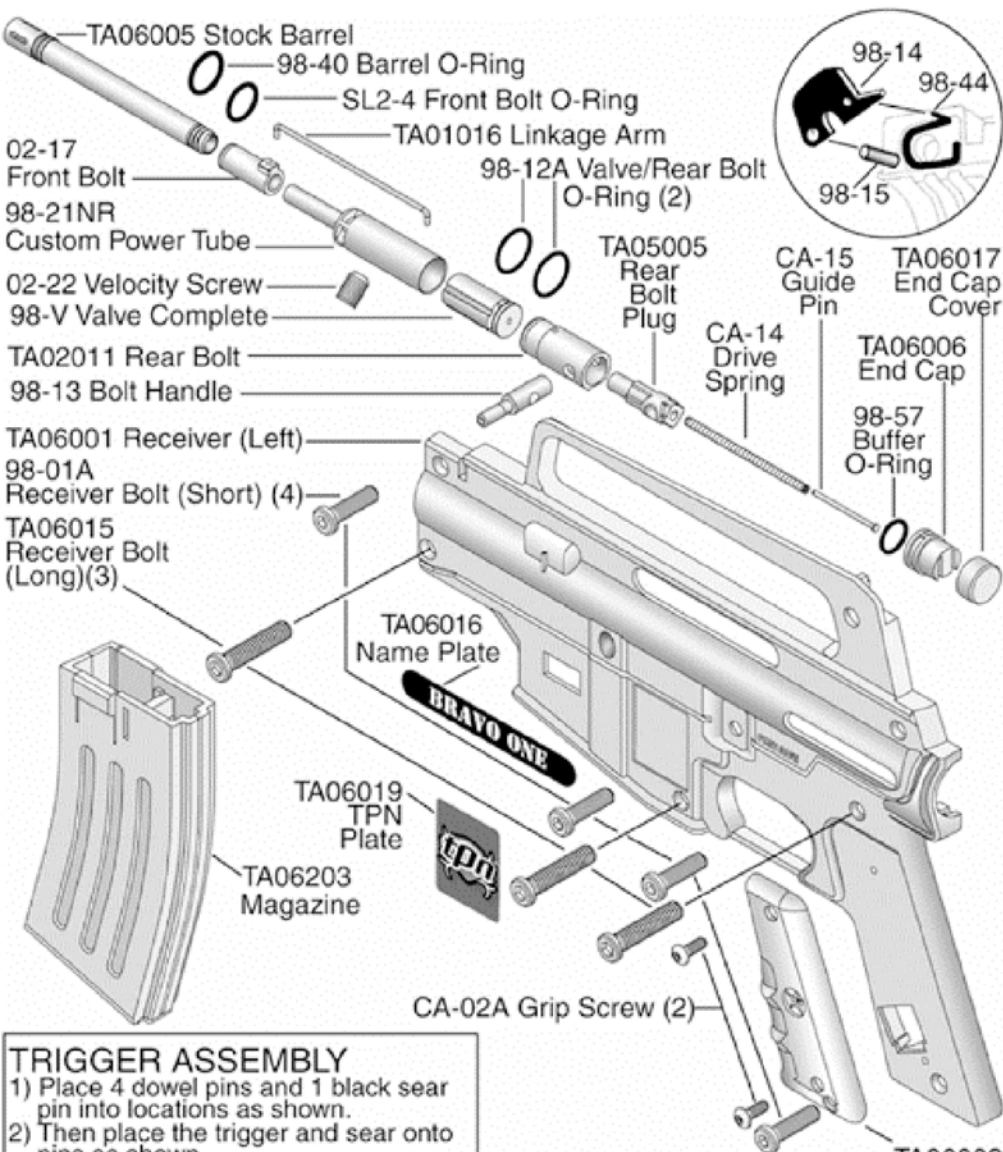


BRAVO ONE Basic Parts List



TRIGGER ASSEMBLY

- 1) Place 4 dowel pins and 1 black sear pin into locations as shown.
- 2) Then place the trigger and sear onto pins as shown.
- 3) Insert sear spring as shown.
- 4) Insert trigger spring (yellow) as shown.

98-20 Trigger Spring (Yellow)
 98-33 Pins (4)
 CA-36 Sear Pin (Black)
 02-35 Sear
 98-37N Safety
 TA02036 Sear Spring
 98-18 Slider (yellow slider spring 98-20 not visible)
 98-36A Trigger

INTERNAL VALVE PARTS:
Valve Disassembly Not Recommended

98-25N Valve Body
 SL2-25 Valve Seat O-Ring (2)
 PA-31A Valve Snap Ring
 98-56 Valve Plug
 98-32 Valve Spring
 98-PL Valve Plunger
 CA-27 Front Valve Seat

! WARNING
 DO NOT DISASSEMBLE THIS MARKER WHILE IT IS PRESSURIZED WITH AIR. DO NOT PRESSURIZE A PARTIALLY ASSEMBLED MARKER.

PL-42D Hopper Nut
 TA05052 Feed Latch Bolt (2)
 98-43 Feed Elbow Latch
 98-04 Feed Elbow
 98-04A Feed Elbow Pin (2)
 98-44 Feed Lock (Front sight) Spring
 98-15 Feed Lock (Front sight) Pin
 98-14 Feed Lock (Front sight)
 TA02021 Link Arm Pin (2)
 98-09N Gas Line
 98-20 Trigger / Return Slide Spring (Yellow) (2)
 02-35 Sear
 98-33 Receiver Dowel Pin (4)
 CA-36 Sear Pin (Black)
 98-19 Return Slide Dowel Pin (2)
 FA-07 Safety O-Ring (Black)
 98-37N Safety
 98-55 Safety O-Ring (Red)

PL-42C Hopper Bolt
 98-45 Flat Washer
 98-26 Valve Lock Bolt (2)
 TA05005 Power Tube Plug
 9-PA Receiver Nut (6)
 TA05004 Split Grip (Right)
 CA-02A Grip Screw (2)
 9-PA Nut
 TA06002 Receiver (Right)
 CA-08B Adapter Nut (2)
 98-06 Tank Adapter

PL-01A Adapter Bolt (short)
 98-06A Adapter Bolt (long)

Tipmann Service Department
1-800-533-4831
www.tippmann.com

REV 02/02/2008

1-800-533-4831 • www.tippmann.com