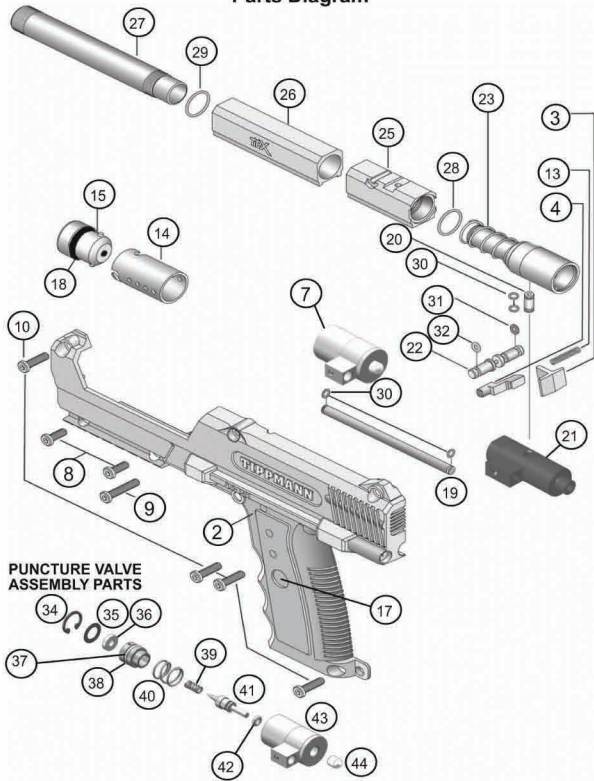
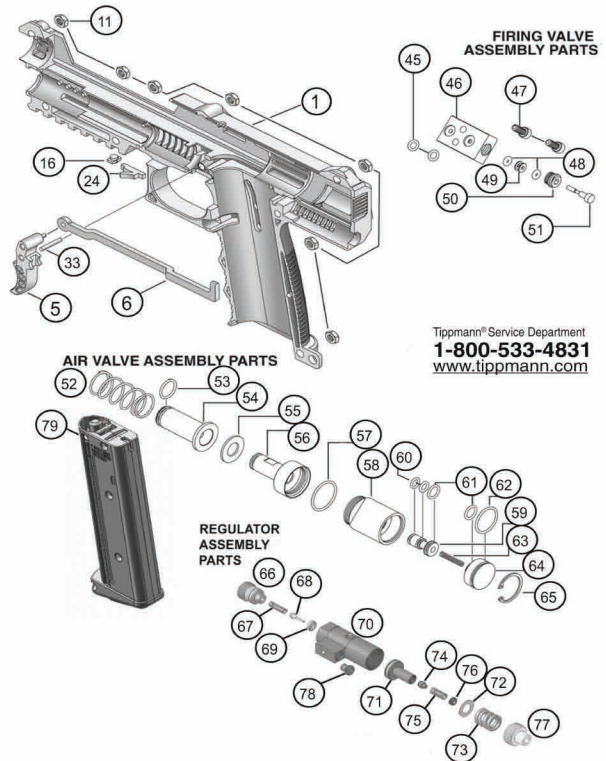




Parts Diagram



WARNING
Do not disassemble this marker while it is pressurized.
Do not pressurize a partially assembled marker.



Tippmann® Service Department
1-800-533-4831
www.tippmann.com

TiPX Marker Parts List

ITEM NO.	QTY.	PT. NO.	DESCRIPTION	ITEM NO.	QTY.	PT. NO.	DESCRIPTION	ITEM NO.	QTY.	PT. NO.	DESCRIPTION
1	1	TA20002	Receiver, Right Half	30	8	TA20050	O-ring	55	1	TA20077	Damper
2	1	TA20001	Receiver, Left Half	31	1	FA-07	Safety O-ring (black)	56	1	TA20016	Power Tube
3	1	TA20042	Magazine Release Actuator	32	1	98-55	Safety O-ring (red)	57	1	TA20010	O-ring
4	1	TA20040	Magazine Release	33	1	TA20063	Trigger Pin, Long	58	1	TA20009	Air Valve Body
5	1	TA20029	Trigger	Puncture Valve Assembly parts			59	1	TA20114	Valve Spool	
6	1	TA20037	Actuator Link	34	1	TA07089	Snap Ring	60	2	TA20003	O-ring
7	1	TA20124	Puncture Valve Complete	35	1	TA20069	Washer	61	2	SL2-25	O-ring
8	2	TA20036	LHSH Cap Screw	36	1	TA20034	Puncture Seal	62	1	98-12A	O-ring
9	1	TA07074	Bolt	37	1	SL2-25	O-ring	63	1	02-88	Spring
10	4	98-01A	LHSH Cap Screw	38	1	TA20115	Puncture Piston	64	1	TA20011	Air Valve End Cap
11	7	TA02060	Hex Nut	39	1	TA20015	Spring	65	1	TA20035	Retaining Ring
12	2	TA20108	Air Fitting	40	1	TA20048	Spring	Regulator Assembly parts			
13	1	TA20051	Spring	41	1	TA20031	Puncture Pin	66	1	TA20119	Regulator End Cap
14	1	TA20053	CO2 Cap Receiver Insert	42	1	TA20049	O-ring	67	1	02-88	Spring
15	1	TA20062	CO2 Cap	43	1	TA20094	Puncture Valve Body	68	1	TA20080	Regulator Pin
16	1	TA20043	Breech Window	44	1	TA20039	Puncture Pin Cap	69	1	TA20075	Regulator Pin Seat
17	1	TP01018	Tippmann "T" Jewel	Firing Valve Assembly parts			70	1	TA20093	Regulator Body	
18	1	18-PA	CO2 Cap O-ring	45	2	TA20047	O-ring	71	1	TA20120	Regulator Piston
19	1	TA20112	Gas Line, Long	46	1	TA20004	Firing Valve Body	72	1	TA20081	Wear Disk
20	1	TA20113	Gas Line, Short	47	2	TA20052	Screws	73	1	TA20038	Spring
21	1	TA20123	Regulator Complete	48	2	TA20008	O-ring	74	1	TA20118	Pressure Relief Seal Guide
22	1	TA20110	Safety	49	1	TA20014	Valve Bushing	75	1	TA20067	Spring
23	1	TA20105	Air Valve Complete	50	1	TA20030	Firing Valve Pin Guide	76	1	TA20068	Hollow Lock Set Screw
24	1	FA-18	Ball Latch	51	1	TA20005	Actuator Pin	77	1	TA20023	Regulator Adjustment Cap
25	1	TA20027	Barrel Adapter	Air Valve Assembly parts			78	1	TA20095	Regulator Plug	
26	1	TA20012	Barrel Shroud	52	1	TA20085	Front Bolt Spring	Magazine Assembly			
27	1	TA20006	TiPX Barrel	53	1	SL2-4	Front Bolt O-ring	79	1	TA20122	7 Ball True Feed Magazine
28	1	TA20046	O-ring	Air Valve Assembly parts							
29	1	02-40	O-ring	54	1	TA20109	Front Bolt				