

Figure 6: Receiver Covers



Figure 7: Feed Elbow, Barrel Adapter Clamp Ring, and ASA

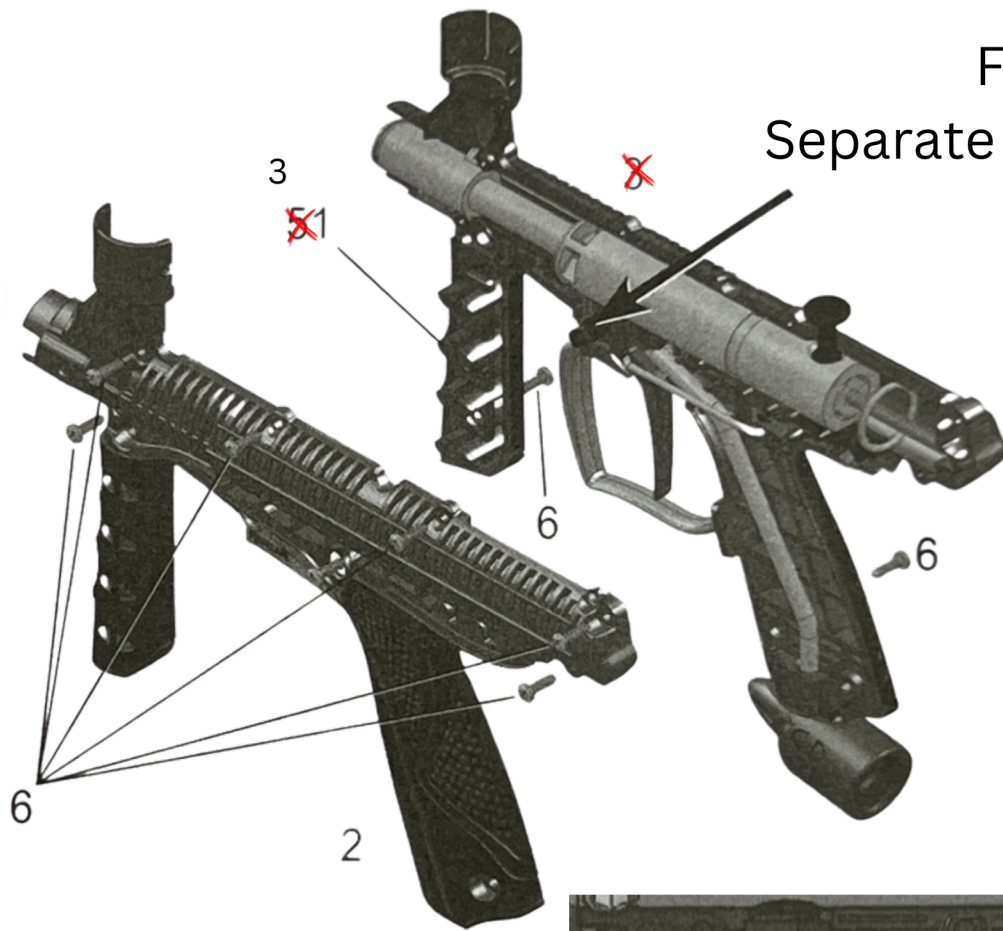
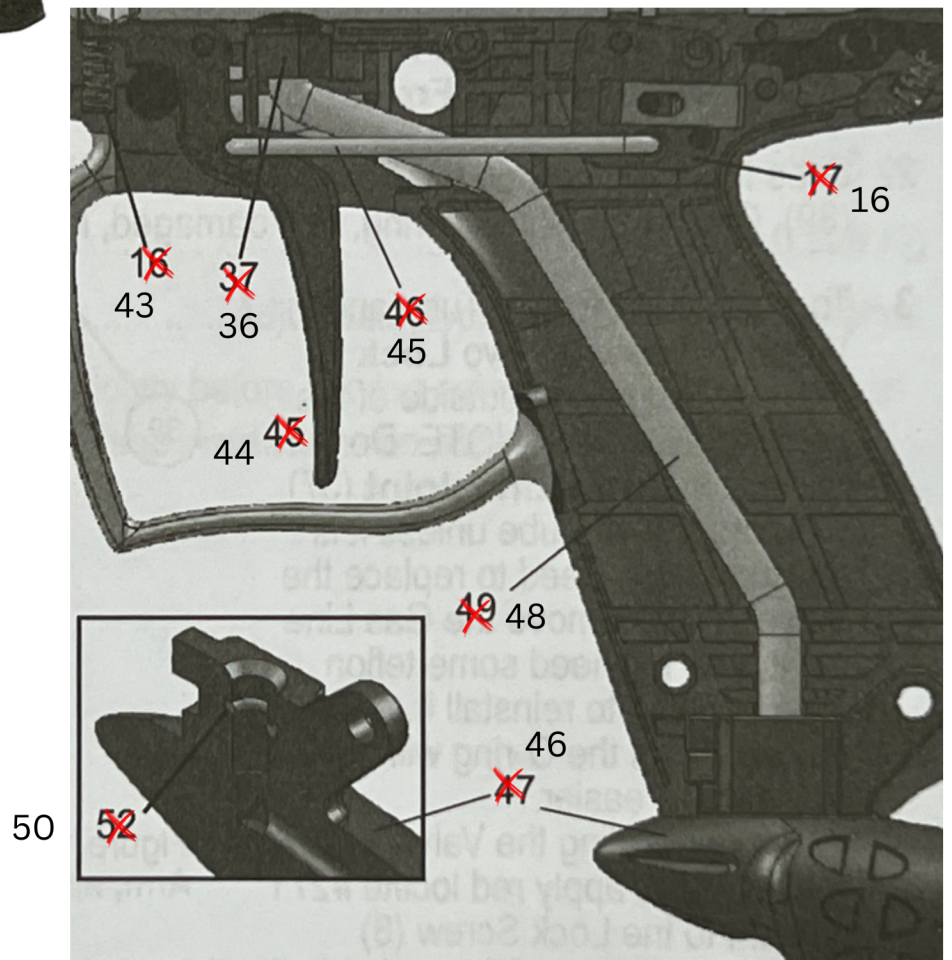


Figure 8:
Separate Receiver Halves

Figure 9:
Trigger Link,
Trigger,
Trigger Adapter



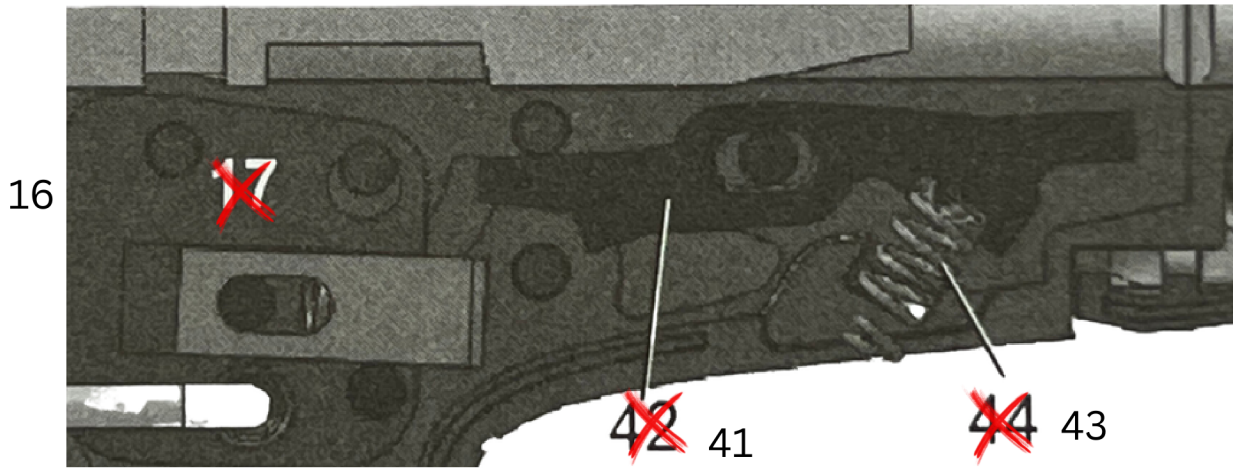


Figure 10: Location of the Trigger Adapter, Sear, and Sear Spring

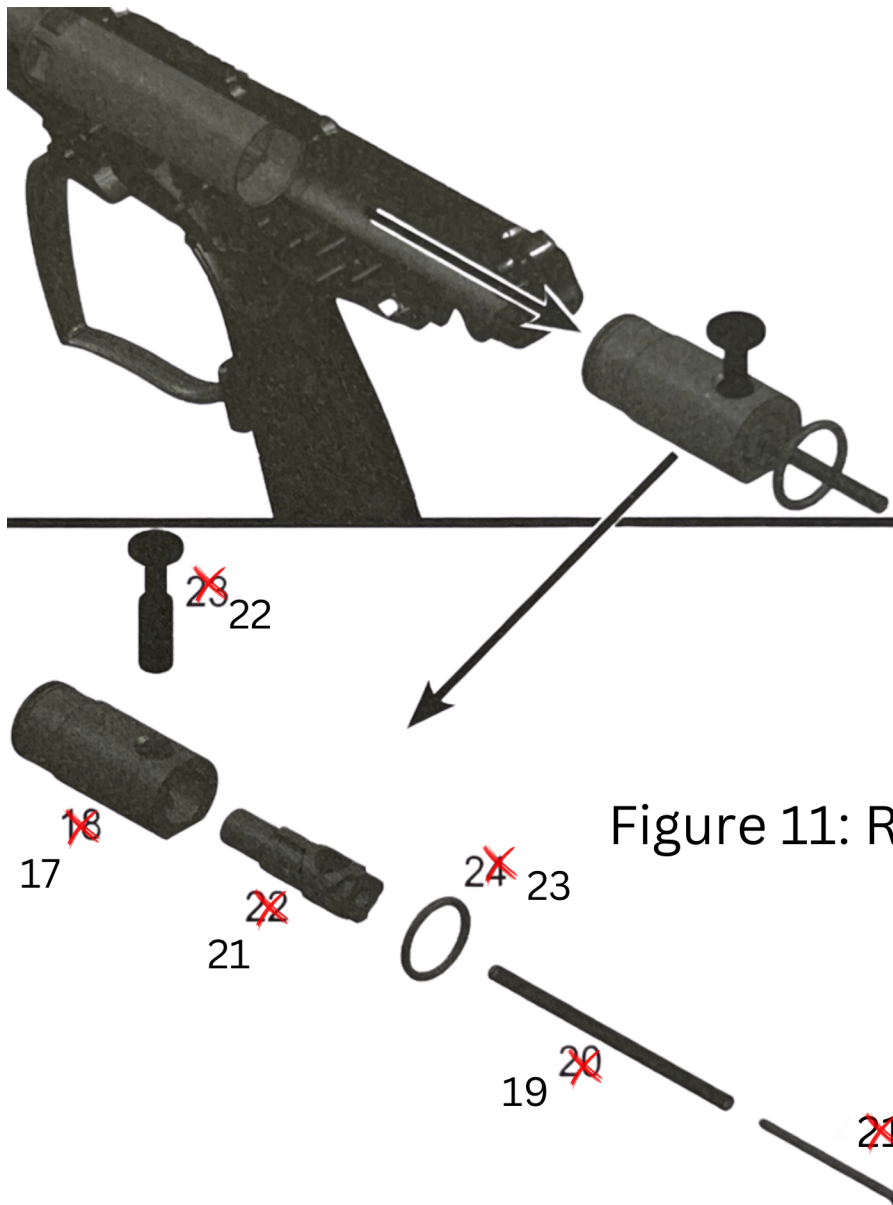


Figure 11: Remove Rear Bolt

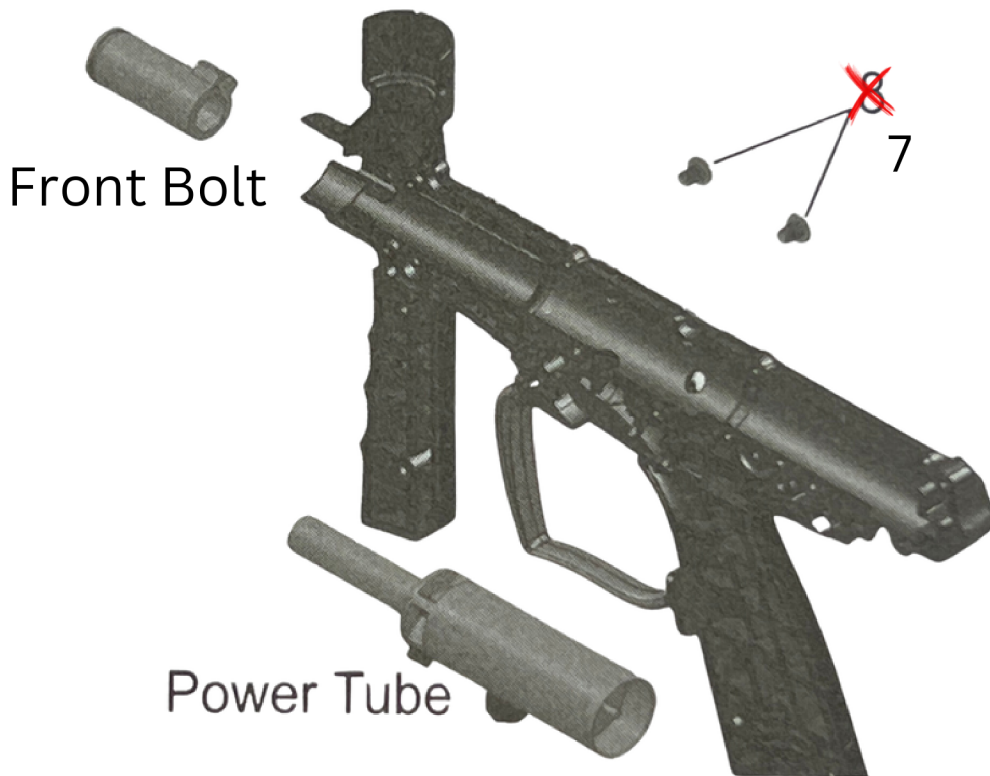
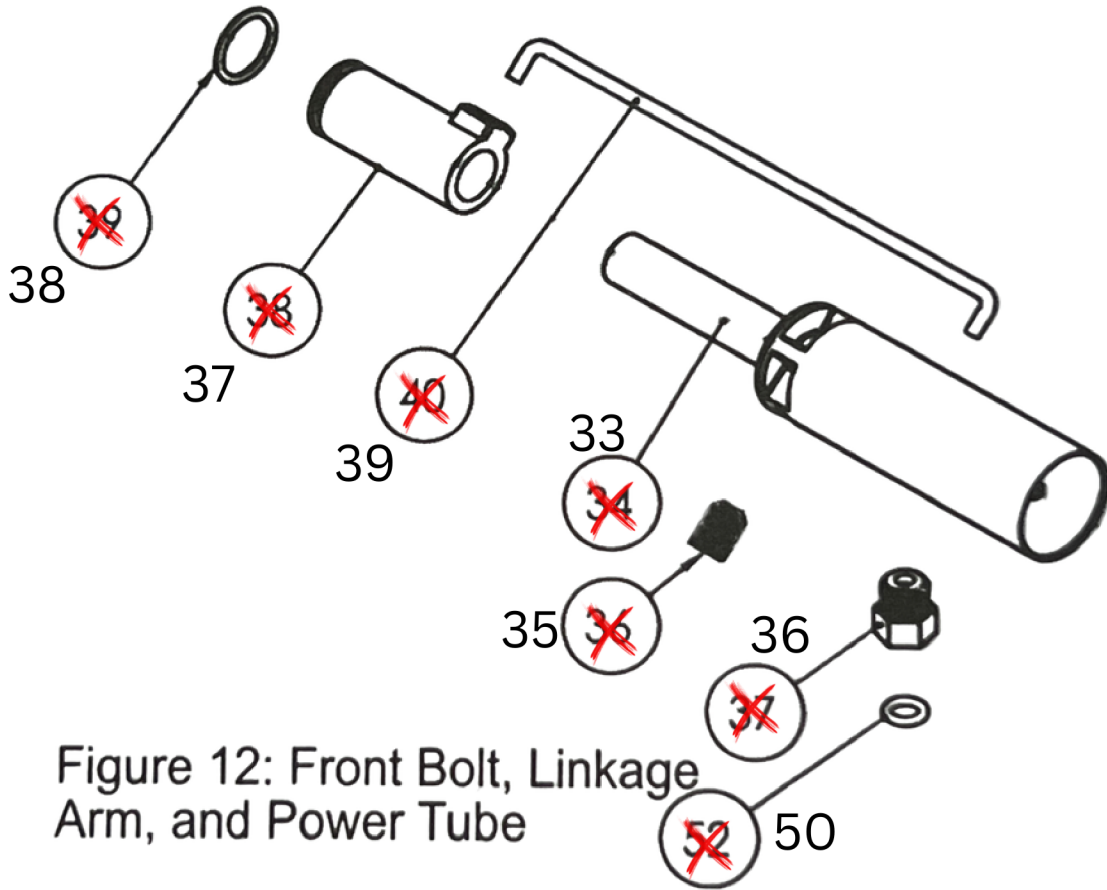
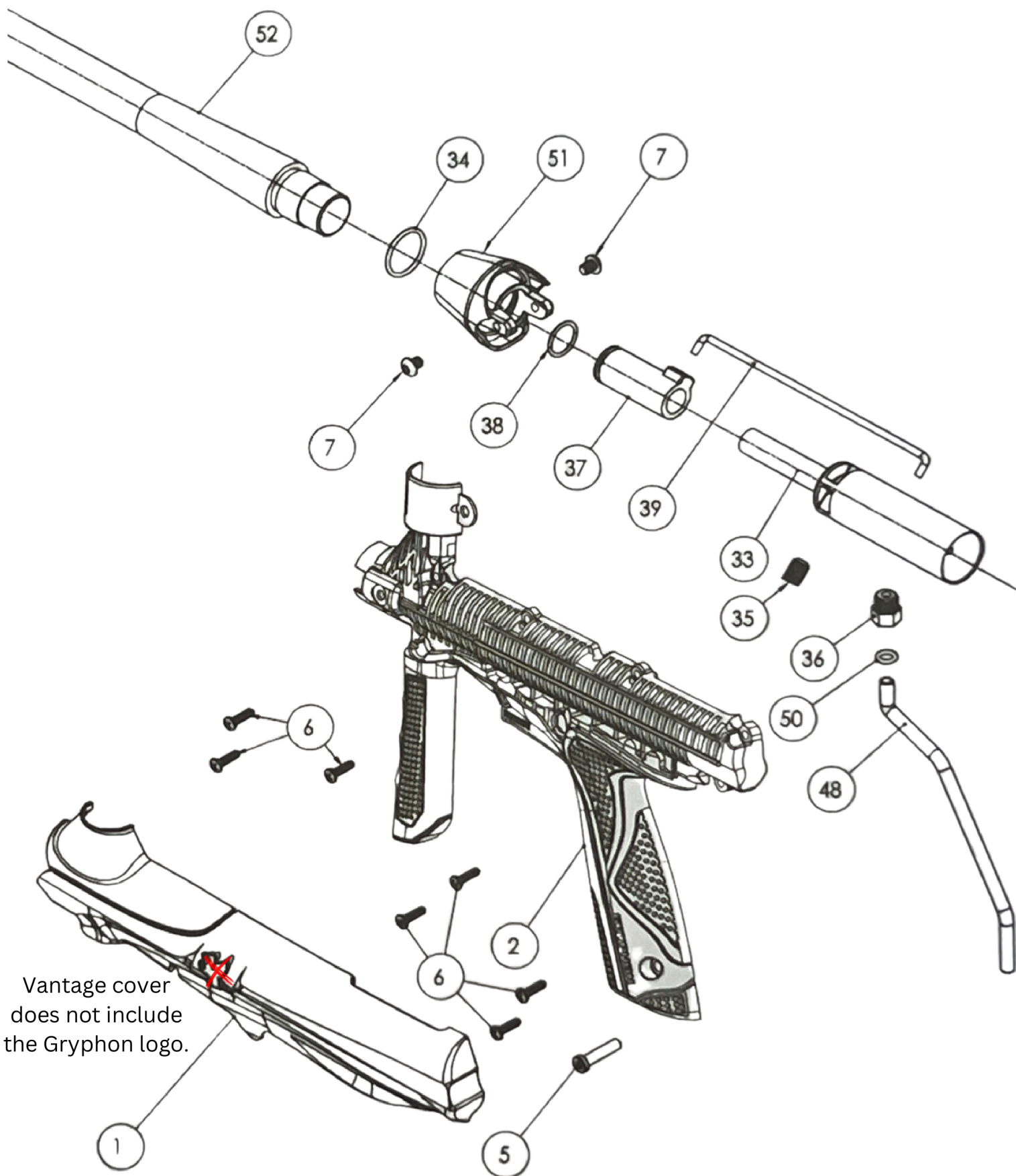
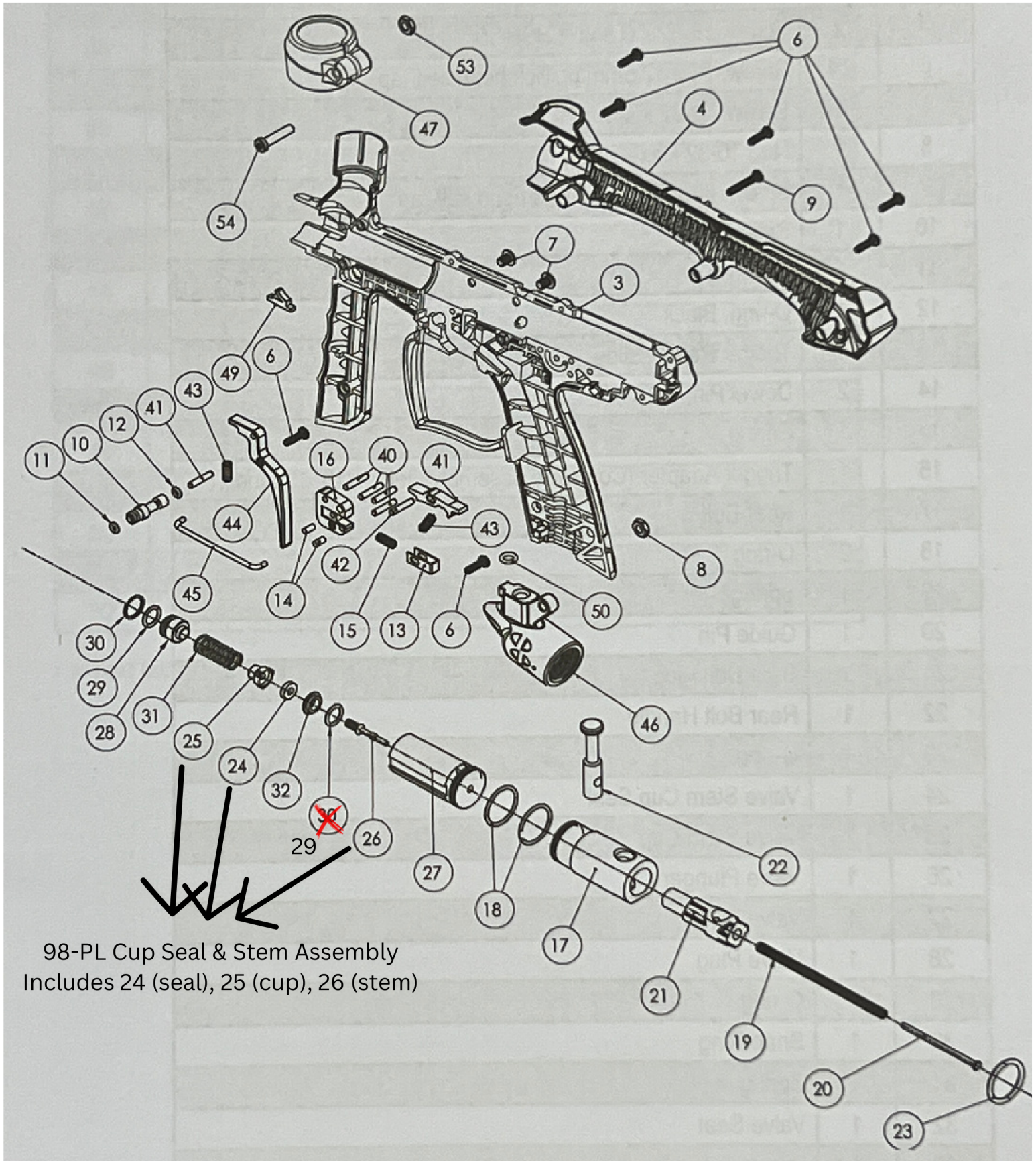


Figure 13: Remove Power Tube

Tippmann Vantage Diagram - TippmannParts.com



Vantage cover does not include the Gryphon logo.



98-PL Cup Seal & Stem Assembly
Includes 24 (seal), 25 (cup), 26 (stem)