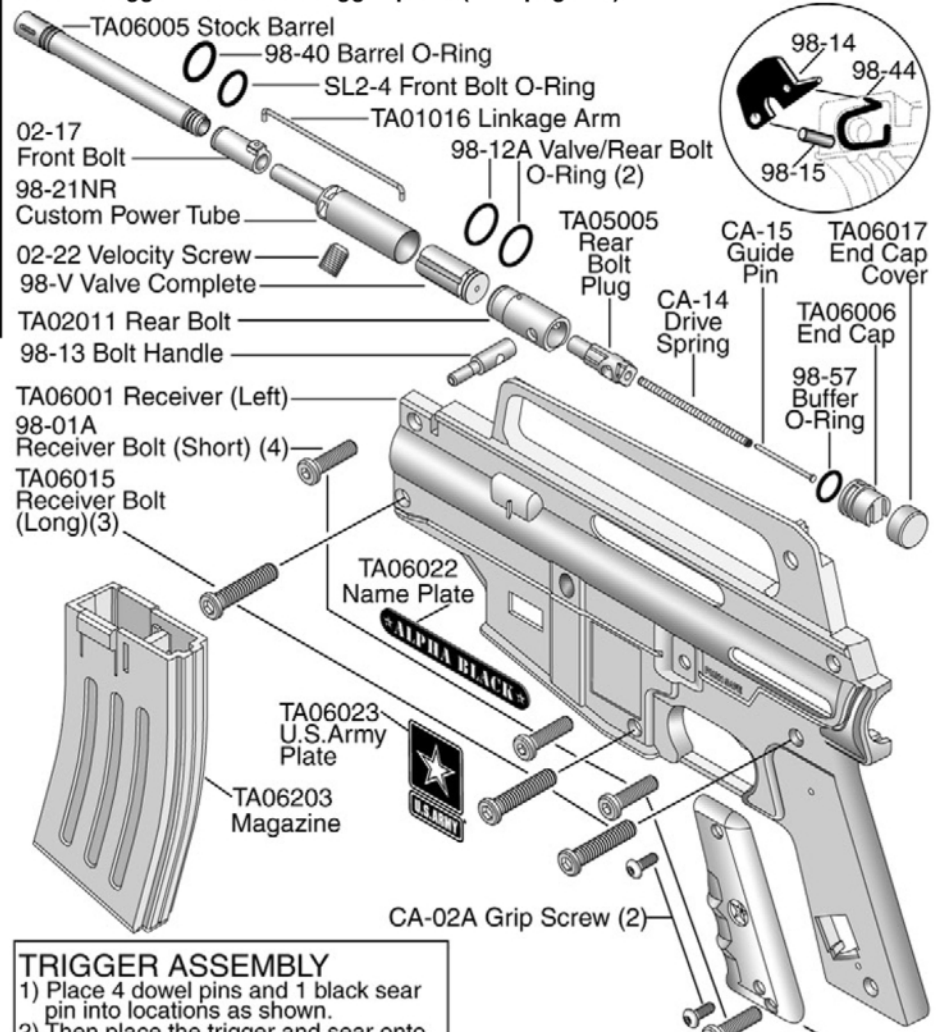


★ALPHA BLACK★ Basic Parts List

- For Tactical Edition markers Shroud and Collapsible stock parts (see page 16).
- For E-Trigger markers E-Trigger parts (see page 18).



TRIGGER ASSEMBLY

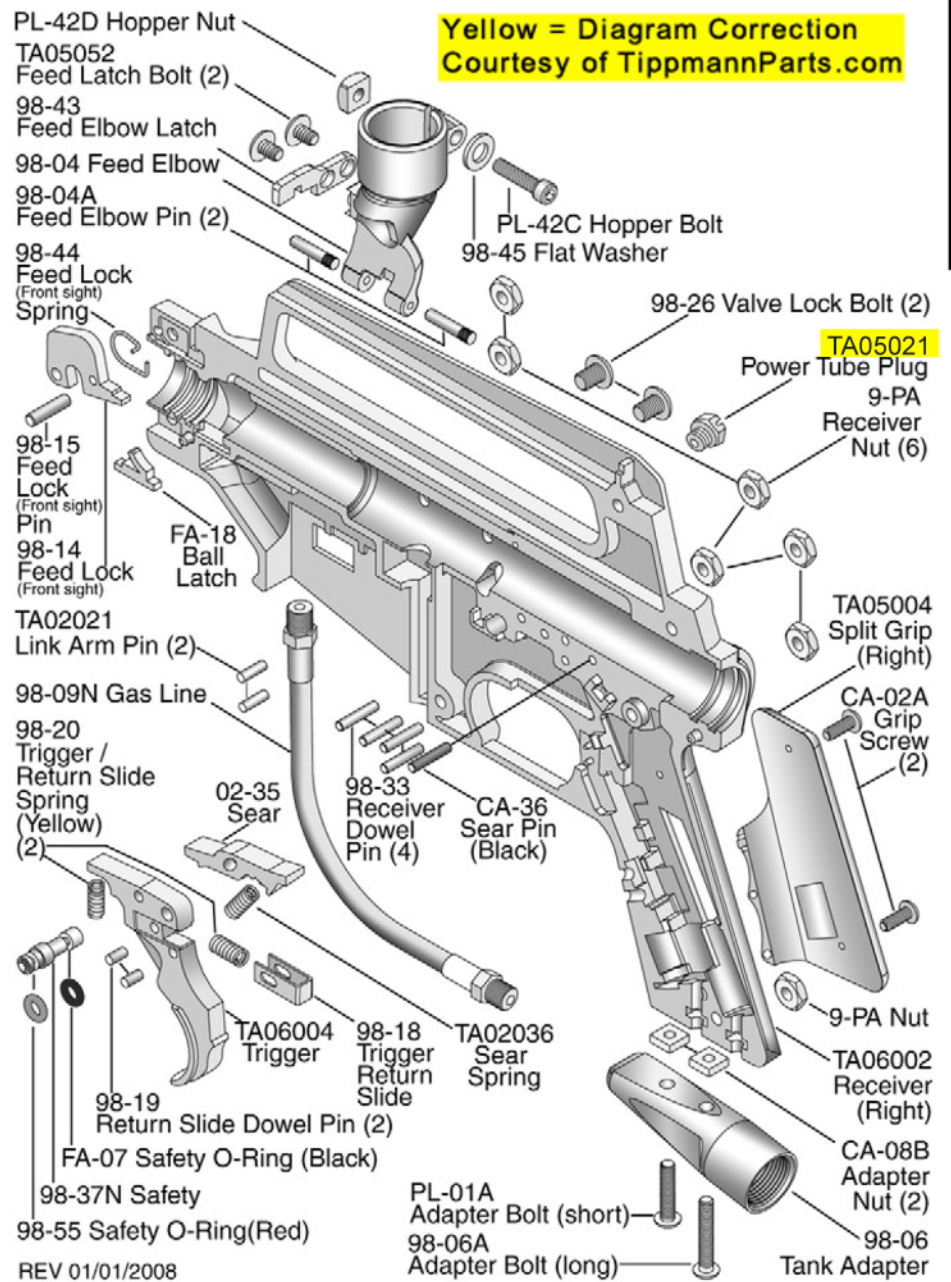
- 1) Place 4 dowel pins and 1 black sear pin into locations as shown.
- 2) Then place the trigger and sear onto pins as shown.
- 3) Insert sear spring as shown.
- 4) Insert trigger spring (yellow) as shown.

INTERNAL VALVE PARTS:
Valve Disassembly Not Recommended

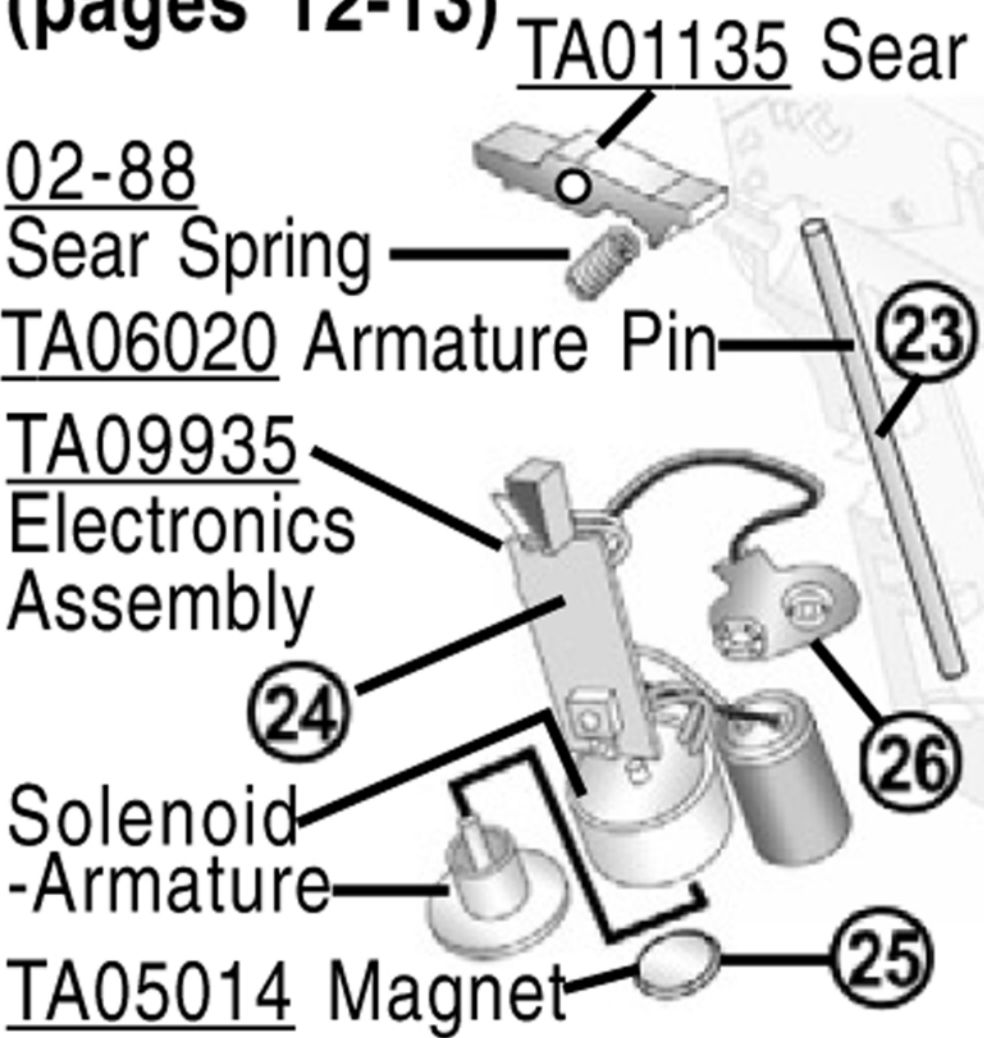
WARNING

DO NOT DISASSEMBLE THIS MARKER WHILE IT IS PRESSURIZED WITH AIR. DO NOT PRESSURIZE A PARTIALLY ASSEMBLED MARKER.

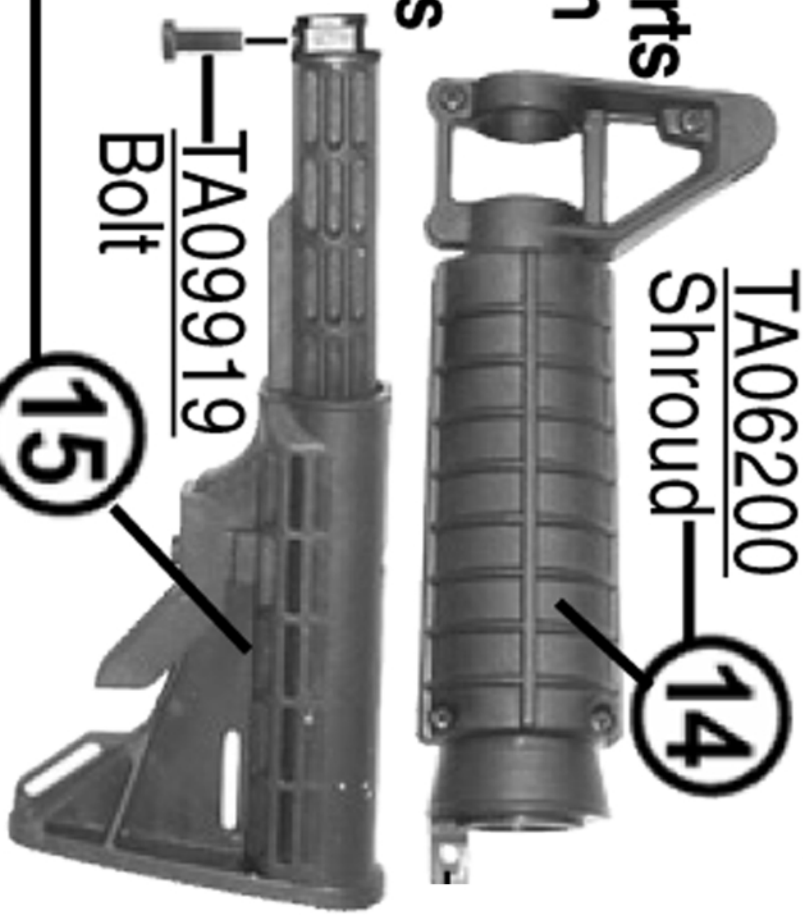
Yellow = Diagram Correction
Courtesy of TippmannParts.com



E-Trigger™ Parts Not Shown in Basic Parts List on (pages 12-13)



**Tactical
Edition parts
Not Shown
In Basic
Schematics**



**parts (on
pages
12-13).**

**Collapsible Stock Assembly
(Replaces End Cap Cover)**