

# V-MAX



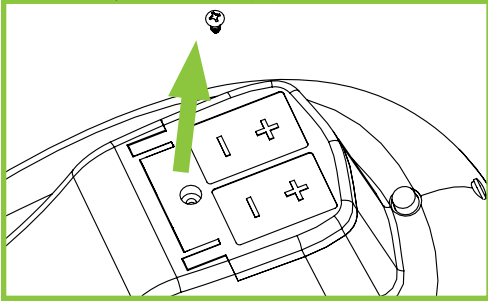
## Stats:

- Feeds 20+ BPS
- 220 ball capacity
- Ultra Lightweight
- Fast Tool-less Disassembly
- Quick-change lid
- Fast battery replacement
- One-Touch On/Off
- Uses two 9-Volt batteries

## QUICK SET-UP GUIDE

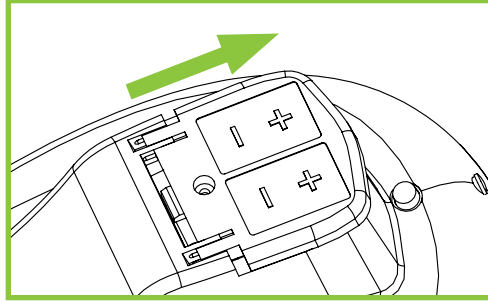
1. Install the batteries following the “Battery Installation” instructions on page 2.
2. Mount the V-Max loader onto your marker. Make sure the loader feedneck is pushed down as far as possible into your markers feedneck for the most secure fit. Be careful not to over tighten your markers feedneck as it may damage the feedneck of your V-Max loader.
3. Turn on your V-Max loader by pushing the On/Off button located on the rear of the loader under the LED light. You will hear the loader spin and the LED light will blink Green while turned on.
4. Fill your V-Max loader with paintballs and tap the On/Off button to prime the loader. This feeds the first few paintballs into the feedneck and breach of your marker.
5. If you empty your loader while playing, you may prime the V-Max again after reloading. This ensures that there are balls in the marker when you continue firing.
6. Turn off your V-Max Loader by pressing & holding the On/Off button for 2 seconds. Your V-Max Loader will automatically shut off after 1 hour of inactivity to save power.

## BATTERY INSTALLATION

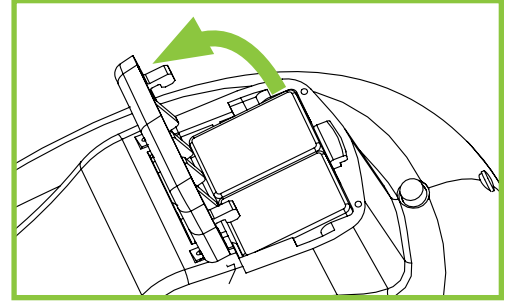


1. Remove the single screw on the underside of the battery door.

NOTE: This screw is optional and not needed to retain the battery door.

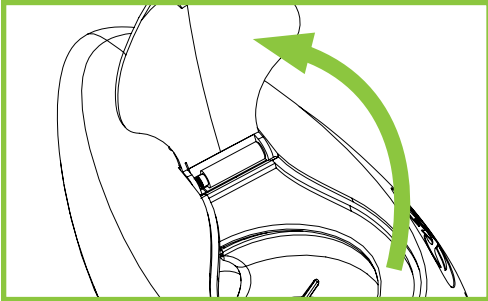


2. Slide the battery door toward the rear of the loader.

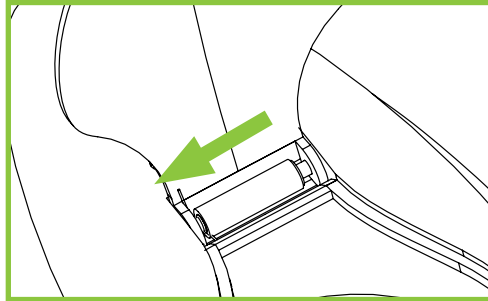


3. Open the battery door and load two 9-Volt batteries according to the diagram on the outside of the battery door. Close the battery door and replace optional screw if desired.

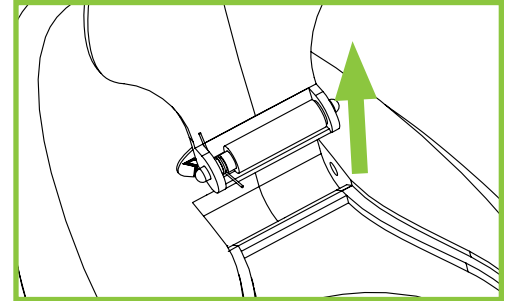
## REMOVING THE LID



1. Open the lid.

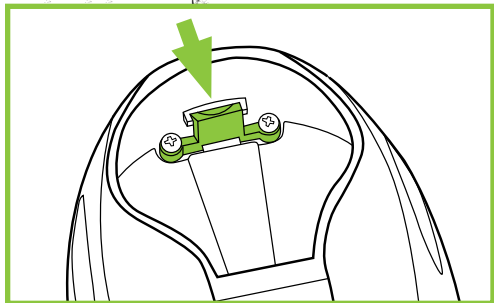


2. Push the hinge pin barrel to the left to disengage the right side of the lid hinge.



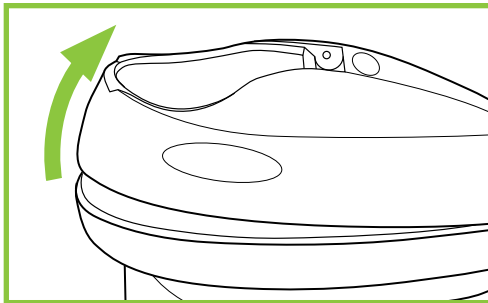
3. Pull the right side of the hinge upward and rotate the left side of the hinge out of the socket in the top shell.

# Disassembly

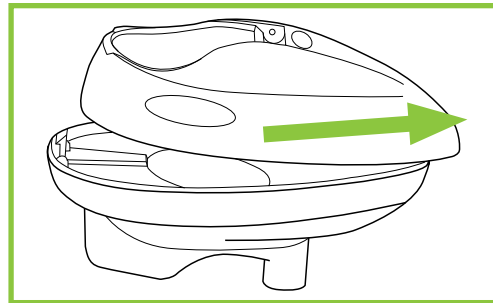


1. Press down on the rear latch on the interior of the loader toward the front of the loader.

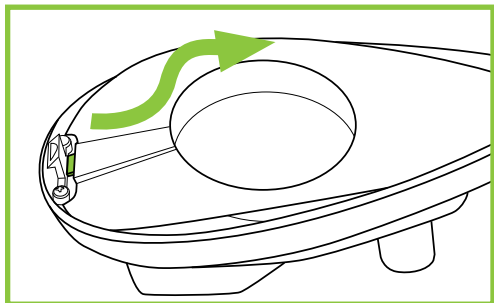
NOTE: The latch is under constant tension.



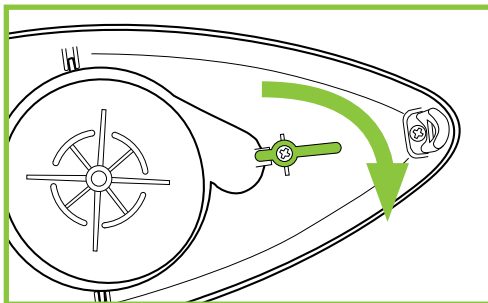
2. Lift the top shell while the rear latch is pressed forward until the top shell is free.



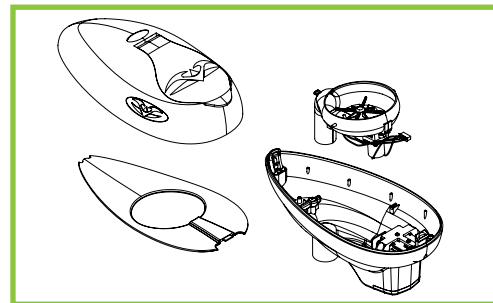
3. Push the top shell forward to disengage the front latch and remove the top shell completely.



4. Remove the center plate by gripping the inside edge and top of the plate. Pull the tab out from under the rear latch, then the front latch, to free the plate.



5. Remove the Drive Assembly by rotating the cup latch 90 degrees and disconnecting the wiring harness.



6. Clean any paint from the loader and interior with a non abrasive cloth.

**Warning:** Do not get the board or electrical components wet.

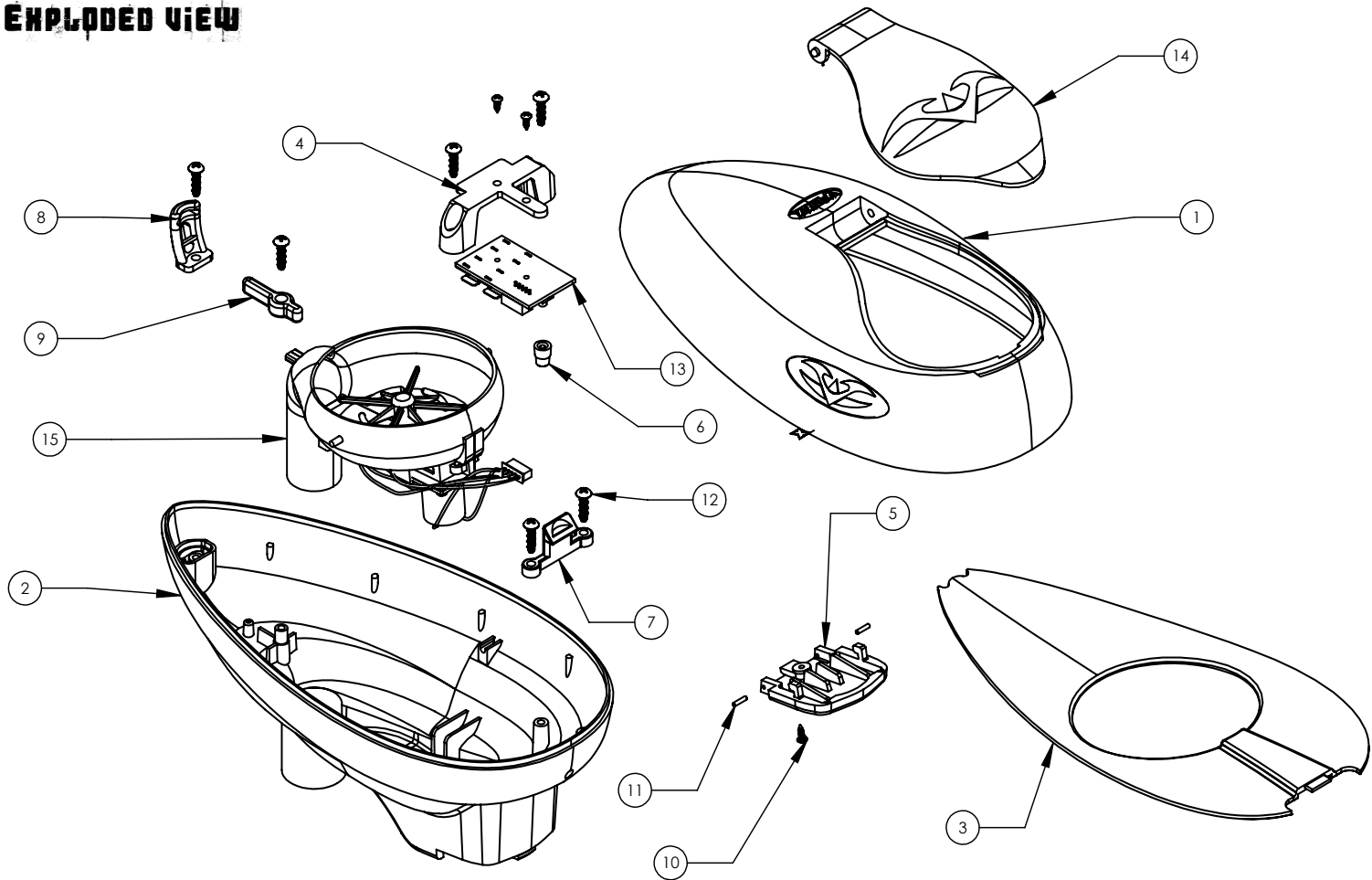
## TROUBLESHOOTING

- My V-Max Loader will not turn on when pressing the On/Off button.
  - Check the batteries for correct polarity alignment.
  - Check the battery strength & replace with fresh, name-brand batteries if necessary.
  - Contact Valken if further problems persist.
- I am breaking paintballs in my V-Max Loader.  
Make sure to use fresh, quality paintballs in your V-Max Loader.
- My V-Max Loader is slow or not performing as usual.  
Make sure the loader is clean and replace the batteries with fresh, name-brand batteries.

## CLEANING & MAINTENANCE

- The V-Max Loader should be disassembled and cleaned if:
  - A paintball is broken in the loader or paint/shell fragments enter the loader.
  - When dirt or debris enters the loader.
  - For routine cleaning every few days of play.
- The V-Max Loader should be disassembled and cleaned using a non-abrasive cloth. If there is still paint residue, use a damp cloth to remove the remaining paint. **warning:** Do not get the board or electrical components wet. Be sure the loader is completely dry before reassembling.
- The V-Max Loader requires fresh, quality name-brand batteries to achieve optimum performance. The batteries will need to be regularly replaced to get the highest performance from your V-Max Loader.

# EXPLODED VIEW



## PARTS LIST

ITEM NO.	PART NUMBER	DESCRIPTION	Default/ QTY.
1	VM-P0001	TOP SHELL	1
2	VM-P0002	BOTTOM SHELL	1
3	VM-P0006	PLATE	1
4	VM-P0009	BATTERY HOLD DOWN	1
5	VM-P0010	BATTERY DOOR	1
6	VM-P0013	ON/OFF BOTTON	1
7	VM-P0014	LATCH HOOK REAR	1
8	VM-P0015	LATCH HOOK FRONT	1
9	VM-P0042	CUP LATCH	1
10	VM-P0011	#2 X .25 SCREW 8-18 SS	3
11	VM-P0037	.0625 X .270 DOWEL PIN	2
12	VM-P0040	6-19 X .500 SCREW 8-18 SS	6
13	VM-P0018	PCB MAIN BOARD	1
14	VM-A0005	LID ASSEMBLY	1
15	VM-A0003	DRIVE ASSEMBLY	1

## WARNING! important safety instructions

- Misuse of paintball equipment may cause serious injury or death.
- Read, understand and follow all directions in the V-Max Loader owner's manual.
- You must wear eye protection that is designed specifically for paintball and meets astm/ce standards and make sure all persons within range wear the same eye protection.
- You should be 18 years old to purchase and/or operate this loader unless an adult is supervising you.
- Make sure you understand all instructions. If you are unsure how to make adjustments, call Valken or your local pro shop for help.