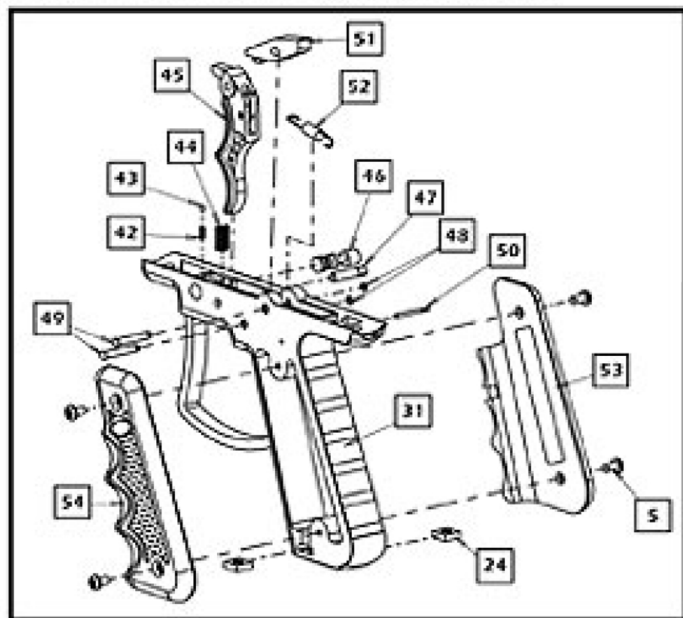


**GRIP FRAME ASSEMBLY**



**genesis**  
**V-Surge**  
 SEMI-AUTO  
**MODEL 2052**

**PARTS LIST**

<b>Key</b>	<b>Part No.</b>	<b>Description</b>			
01	164377-000	Receiver/Feed Port Assembly	25	130923-000	Braided Hose
02	136952-000	O-Ring	26	130739-000	O-Ring
03	164395-000	Cocking Rod Assembly Bolt	27	130812-000	Bottom Line Screws
04	137527-000	O-Ring	28	130898-000	Bottom Line Adapter
05	130726-000	Panel Screw	29	130815-000	Retaining Screws
06	130803-000	Connecting Pin	30	130806-000	Lock Washer
07	130974-000	Valve Body	31	130823-000	Grip Frame
08	130731-000	O-Ring (Striker)	32	131033-000	Ball Stop Cover
09	130805-000	Valve Set Screw	33	131032-000	Ball Stop
10	164365-000	Valve Stem & Cup Seal Assembly	34	130743-000	Ball Stop Screw
11	130811-000	Valve Guide	35	131038-000	Sight Rail
12	130814-000	Valve Spring	36	130790-000	Expansion Chamber - Upper
13	130895-000	C/A Adapter	37	130897-000	Expansion Chamber - Lower
14	130896-000	Barrel	38	130810-000	Set Screw
15	130894-000	Volumizer Plug	39	130730-000	Spring Retainer Plug
16	130797-000	Striker	40	130728-000	Screw (Receiver)
17	130784-000	Striker Spring	41	130727-000	Screen Filter
18	137631-000	Spacer	42	130780-000	Detent Ball Spring
19	130808-000	Spring Guide	43	130781-000	Detent Ball
20	131081-000	Bumper	44	130778-000	Trigger Spring
21	130951-000	Striker Plug	45	130802-000	Trigger Assembly
22	137629-000	O-Ring (Velocity Screw)	46	130766-000	Safety
23	137627-000	Velocity Adjustment Screw	47	130770-000	Trigger Pivot Pin
24	137539-000	Square Nut	48	130884-000	O-Ring (Trigger Pivot Pin)
			49	130883-000	Sear Pin
			50	130772-000	Sear Spring Pin
			51	130776-000	Sear
			52	130779-000	Sear Spring
			53	130819-000	Right Grip Panel
			54	130818-000	Left Grip Panel
			N/S	130738-000	Take Down Wrench 3/16"
			N/S	137659-000	Allen Wrench 1/8"
			N/S	981201-306	Tune-up Kit
			N/S	164382-000	Drop Forward Assy